

# A-INLE-M32-N-S - EMC nut

1411271

<https://www.phoenixcontact.com/us/products/1411271>

Please be informed that the data shown in this PDF document is generated from our online catalog. Please find the complete data in the user documentation. Our general terms of use for downloads are valid.

EMC nut, for threads M32 x 1.5, color: silver-colored



## Commercial data

|                                      |               |
|--------------------------------------|---------------|
| Item number                          | 1411271       |
| Packing unit                         | 50 pc         |
| Minimum order quantity               | 100 pc        |
| Sales key                            | BF68          |
| Product key                          | AF7DZX        |
| GTIN                                 | 4046356924023 |
| Weight per piece (including packing) | 13.673 g      |
| Weight per piece (excluding packing) | 12.84 g       |
| Customs tariff number                | 74198090      |
| Country of origin                    | IN            |

# A-INLE-M32-N-S - EMC nut

1411271

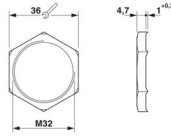
<https://www.phoenixcontact.com/us/products/1411271>

## Technical data

### Product properties

|              |          |
|--------------|----------|
| Product type | Flat nut |
| Thread type  | M32      |

### Dimensions

|                             |  |
|-----------------------------|--|
| Dimensional drawing         |  |
| Length                      | 5.7 mm   |
| Diameter                    | 32 mm  |
| Connecting thread diameter  | 32 mm  |
| Wrench size, counter nut    | 36 mm  |
| Hexagon angular dimension   | 40 mm  |
| Thread type connection side | M32 x 1.5  |
| Thread pitch                | 1.5 mm   |

### Material specifications

|          |                      |
|----------|----------------------|
| Material | Brass, nickel-plated |
|----------|----------------------|

### Cable/line

|              |     |
|--------------|-----|
| Halogen-free | yes |
|--------------|-----|

### Environmental and real-life conditions

#### Ambient conditions

|                                 |                   |
|---------------------------------|-------------------|
| Ambient temperature (operation) | -70 °C ... 220 °C |
|---------------------------------|-------------------|

### Mounting

|               |   |
|---------------|---|
| Assembly note | for EMC cable glands, for removing a non-conductive surface coating |
|---------------|---|

# A-INLE-M32-N-S - EMC nut

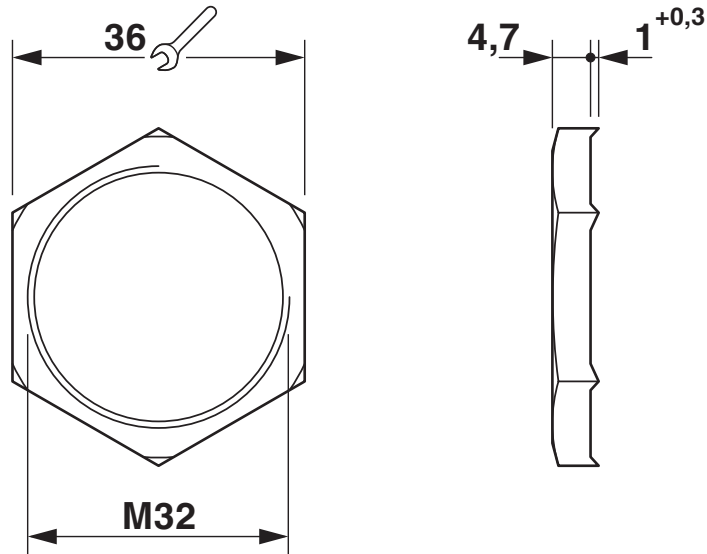
1411271

<https://www.phoenixcontact.com/us/products/1411271>



## Drawings

Dimensional drawing



# A-INLE-M32-N-S - EMC nut



1411271

<https://www.phoenixcontact.com/us/products/1411271>

## Classifications

### ECLASS

|             |          |
|-------------|----------|
| ECLASS-13.0 | 27140807 |
| ECLASS-15.0 | 27140807 |

### ETIM

|           |          |
|-----------|----------|
| ETIM 10.0 | EC003608 |
|-----------|----------|

### UNSPSC

|             |          |
|-------------|----------|
| UNSPSC 21.0 | 31161700 |
|-------------|----------|

# A-INLE-M32-N-S - EMC nut



1411271

<https://www.phoenixcontact.com/us/products/1411271>

## Environmental product compliance

### EU RoHS

|   |      |
|---|------|
| Fulfills EU RoHS substance requirements | Yes  |
| Exemption                               | 6(c) |

### China RoHS

|  |   |
|--|---|
| Environment friendly use period (EFUP) | EFUP-50   |
|  | An article-related China RoHS declaration table can be found in the download area for the respective article under "Manufacturer declaration". For all articles with EFUP-E, no China RoHS declaration table issued and required. |

### EU REACH SVHC

|                                     |                                      |
|-------------------------------------|--------------------------------------|
| REACH candidate substance (CAS No.) | Lead(CAS: 7439-92-1)                 |
| SCIP                                | 17a420ff-a7e7-4b63-892b-07197ad9465b |

Phoenix Contact 2026 © - all rights reserved  
<https://www.phoenixcontact.com>

Phoenix Contact USA  
586 Fulling Mill Road  
Middletown, PA 17057, United States  
(+717) 944-1300  
[info@phoenixcon.com](mailto:info@phoenixcon.com)