

# A-INLE-M16-N-S - EMC nut

1411268

<https://www.phoenixcontact.com/us/products/1411268>

Please be informed that the data shown in this PDF document is generated from our online catalog. Please find the complete data in the user documentation. Our general terms of use for downloads are valid.

EMC nut, for threads M16 x 1.5, color: silver-colored



## Commercial data

Item number	1411268
Packing unit	100 pc
Minimum order quantity	100 pc
Sales key	BF68
Product key	AF7DZX
GTIN	4046356923996
Weight per piece (including packing)	3.56 g
Weight per piece (excluding packing)	3.476 g
Customs tariff number	74198090
Country of origin	DE

# A-INLE-M16-N-S - EMC nut

1411268

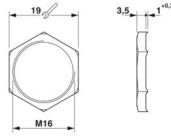
<https://www.phoenixcontact.com/us/products/1411268>

## Technical data

### Product properties

Product type	Flat nut
Thread type	M16

### Dimensions

Dimensional drawing	
Length	4.7 mm
Diameter	16 mm
Connecting thread diameter	16 mm
Wrench size, counter nut	19 mm
Hexagon angular dimension	21 mm
Thread type connection side	M16 x 1.5
Thread pitch	1.5 mm

### Material specifications

Material	Brass, nickel-plated
----------	----------------------

### Cable/line

Halogen-free	yes
--------------	-----

### Environmental and real-life conditions

#### Ambient conditions

Ambient temperature (operation)	-70 °C ... 220 °C
---------------------------------	-------------------

### Mounting

Assembly note	for EMC cable glands, for removing a non-conductive surface coating
---------------	---

# A-INLE-M16-N-S - EMC nut

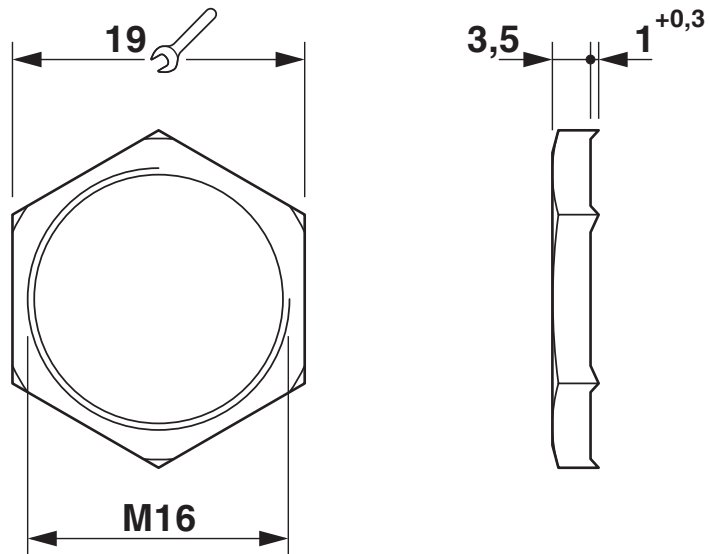
1411268

<https://www.phoenixcontact.com/us/products/1411268>



## Drawings

Dimensional drawing



# A-INLE-M16-N-S - EMC nut

1411268

<https://www.phoenixcontact.com/us/products/1411268>



## Classifications

### ECLASS

ECLASS-13.0	27140807
ECLASS-15.0	27140807

### ETIM

ETIM 10.0	EC003608
-----------	----------

### UNSPSC

UNSPSC 21.0	31161700
-------------	----------

# A-INLE-M16-N-S - EMC nut



1411268

<https://www.phoenixcontact.com/us/products/1411268>

## Environmental product compliance

### EU RoHS

Fulfills EU RoHS substance requirements	Yes
Exemption	6(c)

### China RoHS

Environment friendly use period (EFUP)	EFUP-50
	An article-related China RoHS declaration table can be found in the download area for the respective article under "Manufacturer declaration". For all articles with EFUP-E, no China RoHS declaration table issued and required.

### EU REACH SVHC

REACH candidate substance (CAS No.)	Lead(CAS: 7439-92-1)
SCIP	79b212f1-42cb-45e0-a72d-722736172656

Phoenix Contact 2026 © - all rights reserved

<https://www.phoenixcontact.com>

Phoenix Contact USA  
586 Fulling Mill Road  
Middletown, PA 17057, United States  
(+717) 944-1300  
[info@phoenixcon.com](mailto:info@phoenixcon.com)