

HC-K-KV-M20(5-13)BK - Cable gland



1411261

<https://www.phoenixcontact.com/us/products/1411261>

Please be informed that the data shown in this PDF document is generated from our online catalog. Please find the complete data in the user documentation. Our general terms of use for downloads are valid.



Plastic screw connection, IP68, up to 5 bar, thread length: 8 mm, cable diameter: 5 - 13 mm, WAF 24, screw connection: M20

Commercial data

Item number	1411261
Packing unit	10 pc
Minimum order quantity	10 pc
Product key	AF7DCX
GTIN	4046356914123
Weight per piece (including packing)	10.64 g
Weight per piece (excluding packing)	10.24 g
Country of origin	DE

HC-K-KV-M20(5-13)BK - Cable gland

1411261

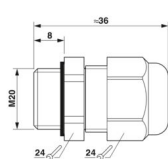
<https://www.phoenixcontact.com/us/products/1411261>

Technical data

Product properties

Product type	Cable screw gland
No. of conductors	1
Type of the screw connection	M20
Shielded	no

Dimensions

Dimensional drawing	
Length	28 mm
Length of the connecting thread	8 mm
Wrench size, union nut	24 mm
Wrench size, support	24 mm
Hexagon angular dimension	26.5 mm
Thread type connection side	M20 x 1.5
Thread pitch	1.5 mm

Connection data

Tightening torque	2.7 Nm (Union nut)
	2.7 Nm (Support sleeve)

Material specifications

Color	black (RAL 9005)
Flammability rating according to UL 94	V2
Seal material	CR/NBR
	TPE
Material for screw connection	PA

Cable/line

External cable diameter Cable 1	5 mm ... 13 mm
---------------------------------	----------------

Environmental and real-life conditions

Ambient conditions

Degree of protection	IP68 (up to 5 bar)
Ambient temperature (operation)	-20 °C ... 100 °C

HC-K-KV-M20(5-13)BK - Cable gland

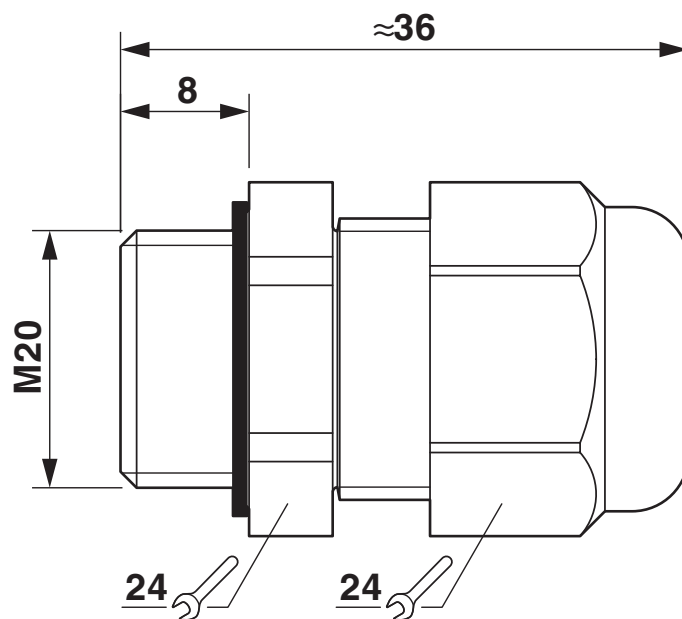
1411261

<https://www.phoenixcontact.com/us/products/1411261>



Drawings

Dimensional drawing



Dimensional drawing

HC-K-KV-M20(5-13)BK - Cable gland



1411261

<https://www.phoenixcontact.com/us/products/1411261>

Classifications

ECLASS

ECLASS-13.0	27140801
ECLASS-15.0	27140801

UNSPSC

UNSPSC 21.0	39121311
-------------	----------

HC-K-KV-M20(5-13)BK - Cable gland



1411261

<https://www.phoenixcontact.com/us/products/1411261>

Environmental product compliance

China RoHS

Environment friendly use period (EFUP)	EFUP-E
	No hazardous substances above the limits

EU REACH SVHC

REACH candidate substance (CAS No.)	No substance above 0.1 wt%
-------------------------------------	----------------------------

Phoenix Contact 2026 © - all rights reserved
<https://www.phoenixcontact.com>

Phoenix Contact USA
586 Fulling Mill Road
Middletown, PA 17057, United States
(+717) 944-1300
info@phoenixcon.com