

# A-INL-PG7-N-S - Counter nut

1411255

<https://www.phoenixcontact.com/us/products/1411255>

Please be informed that the data shown in this PDF document is generated from our online catalog. Please find the complete data in the user documentation. Our general terms of use for downloads are valid.

Counter nut, for threads Pg7, color: silver-colored



## Commercial data

|                                      |               |
|--------------------------------------|---------------|
| Item number                          | 1411255       |
| Packing unit                         | 100 pc        |
| Minimum order quantity               | 100 pc        |
| Sales key                            | BF68          |
| Product key                          | AF7DZX        |
| GTIN                                 | 4046356923880 |
| Weight per piece (including packing) | 1.768 g       |
| Weight per piece (excluding packing) | 1.768 g       |
| Customs tariff number                | 74153300      |
| Country of origin                    | IN            |

# A-INL-PG7-N-S - Counter nut

1411255

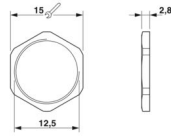
<https://www.phoenixcontact.com/us/products/1411255>

## Technical data

### Product properties

|              |          |
|--------------|----------|
| Product type | Flat nut |
| Thread type  | Pg7      |

### Dimensions

|                             |  |
|-----------------------------|--|
| Dimensional drawing         |  |
| Length                      | 2.8 mm   |
| Diameter Connecting thread  | 12.5 mm  |
| Connecting thread diameter  | 12.5 mm  |
| Wrench size, counter nut    | 15 mm  |
| Hexagon angular dimension   | 16.5 mm  |
| Thread type connection side | Pg7  |

### Material specifications

|          |                      |
|----------|----------------------|
| Material | Brass, nickel-plated |
|----------|----------------------|

### Cable/line

|              |     |
|--------------|-----|
| Halogen-free | yes |
|--------------|-----|

### Environmental and real-life conditions

#### Ambient conditions

|                                 |                   |
|---------------------------------|-------------------|
| Ambient temperature (operation) | -70 °C ... 220 °C |
|---------------------------------|-------------------|

# A-INL-PG7-N-S - Counter nut

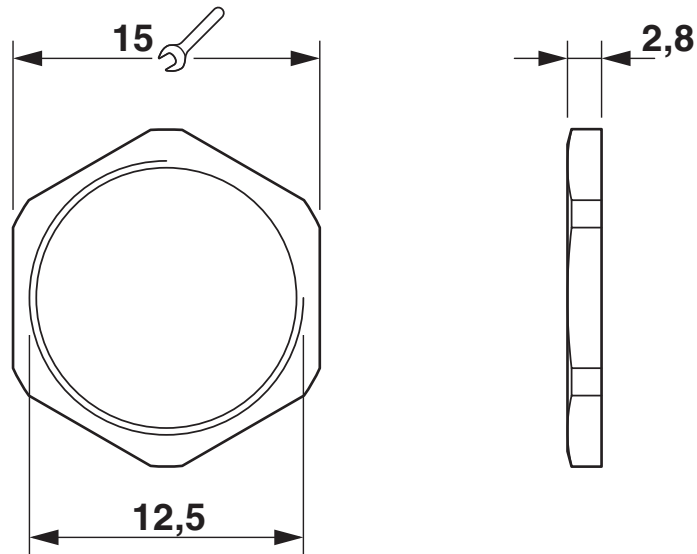
1411255

<https://www.phoenixcontact.com/us/products/1411255>



## Drawings

Dimensional drawing



# A-INL-PG7-N-S - Counter nut



1411255

<https://www.phoenixcontact.com/us/products/1411255>

## Classifications

### ECLASS

|             |          |
|-------------|----------|
| ECLASS-13.0 | 27140807 |
| ECLASS-15.0 | 27140807 |

### ETIM

|           |          |
|-----------|----------|
| ETIM 10.0 | EC003608 |
|-----------|----------|

### UNSPSC

|             |          |
|-------------|----------|
| UNSPSC 21.0 | 31161700 |
|-------------|----------|

# A-INL-PG7-N-S - Counter nut



1411255

<https://www.phoenixcontact.com/us/products/1411255>

## Environmental product compliance

### EU RoHS

|   |      |
|---|------|
| Fulfills EU RoHS substance requirements | Yes  |
| Exemption                               | 6(c) |

### China RoHS

|  |   |
|--|---|
| Environment friendly use period (EFUP) | EFUP-50   |
|  | An article-related China RoHS declaration table can be found in the download area for the respective article under "Manufacturer declaration". For all articles with EFUP-E, no China RoHS declaration table issued and required. |

### EU REACH SVHC

|                                     |                                      |
|-------------------------------------|--------------------------------------|
| REACH candidate substance (CAS No.) | Lead(CAS: 7439-92-1)                 |
| SCIP                                | 2c7026c9-0832-45a6-a15d-518215cb8f14 |

Phoenix Contact 2026 © - all rights reserved  
<https://www.phoenixcontact.com>

Phoenix Contact USA  
586 Fulling Mill Road  
Middletown, PA 17057, United States  
(+717) 944-1300  
[info@phoenixcon.com](mailto:info@phoenixcon.com)