

# A-INL-M40-S-S - Counter nut

1411252

<https://www.phoenixcontact.com/us/products/1411252>

Please be informed that the data shown in this PDF document is generated from our online catalog. Please find the complete data in the user documentation. Our general terms of use for downloads are valid.

Counter nut, for threads M40 x 1.5, color: silver-colored



## Commercial data

Item number	1411252
Packing unit	5 pc
Minimum order quantity	5 pc
Sales key	BF68
Product key	AF7DZX
GTIN	4046356923842
Weight per piece (including packing)	23.2 g
Weight per piece (excluding packing)	19.01 g
Customs tariff number	73269098
Country of origin	DE

# A-INL-M40-S-S - Counter nut

1411252

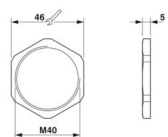
<https://www.phoenixcontact.com/us/products/1411252>

## Technical data

### Product properties

Product type	Flat nut
Thread type	M40

### Dimensions

Dimensional drawing	
Length	5 mm
Diameter	40 mm
Connecting thread diameter	40 mm
Wrench size, counter nut	46 mm
Hexagon angular dimension	50 mm
Thread type connection side	M40 x 1.5
Thread pitch	1.5 mm

### Material specifications

Material	Stainless steel 1.4305
----------	------------------------

### Cable/line

Halogen-free	yes
--------------	-----

### Environmental and real-life conditions

#### Ambient conditions

Ambient temperature (operation)	-70 °C ... 220 °C
---------------------------------	-------------------

# A-INL-M40-S-S - Counter nut

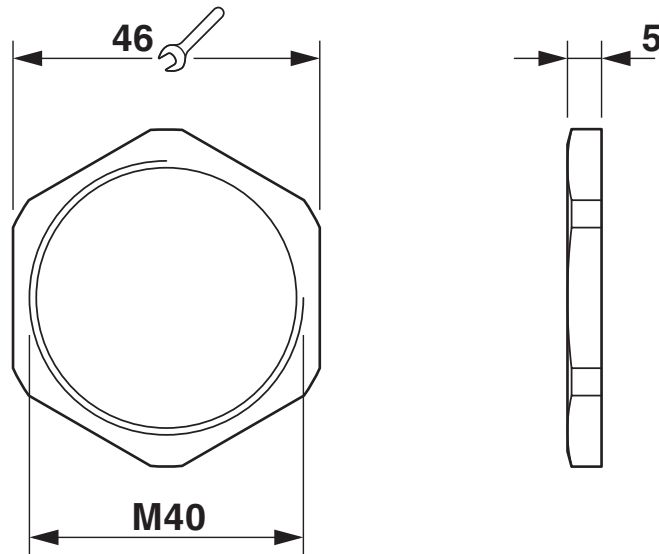
1411252

<https://www.phoenixcontact.com/us/products/1411252>



## Drawings

Dimensional drawing



Dimensional drawing

# A-INL-M40-S-S - Counter nut



1411252

<https://www.phoenixcontact.com/us/products/1411252>

## Classifications

### ECLASS

ECLASS-13.0	27140807
ECLASS-15.0	27140807

### ETIM

ETIM 10.0	EC003608
-----------	----------

### UNSPSC

UNSPSC 21.0	31161700
-------------	----------

# A-INL-M40-S-S - Counter nut



1411252

<https://www.phoenixcontact.com/us/products/1411252>

## Environmental product compliance

### EU RoHS

Fulfills EU RoHS substance requirements	Yes, No exemptions
---	--------------------

### China RoHS

Environment friendly use period (EFUP)	EFUP-E
	No hazardous substances above the limits

### EU REACH SVHC

REACH candidate substance (CAS No.)	No substance above 0.1 wt%
-------------------------------------	----------------------------

Phoenix Contact 2026 © - all rights reserved  
<https://www.phoenixcontact.com>

Phoenix Contact USA  
586 Fulling Mill Road  
Middletown, PA 17057, United States  
(+717) 944-1300  
[info@phoenixcon.com](mailto:info@phoenixcon.com)