

# A-INL-M40-N-S - Counter nut

1411246

<https://www.phoenixcontact.com/us/products/1411246>

Please be informed that the data shown in this PDF document is generated from our online catalog. Please find the complete data in the user documentation. Our general terms of use for downloads are valid.

Counter nut, for threads M40 x 1.5, color: silver-colored



## Commercial data

Item number	1411246
Packing unit	50 pc
Minimum order quantity	100 pc
Sales key	BF68
Product key	AF7DZX
GTIN	4046356923781
Weight per piece (including packing)	24.64 g
Weight per piece (excluding packing)	23.364 g
Customs tariff number	74198090
Country of origin	DE

# A-INL-M40-N-S - Counter nut

1411246

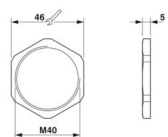
<https://www.phoenixcontact.com/us/products/1411246>

## Technical data

### Product properties

Product type	Flat nut
Thread type	M40

### Dimensions

Dimensional drawing	
Length	5 mm
Diameter Connecting thread	40 mm
Connecting thread diameter	40 mm
Wrench size, counter nut	46 mm
Hexagon angular dimension	50 mm
Thread type connection side	M40 x 1.5
Thread pitch	1.5 mm

### Material specifications

Material	Brass, nickel-plated
----------	----------------------

### Cable/line

Halogen-free	yes
--------------	-----

### Environmental and real-life conditions

#### Ambient conditions

Ambient temperature (operation)	-70 °C ... 220 °C
---------------------------------	-------------------

# A-INL-M40-N-S - Counter nut

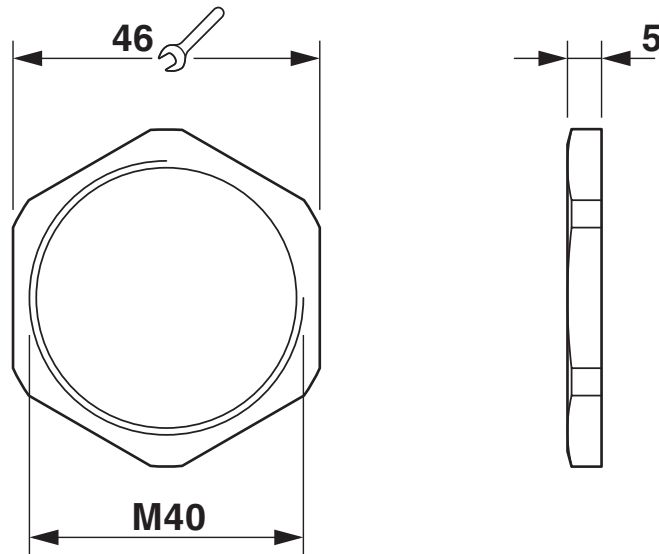
1411246

<https://www.phoenixcontact.com/us/products/1411246>



## Drawings

Dimensional drawing



# A-INL-M40-N-S - Counter nut



1411246

<https://www.phoenixcontact.com/us/products/1411246>

## Classifications

### ECLASS

ECLASS-13.0	27140807
ECLASS-15.0	27140807

### ETIM

ETIM 10.0	EC003608
-----------	----------

### UNSPSC

UNSPSC 21.0	31161700
-------------	----------

# A-INL-M40-N-S - Counter nut



1411246

<https://www.phoenixcontact.com/us/products/1411246>

## Environmental product compliance

### EU RoHS

Fulfills EU RoHS substance requirements	Yes
Exemption	6(c)

### China RoHS

Environment friendly use period (EFUP)	EFUP-50
	An article-related China RoHS declaration table can be found in the download area for the respective article under "Manufacturer declaration". For all articles with EFUP-E, no China RoHS declaration table issued and required.

### EU REACH SVHC

REACH candidate substance (CAS No.)	Lead(CAS: 7439-92-1)
SCIP	3167c2b7-4c7e-4280-8c12-a86a72bdd841

Phoenix Contact 2026 © - all rights reserved

<https://www.phoenixcontact.com>

Phoenix Contact USA  
586 Fulling Mill Road  
Middletown, PA 17057, United States  
(+717) 944-1300  
[info@phoenixcon.com](mailto:info@phoenixcon.com)