

A-INL-NPT3/8-P-GY - Counter nut



1411231

<https://www.phoenixcontact.com/us/products/1411231>

Please be informed that the data shown in this PDF document is generated from our online catalog. Please find the complete data in the user documentation. Our general terms of use for downloads are valid.

Counter nut, for threads 3/8"-NPT, color: silver-gray RAL 7001



Commercial data

Item number	1411231
Packing unit	10 pc
Minimum order quantity	1 pc
Sales key	BF68
Product key	AF7DZX
GTIN	4046356923637
Weight per piece (including packing)	2.29 g
Weight per piece (excluding packing)	2.2 g
Customs tariff number	39269097
Country of origin	TR

A-INL-NPT3/8-P-GY - Counter nut

1411231

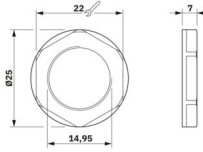
<https://www.phoenixcontact.com/us/products/1411231>

Technical data

Product properties

Product type	Flat nut
Thread type	3/8"-NPT

Dimensions

Dimensional drawing	
Length	5 mm
Diameter Connecting thread	16.6 mm
Connecting thread diameter	16.6 mm
Wrench size, counter nut	22 mm
Hexagon angular dimension	25 mm
Thread type connection side	3/8"-NPT

Material specifications

Color	silver gray (RAL 7001)
Material	PA
Flammability rating according to UL 94	V2

Cable/line

Halogen-free	yes
--------------	-----

Environmental and real-life conditions

Ambient conditions

Ambient temperature (operation)	-40 °C ... 100 °C
---------------------------------	-------------------

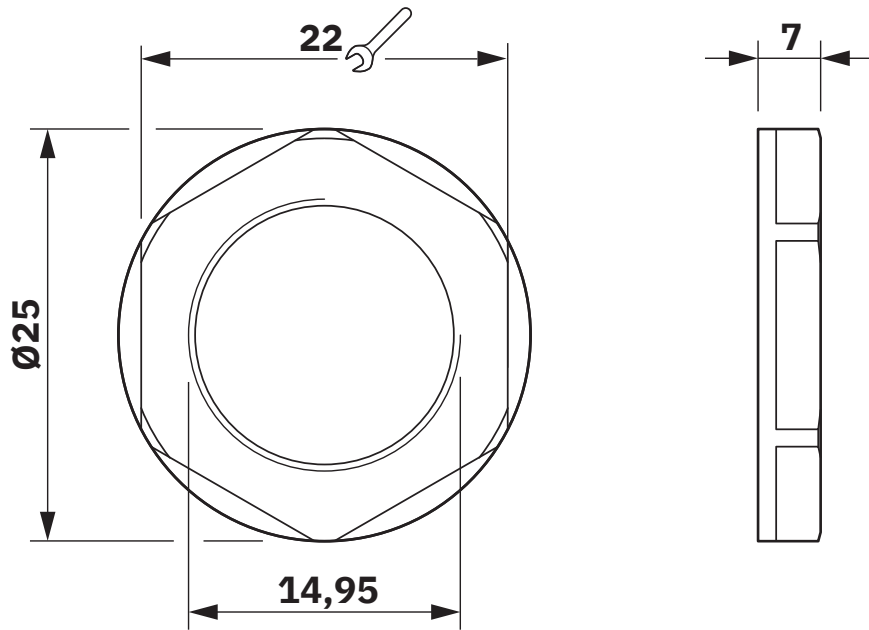
A-INL-NPT3/8-P-GY - Counter nut

1411231

<https://www.phoenixcontact.com/us/products/1411231>

Drawings

Dimensional drawing



Dimensional drawing

A-INL-NPT3/8-P-GY - Counter nut



1411231

<https://www.phoenixcontact.com/us/products/1411231>

Classifications

ECLASS

ECLASS-13.0	27140807
ECLASS-15.0	27140807

ETIM

ETIM 10.0	EC003608
-----------	----------

UNSPSC

UNSPSC 21.0	31161700
-------------	----------

A-INL-NPT3/8-P-GY - Counter nut



1411231

<https://www.phoenixcontact.com/us/products/1411231>

Environmental product compliance

EU RoHS

Fulfills EU RoHS substance requirements	Yes, No exemptions
---	--------------------

China RoHS

Environment friendly use period (EFUP)	EFUP-E
	No hazardous substances above the limits

EU REACH SVHC

REACH candidate substance (CAS No.)	No substance above 0.1 wt%
-------------------------------------	----------------------------

Phoenix Contact 2026 © - all rights reserved
<https://www.phoenixcontact.com>

Phoenix Contact USA
586 Fulling Mill Road
Middletown, PA 17057, United States
(+717) 944-1300
info@phoenixcon.com