

# A-INL-PG13,5-P-GY - Counter nut

1411224

<https://www.phoenixcontact.com/us/products/1411224>

Please be informed that the data shown in this PDF document is generated from our online catalog. Please find the complete data in the user documentation. Our general terms of use for downloads are valid.

Counter nut, for threads Pg13.5, color: silver-gray RAL 7001



## Commercial data

Item number	1411224
Packing unit	5 pc
Minimum order quantity	1 pc
Sales key	BF68
Product key	AF7DZX
GTIN	4046356923569
Weight per piece (including packing)	3.54 g
Weight per piece (excluding packing)	2.94 g
Customs tariff number	39269097
Country of origin	TR

# A-INL-PG13,5-P-GY - Counter nut

1411224

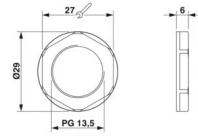
<https://www.phoenixcontact.com/us/products/1411224>

## Technical data

### Product properties

Product type	Flat nut
Thread type	Pg13.5

### Dimensions

Dimensional drawing	
Length	6 mm
Diameter	20.4 mm
Connecting thread diameter	20.4 mm
Wrench size, counter nut	27 mm
Hexagon angular dimension	29 mm
Thread type connection side	Pg13.5

### Material specifications

Material	PA
Flammability rating according to UL 94	V2

### Cable/line

Halogen-free	yes
--------------	-----

### Environmental and real-life conditions

#### Ambient conditions

Ambient temperature (operation)	-40 °C ... 100 °C
---------------------------------	-------------------

# A-INL-PG13,5-P-GY - Counter nut

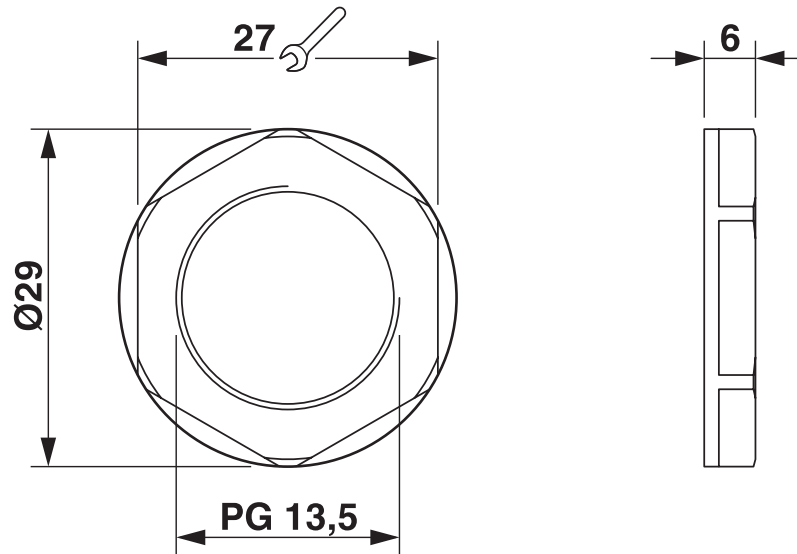
1411224

<https://www.phoenixcontact.com/us/products/1411224>



## Drawings

Dimensional drawing



# A-INL-PG13,5-P-GY - Counter nut



1411224

<https://www.phoenixcontact.com/us/products/1411224>

## Classifications

### ECLASS

ECLASS-13.0	27140807
ECLASS-15.0	27140807

### ETIM

ETIM 10.0	EC003608
-----------	----------

### UNSPSC

UNSPSC 21.0	31161700
-------------	----------

# A-INL-PG13,5-P-GY - Counter nut



1411224

<https://www.phoenixcontact.com/us/products/1411224>

## Environmental product compliance

### EU RoHS

Fulfills EU RoHS substance requirements	Yes, No exemptions
---	--------------------

### China RoHS

Environment friendly use period (EFUP)	EFUP-E
	No hazardous substances above the limits

### EU REACH SVHC

REACH candidate substance (CAS No.)	No substance above 0.1 wt%
-------------------------------------	----------------------------

Phoenix Contact 2026 © - all rights reserved  
<https://www.phoenixcontact.com>

Phoenix Contact USA  
586 Fulling Mill Road  
Middletown, PA 17057, United States  
(+717) 944-1300  
[info@phoenixcon.com](mailto:info@phoenixcon.com)