

A-INL-M16-P-BK - Counter nut



1411214

<https://www.phoenixcontact.com/us/products/1411214>

Please be informed that the data shown in this PDF document is generated from our online catalog. Please find the complete data in the user documentation. Our general terms of use for downloads are valid.

Counter nut, for threads M16 x 1.5, color: jet black



Commercial data

| | |
|--------------------------------------|---------------|
| Item number | 1411214 |
| Packing unit | 10 pc |
| Minimum order quantity | 1 pc |
| Sales key | BF68 |
| Product key | AF7DZX |
| GTIN | 4046356923460 |
| Weight per piece (including packing) | 1.77 g |
| Weight per piece (excluding packing) | 1.77 g |
| Customs tariff number | 39269097 |
| Country of origin | TR |

A-INL-M16-P-BK - Counter nut

1411214

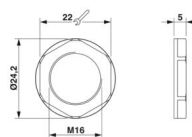
<https://www.phoenixcontact.com/us/products/1411214>

Technical data

Product properties

| | |
|--------------|----------|
| Product type | Flat nut |
| Thread type | M16 |

Dimensions

| | |
|-----------------------------|--|
| Dimensional drawing |  |
| Length | 5 mm |
| Diameter | 16 mm |
| Connecting thread diameter | 16 mm |
| Wrench size, counter nut | 22 mm |
| Hexagon angular dimension | 24.2 mm |
| Thread type connection side | M16 x 1.5 |
| Thread pitch | 1.5 mm |

Material specifications

| | |
|--|----|
| Material | PA |
| Flammability rating according to UL 94 | V2 |

Cable/line

| | |
|--------------|-----|
| Halogen-free | yes |
|--------------|-----|

Environmental and real-life conditions

Ambient conditions

| | |
|---------------------------------|-------------------|
| Ambient temperature (operation) | -40 °C ... 100 °C |
|---------------------------------|-------------------|

A-INL-M16-P-BK - Counter nut

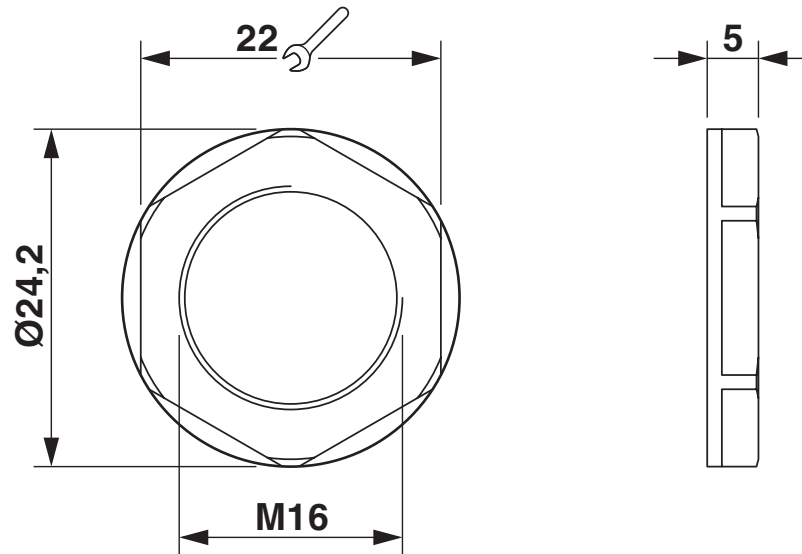
1411214

<https://www.phoenixcontact.com/us/products/1411214>



Drawings

Dimensional drawing



A-INL-M16-P-BK - Counter nut



1411214

<https://www.phoenixcontact.com/us/products/1411214>

Classifications

ECLASS

| | |
|-------------|----------|
| ECLASS-13.0 | 27140807 |
| ECLASS-15.0 | 27140807 |

ETIM

| | |
|-----------|----------|
| ETIM 10.0 | EC003608 |
|-----------|----------|

UNSPSC

| | |
|-------------|----------|
| UNSPSC 21.0 | 31161700 |
|-------------|----------|

A-INL-M16-P-BK - Counter nut



1411214

<https://www.phoenixcontact.com/us/products/1411214>

Environmental product compliance

EU RoHS

| | |
|---|--------------------|
| Fulfills EU RoHS substance requirements | Yes, No exemptions |
|---|--------------------|

China RoHS

| | |
|--|--|
| Environment friendly use period (EFUP) | EFUP-E |
| | No hazardous substances above the limits |

EU REACH SVHC

| | |
|-------------------------------------|----------------------------|
| REACH candidate substance (CAS No.) | No substance above 0.1 wt% |
|-------------------------------------|----------------------------|

EF3.1 Climate Change

| | |
|---------|---------------|
| CO2e kg | 0.016 kg CO2e |
|---------|---------------|

Phoenix Contact 2026 © - all rights reserved
<https://www.phoenixcontact.com>

Phoenix Contact USA
586 Fulling Mill Road
Middletown, PA 17057, United States
(+717) 944-1300
info@phoenixcon.com