

G-INSEC-PG48-L68N-NNES-S - Cable gland



1411204

<https://www.phoenixcontact.com/us/products/1411204>

Please be informed that the data shown in this PDF document is generated from our online catalog. Please find the complete data in the user documentation. Our general terms of use for downloads are valid.



Cable gland, material for screw connection: Brass, nickel-plated, application: EMC, external cable diameter 34 mm ... 44 mm, shielding: yes, connecting thread: Pg48, color: silver-colored, with O-ring

Commercial data

| | |
|--------------------------------------|---------------|
| Item number | 1411204 |
| Packing unit | 1 pc |
| Minimum order quantity | 1 pc |
| Sales key | BF68 |
| Product key | AF7DBX |
| GTIN | 4046356923361 |
| Weight per piece (including packing) | 379.2 g |
| Weight per piece (excluding packing) | 379 g |
| Customs tariff number | 74198090 |
| Country of origin | TR |

Technical data

Mounting

| | |
|---------------|---|
| Assembly note | 1) Mount screw connection flange in the housing using the correct torque 2) Insert cable 3) Tighten union nut using the correct torque |
| | <p>Method 1</p> <p>Cut the outer sheath, but do not remove it. Feed the cable through the screw connection and then remove the outer sheath. Now pull the cable back until the connection is established between the cable shield and the contact spring.</p> |
| | <p>Method 2</p> <p>Push the braided shield back around 15 ... 20 mm over the outer sheath. Insert the cables into the screw connection until the connection is established between the cable shield and the contact spring.</p> |

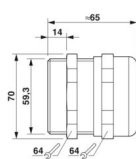
Product properties

| | |
|--------------------------|-------------------|
| Product type | Cable screw gland |
| Application | EMC |
| No. of conductors | 1 |
| Manufacturer | BIMED |
| Manufacturer Designation | BSEM-10 |
| Shielded | yes |

Characteristics

| | |
|-------------------------------------|------------------------------------|
| Cable diameter without cable sheath | 31 mm (Diameter of braided shield) |
|-------------------------------------|------------------------------------|

Dimensions

| | |
|---------------------------------|--|
| Dimensional drawing |  |
| Length | 65 mm |
| Length of the connecting thread | 14 mm |
| Hole diameter | 59.4 mm ... 59.7 mm |
| Wrench size, union nut | 64 mm |
| Wrench size, support | 64 mm |
| Hexagon angular dimension | 70 mm |
| Thread type connection side | Pg48 |

Connection data

| | |
|-------------------|-----------------------------|
| Tightening torque | 50 Nm (Union nut: EN 62444) |
| | 25 Nm (Support: EN 62444) |

G-INSEC-PG48-L68N-NNES-S - Cable gland



1411204

<https://www.phoenixcontact.com/us/products/1411204>

Material specifications

| | |
|-------------------------------|----------------------|
| Color | brass color |
| Material Compression ring | PA 6 |
| Seal material O-ring | Perbunan |
| Seal material Cable seal | CR |
| Material for screw connection | Brass, nickel-plated |

Cable/line

| | |
|---------------------------------|-----------------|
| External cable diameter Cable 1 | 34 mm ... 44 mm |
| Halogen-free | no |

Environmental and real-life conditions

Ambient conditions

| | |
|---------------------------------|----------------------------|
| Degree of protection | IP68 |
| Ambient temperature (operation) | -40 °C ... 100 °C (static) |

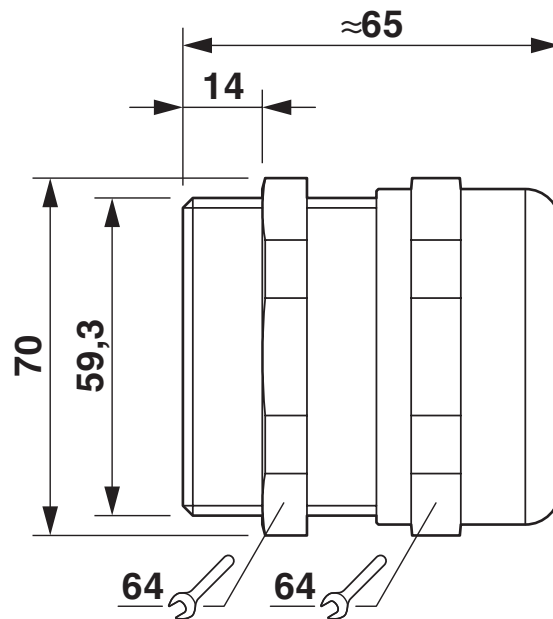
G-INSEC-PG48-L68N-NNES-S - Cable gland

1411204

<https://www.phoenixcontact.com/us/products/1411204>

Drawings

Dimensional drawing



Dimensional drawing

Functional drawing



See assembly instruction

G-INSEC-PG48-L68N-NNES-S - Cable gland



1411204

<https://www.phoenixcontact.com/us/products/1411204>

Approvals

🔗 To download certificates, visit the product detail page: <https://www.phoenixcontact.com/us/products/1411204>

DNV

Approval ID: TAE00003WY

G-INSEC-PG48-L68N-NNES-S - Cable gland



1411204

<https://www.phoenixcontact.com/us/products/1411204>

Classifications

ECLASS

| | |
|-------------|----------|
| ECLASS-13.0 | 27140801 |
| ECLASS-15.0 | 27140801 |

ETIM

| | |
|-----------|----------|
| ETIM 10.0 | EC000441 |
|-----------|----------|

UNSPSC

| | |
|-------------|----------|
| UNSPSC 21.0 | 39121300 |
|-------------|----------|

1411204

<https://www.phoenixcontact.com/us/products/1411204>

Environmental product compliance

EU RoHS

| | |
|---|------|
| Fulfills EU RoHS substance requirements | Yes |
| Exemption | 6(c) |

China RoHS

| | |
|--|---|
| Environment friendly use period (EFUP) | EFUP-50 |
| | An article-related China RoHS declaration table can be found in the download area for the respective article under "Manufacturer declaration". For all articles with EFUP-E, no China RoHS declaration table issued and required. |

EU REACH SVHC

| | |
|-------------------------------------|--------------------------------------|
| REACH candidate substance (CAS No.) | Lead(CAS: 7439-92-1) |
| SCIP | 5a343d81-d249-434b-8fc0-364a6fbf6126 |

Phoenix Contact 2026 © - all rights reserved

<https://www.phoenixcontact.com>

Phoenix Contact USA
586 Fulling Mill Road
Middletown, PA 17057, United States
(+717) 944-1300
info@phoenixcon.com