

G-INSEC-PG42-L68N-NNES-S - Cable gland



1411203

<https://www.phoenixcontact.com/us/products/1411203>

Please be informed that the data shown in this PDF document is generated from our online catalog. Please find the complete data in the user documentation. Our general terms of use for downloads are valid.



Cable gland, material for screw connection: Brass, nickel-plated, application: EMC, external cable diameter 30 mm ... 38 mm, shielding: yes, connecting thread: Pg42, color: silver-colored, with O-ring

Commercial data

Item number	1411203
Packing unit	1 pc
Minimum order quantity	1 pc
Sales key	BF68
Product key	AF7DBX
GTIN	4046356923354
Weight per piece (including packing)	311 g
Weight per piece (excluding packing)	311 g
Customs tariff number	74198090
Country of origin	TR

Technical data

Mounting

Assembly note	1) Mount screw connection flange in the housing using the correct torque 2) Insert cable 3) Tighten union nut using the correct torque
	<p>Method 1</p> <p>Cut the outer sheath, but do not remove it. Feed the cable through the screw connection and then remove the outer sheath. Now pull the cable back until the connection is established between the cable shield and the contact spring.</p>
	<p>Method 2</p> <p>Push the braided shield back around 15 ... 20 mm over the outer sheath. Insert the cables into the screw connection until the connection is established between the cable shield and the contact spring.</p>

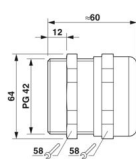
Product properties

Product type	Cable screw gland
Application	EMC
No. of conductors	1
Manufacturer	BIMED
Manufacturer Designation	BSEM-09
Shielded	yes

Characteristics

Cable diameter without cable sheath	28 mm (Diameter of braided shield)
-------------------------------------	------------------------------------

Dimensions

Dimensional drawing	
Length	60 mm
Length of the connecting thread	12 mm
Hole diameter	54.1 mm ... 54.4 mm
Wrench size, union nut	58 mm
Wrench size, support	58 mm
Hexagon angular dimension	64 mm
Thread type connection side	Pg42

Connection data

Tightening torque	45 Nm (Union nut: EN 62444)
	18 Nm (Support: EN 62444)

G-INSEC-PG42-L68N-NNES-S - Cable gland



1411203

<https://www.phoenixcontact.com/us/products/1411203>

Material specifications

Color	brass color
Material Compression ring	PA 6
Seal material O-ring	Perbunan
Seal material Cable seal	CR
Material for screw connection	Brass, nickel-plated

Cable/line

External cable diameter Cable 1	30 mm ... 38 mm
Halogen-free	no

Environmental and real-life conditions

Ambient conditions

Degree of protection	IP68
Ambient temperature (operation)	-40 °C ... 100 °C (static)

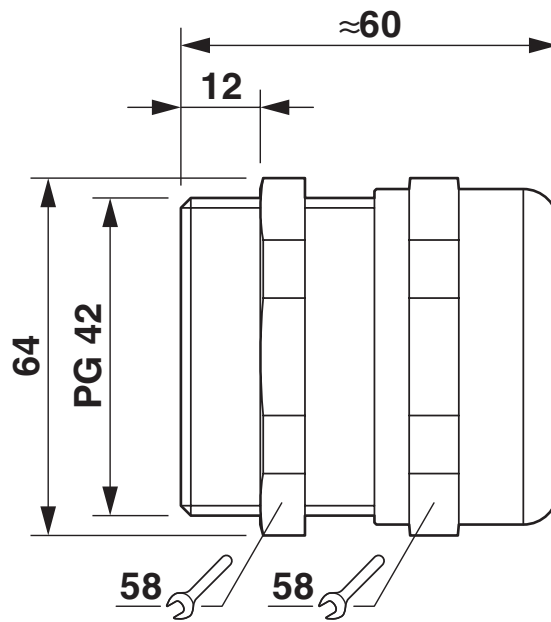
G-INSEC-PG42-L68N-NNES-S - Cable gland

1411203

<https://www.phoenixcontact.com/us/products/1411203>

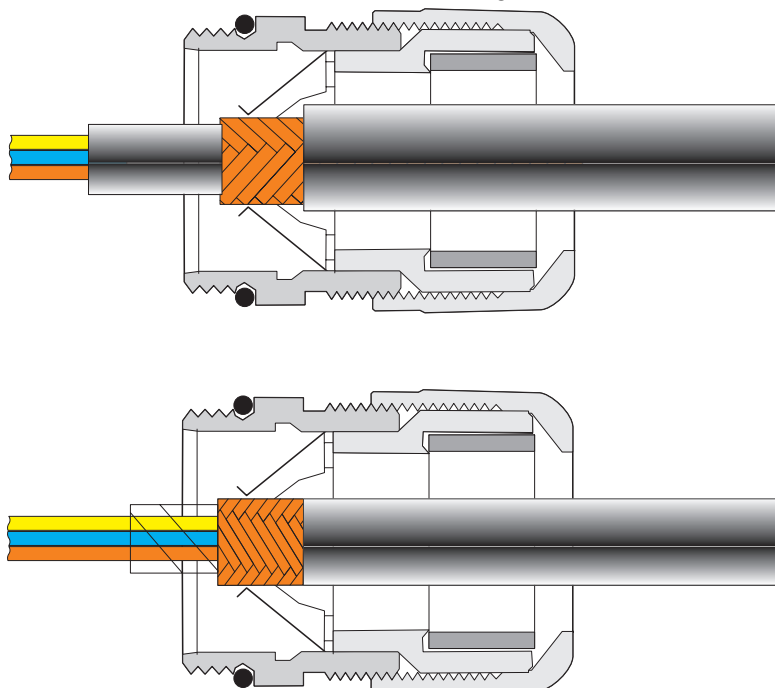
Drawings

Dimensional drawing



Dimensional drawing

Functional drawing



See assembly instruction

G-INSEC-PG42-L68N-NNES-S - Cable gland



1411203

<https://www.phoenixcontact.com/us/products/1411203>

Approvals

🔗 To download certificates, visit the product detail page: <https://www.phoenixcontact.com/us/products/1411203>

DNV

Approval ID: TAE00003WY

G-INSEC-PG42-L68N-NNES-S - Cable gland



1411203

<https://www.phoenixcontact.com/us/products/1411203>

Classifications

ECLASS

ECLASS-13.0	27140801
ECLASS-15.0	27140801

ETIM

ETIM 10.0	EC000441
-----------	----------

UNSPSC

UNSPSC 21.0	39121300
-------------	----------

1411203

<https://www.phoenixcontact.com/us/products/1411203>

Environmental product compliance

EU RoHS

Fulfills EU RoHS substance requirements	Yes
Exemption	6(c)

China RoHS

Environment friendly use period (EFUP)	EFUP-50
	An article-related China RoHS declaration table can be found in the download area for the respective article under "Manufacturer declaration". For all articles with EFUP-E, no China RoHS declaration table issued and required.

EU REACH SVHC

REACH candidate substance (CAS No.)	Lead(CAS: 7439-92-1)
SCIP	ccceed66-45d7-46b1-936c-14646122819b

EF3.1 Climate Change

CO2e kg	5.673 kg CO2e
---------	---------------

Phoenix Contact 2026 © - all rights reserved
<https://www.phoenixcontact.com>

Phoenix Contact USA
586 Fulling Mill Road
Middletown, PA 17057, United States
(+717) 944-1300
info@phoenixcon.com