

G-INSEC-M63-L68N-NCRS-S - Cable gland



1411194

<https://www.phoenixcontact.com/us/products/1411194>

Please be informed that the data shown in this PDF document is generated from our online catalog. Please find the complete data in the user documentation. Our general terms of use for downloads are valid.



Cable gland, material for screw connection: Brass, nickel-plated, application: EMC, external cable diameter 32 mm ... 42 mm, shielding: yes, connecting thread: M63 x 1.5, color: silver-colored, with O-ring

Commercial data

Item number	1411194
Packing unit	1 pc
Minimum order quantity	1 pc
Sales key	BF68
Product key	AF7DBX
GTIN	4046356923255
Weight per piece (including packing)	379.3 g
Weight per piece (excluding packing)	379.3 g
Customs tariff number	74198090
Country of origin	DE

Technical data

Mounting

Assembly note	<p>Method 1 Cut the outer sheath, but do not remove it. Feed the cable through the screw connection and then remove the outer sheath. Now pull the cable back until the connection is established between the cable shield and the contact spring.</p> <p>Method 2 Push the braided shield back around 15 ... 20 mm over the outer sheath. Insert the cables into the screw connection until the connection is established between the cable shield and the contact spring.</p>
---------------	---

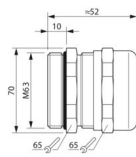
Product properties

Product type	Cable screw gland
Application	EMC
No. of conductors	1
Manufacturer	Jacob
Manufacturer Designation	50.663 M/EMVD
Shielded	yes
Execution of the strain relief	A

Characteristics

Category of shock impact	7
Design, Strain relief	A

Dimensions

Dimensional drawing	
Length	52 mm
Length of the connecting thread	10 mm
Hole diameter	63.1 mm ... 63.3 mm
Wrench size, union nut	65 mm
Wrench size, support	65 mm
Hexagon angular dimension	70 mm
Thread type connection side	M63 x 1.5
Thread pitch	1.5 mm

Connection data

Tightening torque	13.5 Nm (Union nut: EN 62444)
	13.5 Nm (Support: EN 62444)

G-INSEC-M63-L68N-NCRS-S - Cable gland



1411194

<https://www.phoenixcontact.com/us/products/1411194>

Material specifications

Color	brass color
Material Compression ring	PA 6
Seal material O-ring	Perbunan
Seal material Cable seal	CR/NBR
Material for screw connection	Brass, nickel-plated

Cable/line

External cable diameter Cable 1	32 mm ... 42 mm
Halogen-free	no

Environmental and real-life conditions

Ambient conditions

Degree of protection	IP68 (5 bar, 30 minutes)
Ambient temperature (operation)	-40 °C ... 100 °C (static)

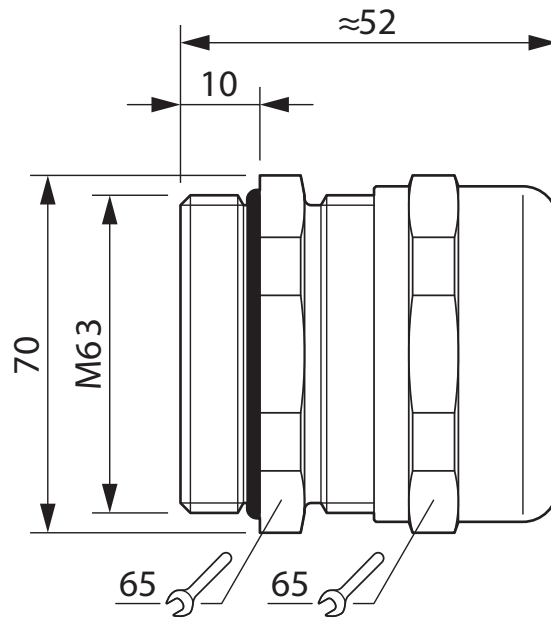
G-INSEC-M63-L68N-NCRS-S - Cable gland

1411194

<https://www.phoenixcontact.com/us/products/1411194>

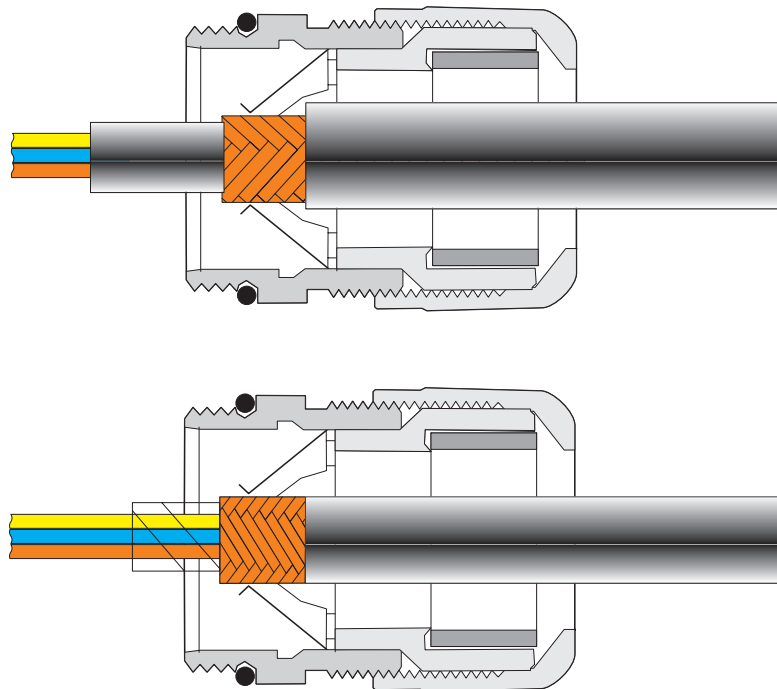
Drawings

Dimensional drawing



Dimensional drawing

Functional drawing



See assembly instruction

G-INSEC-M63-L68N-NCRS-S - Cable gland



1411194

<https://www.phoenixcontact.com/us/products/1411194>

Approvals

To download certificates, visit the product detail page: <https://www.phoenixcontact.com/us/products/1411194>



cUL Recognized

Approval ID: QCRV8.E140310



UL Recognized

Approval ID: QCRV2.E140310



UL Listed

Approval ID: QCRV.E140310



cUL Listed

Approval ID: QCRV7.E140310

G-INSEC-M63-L68N-NCRS-S - Cable gland



1411194

<https://www.phoenixcontact.com/us/products/1411194>

Classifications

ECLASS

ECLASS-13.0	27140801
ECLASS-15.0	27140801

ETIM

ETIM 10.0	EC000441
-----------	----------

UNSPSC

UNSPSC 21.0	39121300
-------------	----------

1411194

<https://www.phoenixcontact.com/us/products/1411194>

Environmental product compliance

EU RoHS

Fulfills EU RoHS substance requirements	Yes
Exemption	6(c)

China RoHS

Environment friendly use period (EFUP)	EFUP-50
	An article-related China RoHS declaration table can be found in the download area for the respective article under "Manufacturer declaration". For all articles with EFUP-E, no China RoHS declaration table issued and required.

EU REACH SVHC

REACH candidate substance (CAS No.)	Lead(CAS: 7439-92-1)
SCIP	234a66d1-de70-42d5-86cd-10b6cda8efec

Phoenix Contact 2026 © - all rights reserved

<https://www.phoenixcontact.com>

Phoenix Contact USA
586 Fulling Mill Road
Middletown, PA 17057, United States
(+717) 944-1300
info@phoenixcon.com