

# G-INSEC-M50-L68N-NCRS-S - Cable gland



1411193

<https://www.phoenixcontact.com/us/products/1411193>

Please be informed that the data shown in this PDF document is generated from our online catalog. Please find the complete data in the user documentation. Our general terms of use for downloads are valid.



Cable gland, material for screw connection: Brass, nickel-plated, application: EMC, external cable diameter 24 mm ... 35 mm, shielding: yes, connecting thread: M50 x 1.5, color: silver-colored, with O-ring

## Commercial data

Item number	1411193
Packing unit	1 pc
Minimum order quantity	1 pc
Sales key	BF68
Product key	AF7DBX
GTIN	4046356923248
Weight per piece (including packing)	331.9 g
Weight per piece (excluding packing)	331.9 g
Customs tariff number	74198090
Country of origin	DE

## Technical data

### Mounting

Assembly note	<p><b>Method 1</b> Cut the outer sheath, but do not remove it. Feed the cable through the screw connection and then remove the outer sheath. Now pull the cable back until the connection is established between the cable shield and the contact spring.</p> <p><b>Method 2</b> Push the braided shield back around 15 ... 20 mm over the outer sheath. Insert the cables into the screw connection until the connection is established between the cable shield and the contact spring.</p>
---------------	---

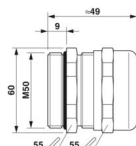
### Product properties

Product type	Cable screw gland
Application	EMC
No. of conductors	1
Manufacturer	Jacob
Manufacturer Designation	50.650 M/EMVD
Shielded	yes
Execution of the strain relief	A

### Characteristics

Category of shock impact	7
Design, Strain relief	A

### Dimensions

Dimensional drawing	
Length	49 mm
Length of the connecting thread	9 mm
Hole diameter	50.1 mm ... 50.3 mm
Wrench size, union nut	55 mm
Wrench size, support	55 mm
Hexagon angular dimension	60 mm
Thread type connection side	M50 x 1.5
Thread pitch	1.5 mm

### Connection data

Tightening torque	13.5 Nm (Union nut: EN 62444)
	13.5 Nm (Support: EN 62444)

# G-INSEC-M50-L68N-NCRS-S - Cable gland



1411193

<https://www.phoenixcontact.com/us/products/1411193>

## Material specifications

Color	brass color
Material Compression ring	PA 6
Seal material O-ring	Perbunan
Seal material Cable seal	CR/NBR
Material for screw connection	Brass, nickel-plated

## Cable/line

External cable diameter Cable 1	24 mm ... 35 mm
Halogen-free	no

## Environmental and real-life conditions

### Ambient conditions

Degree of protection	IP68 (5 bar, 30 minutes)
Ambient temperature (operation)	-40 °C ... 100 °C (static)

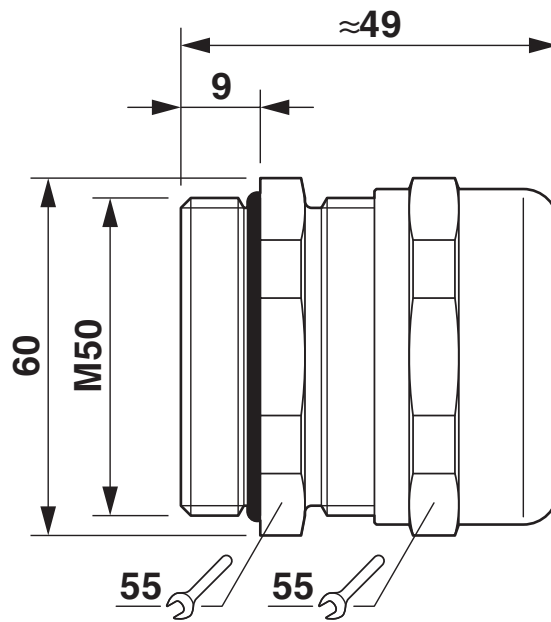
# G-INSEC-M50-L68N-NCRS-S - Cable gland

1411193

<https://www.phoenixcontact.com/us/products/1411193>

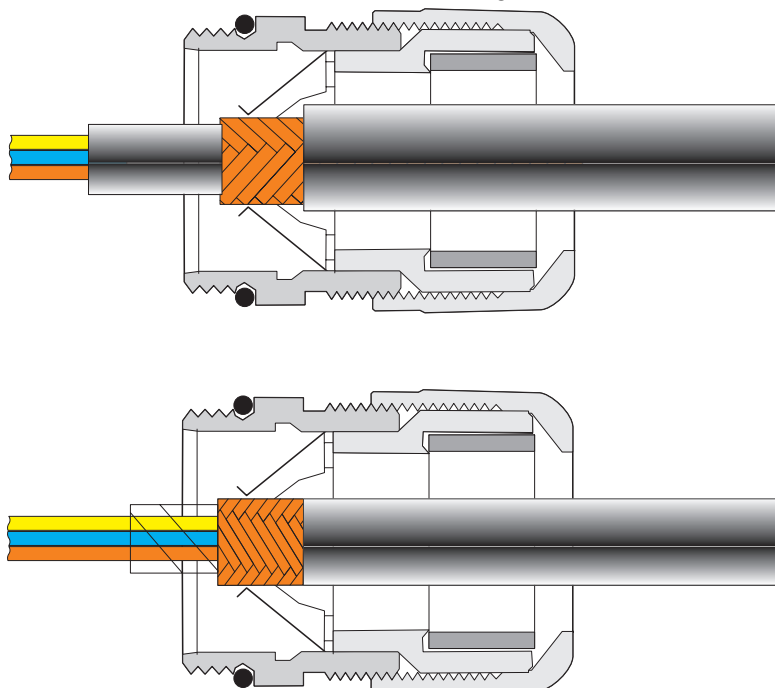
## Drawings

Dimensional drawing



Dimensional drawing

Functional drawing



See assembly instruction

# G-INSEC-M50-L68N-NCRS-S - Cable gland



1411193

<https://www.phoenixcontact.com/us/products/1411193>

## Approvals

To download certificates, visit the product detail page: <https://www.phoenixcontact.com/us/products/1411193>



**cUL Recognized**

Approval ID: QCRV8.E140310



**UL Recognized**

Approval ID: QCRV2.E140310



**UL Listed**

Approval ID: QCRV.E140310



**cUL Listed**

Approval ID: QCRV7.E140310

# G-INSEC-M50-L68N-NCRS-S - Cable gland



1411193

<https://www.phoenixcontact.com/us/products/1411193>

## Classifications

### ECLASS

ECLASS-13.0	27140801
ECLASS-15.0	27140801

### ETIM

ETIM 10.0	EC000441
-----------	----------

### UNSPSC

UNSPSC 21.0	39121300
-------------	----------

1411193

<https://www.phoenixcontact.com/us/products/1411193>

## Environmental product compliance

### EU RoHS

Fulfills EU RoHS substance requirements	Yes
Exemption	6(c)

### China RoHS

Environment friendly use period (EFUP)	EFUP-50
	An article-related China RoHS declaration table can be found in the download area for the respective article under "Manufacturer declaration". For all articles with EFUP-E, no China RoHS declaration table issued and required.

### EU REACH SVHC

REACH candidate substance (CAS No.)	Lead(CAS: 7439-92-1)
SCIP	d0fc3d3e-bef0-4771-bde1-316e8377bdc2

Phoenix Contact 2026 © - all rights reserved

<https://www.phoenixcontact.com>

Phoenix Contact USA  
586 Fulling Mill Road  
Middletown, PA 17057, United States  
(+717) 944-1300  
[info@phoenixcon.com](mailto:info@phoenixcon.com)