

G-INS-NPT3/4-M68L-NNES-S - Cable gland



1411184

<https://www.phoenixcontact.com/us/products/1411184>

Please be informed that the data shown in this PDF document is generated from our online catalog. Please find the complete data in the user documentation. Our general terms of use for downloads are valid.



Cable gland, material for screw connection: Brass, nickel-plated, application: Standard, external cable diameter 13 mm ... 18 mm, shielding: no, connecting thread: 3/4 inch NPT, color: silver-colored, with O-ring

Commercial data

Item number	1411184
Packing unit	5 pc
Minimum order quantity	1 pc
Sales key	BF68
Product key	AF7DAX
GTIN	4046356923163
Weight per piece (including packing)	72 g
Weight per piece (excluding packing)	71.98 g
Customs tariff number	74198090
Country of origin	TR

G-INS-NPT3/4-M68L-NNES-S - Cable gland



1411184

<https://www.phoenixcontact.com/us/products/1411184>

Technical data

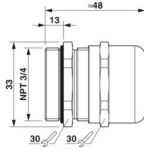
Mounting

Assembly note	1) Mount screw connection support in the housing using the correct torque 2) Insert cable 3) Tighten union nut using the correct torque
---------------	-----------------------------------------------------------------------------------------------------------------------------------------

Product properties

Product type	Cable screw gland
Application	Standard
No. of conductors	1
Manufacturer	BIMED
Manufacturer Designation	BNBC-03
Shielded	no

Dimensions

Dimensional drawing	
Length	48 mm
Length of the connecting thread	13 mm
Wrench size, union nut	30 mm
Wrench size, support	30 mm
Hexagon angular dimension	33 mm
Thread type connection side	3/4 inch NPT

Connection data

Tightening torque	5.5 Nm \pm (0.5 Nm)
-------------------	-----------------------

Material specifications

Color	brass color
Material Compression ring	PA 6
Seal material O-ring	Perbunan
Seal material Cable seal	CR
Material for screw connection	Brass, nickel-plated

Cable/line

External cable diameter	13 mm ... 18 mm
	13 mm ... 18 mm (for UL 514 B)
Halogen-free	no

Environmental and real-life conditions

G-INS-NPT3/4-M68L-NNES-S - Cable gland



1411184

<https://www.phoenixcontact.com/us/products/1411184>

Ambient conditions

Degree of protection	IP68
Enclosure rating (NEMA)	4X
Ambient temperature (operation)	-40 °C ... 100 °C (static)

G-INS-NPT3/4-M68L-NNES-S - Cable gland

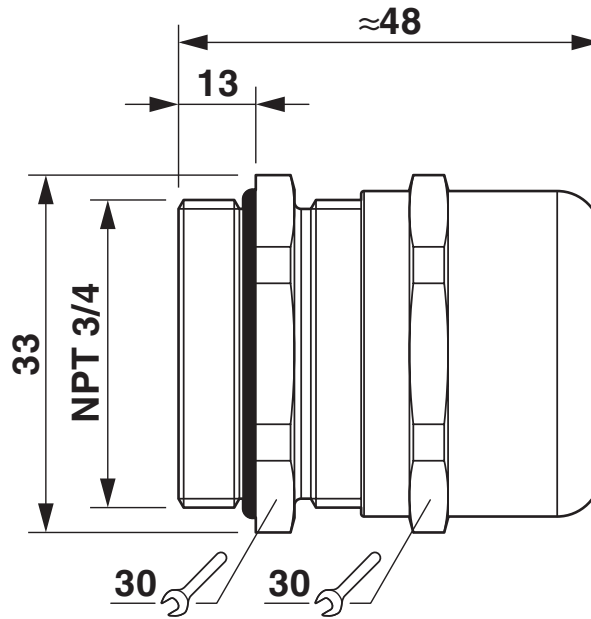


1411184

<https://www.phoenixcontact.com/us/products/1411184>

Drawings

Dimensional drawing



Dimensional drawing

G-INS-NPT3/4-M68L-NNES-S - Cable gland



1411184

<https://www.phoenixcontact.com/us/products/1411184>

Approvals

🔗 To download certificates, visit the product detail page: <https://www.phoenixcontact.com/us/products/1411184>

DNV

Approval ID: TAE00003WY



UL Listed

Approval ID: E199260



cUL Listed

Approval ID: E199260

G-INS-NPT3/4-M68L-NNES-S - Cable gland



1411184

<https://www.phoenixcontact.com/us/products/1411184>

Classifications

ECLASS

ECLASS-13.0	27140801
ECLASS-15.0	27140801

ETIM

ETIM 10.0	EC000441
-----------	----------

UNSPSC

UNSPSC 21.0	39121300
-------------	----------

G-INS-NPT3/4-M68L-NNES-S - Cable gland



1411184

<https://www.phoenixcontact.com/us/products/1411184>

Environmental product compliance

EU RoHS

Fulfills EU RoHS substance requirements	Yes
Exemption	6(c)

China RoHS

Environment friendly use period (EFUP)	EFUP-50
	An article-related China RoHS declaration table can be found in the download area for the respective article under "Manufacturer declaration". For all articles with EFUP-E, no China RoHS declaration table issued and required.

EU REACH SVHC

REACH candidate substance (CAS No.)	Lead(CAS: 7439-92-1)
SCIP	44a1efc9-6e21-4ab7-a510-0e31ead458ce

Phoenix Contact 2026 © - all rights reserved

<https://www.phoenixcontact.com>

Phoenix Contact USA
586 Fulling Mill Road
Middletown, PA 17057, United States
(+717) 944-1300
info@phoenixcon.com