

G-INS-PG42-L68N-NNES-S - Cable gland



1411179

<https://www.phoenixcontact.com/us/products/1411179>

Please be informed that the data shown in this PDF document is generated from our online catalog. Please find the complete data in the user documentation. Our general terms of use for downloads are valid.



Cable gland, material for screw connection: Brass, nickel-plated, application: Standard, external cable diameter 30 mm ... 38 mm, shielding: no, connecting thread: Pg42, color: silver-colored, with O-ring

Commercial data

Item number	1411179
Packing unit	1 pc
Minimum order quantity	1 pc
Sales key	BF68
Product key	AF7DAX
GTIN	4046356923125
Weight per piece (including packing)	301.4 g
Weight per piece (excluding packing)	22.22 g
Customs tariff number	74198090
Country of origin	TR

G-INS-PG42-L68N-NNES-S - Cable gland

1411179

<https://www.phoenixcontact.com/us/products/1411179>

Technical data

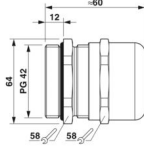
Mounting

Assembly note	1) Mount screw connection support in the housing using the correct torque 2) Insert cable 3) Tighten union nut using the correct torque
---------------	---

Product properties

Product type	Cable screw gland
Application	Standard
No. of conductors	1
Manufacturer	BIMED
Manufacturer Designation	BSBC-09
Shielded	no

Dimensions

Dimensional drawing	
Length	60 mm
Length of the connecting thread	12 mm
Hole diameter	54.1 mm ... 54.5 mm
Wrench size, union nut	58 mm
Wrench size, support	58 mm
Hexagon angular dimension	64 mm
Thread type connection side	Pg42

Connection data

Tightening torque	45 Nm \pm 2 Nm (Cap nut) 27 Nm (Support sleeve)
-------------------	--

Material specifications

Color	brass color
Material Compression ring	PA 6
Seal material O-ring	Perbunan
Seal material Cable seal	CR
Material for screw connection	Brass, nickel-plated

Cable/line

External cable diameter Cable 1	30 mm ... 38 mm
External cable diameter	30 mm ... 38 mm (for UL 514 B)
Halogen-free	no

G-INS-PG42-L68N-NNES-S - Cable gland



1411179

<https://www.phoenixcontact.com/us/products/1411179>

Environmental and real-life conditions

Ambient conditions

Degree of protection	IP66
	IP68 (5 bar, 30 min.)
	IP69 (DIN EN 60529 / IEC 60529)
Ambient temperature (operation)	-40 °C ... 100 °C (static)

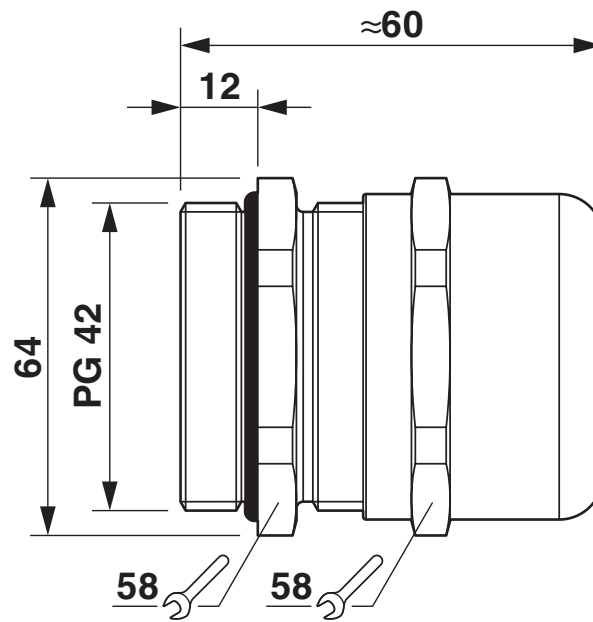
G-INS-PG42-L68N-NNES-S - Cable gland

1411179

<https://www.phoenixcontact.com/us/products/1411179>

Drawings

Dimensional drawing



Dimensional drawing

G-INS-PG42-L68N-NNES-S - Cable gland



1411179

<https://www.phoenixcontact.com/us/products/1411179>

Approvals

🔗 To download certificates, visit the product detail page: <https://www.phoenixcontact.com/us/products/1411179>

DNV

Approval ID: TAE00003WY



UL Listed

Approval ID: E199260



cUL Listed

Approval ID: E199260

G-INS-PG42-L68N-NNES-S - Cable gland



1411179

<https://www.phoenixcontact.com/us/products/1411179>

Classifications

ECLASS

ECLASS-13.0	27140801
ECLASS-15.0	27140801

ETIM

ETIM 10.0	EC000441
-----------	----------

UNSPSC

UNSPSC 21.0	39121300
-------------	----------

G-INS-PG42-L68N-NNES-S - Cable gland



1411179

<https://www.phoenixcontact.com/us/products/1411179>

Environmental product compliance

EU RoHS

Fulfills EU RoHS substance requirements	Yes
Exemption	6(c)

China RoHS

Environment friendly use period (EFUP)	EFUP-50
	An article-related China RoHS declaration table can be found in the download area for the respective article under "Manufacturer declaration". For all articles with EFUP-E, no China RoHS declaration table issued and required.

EU REACH SVHC

REACH candidate substance (CAS No.)	Lead(CAS: 7439-92-1)
SCIP	a73ae5b2-0fa3-4b1d-90fd-e91f3d5bd7a2

Phoenix Contact 2026 © - all rights reserved

<https://www.phoenixcontact.com>

Phoenix Contact USA
586 Fulling Mill Road
Middletown, PA 17057, United States
(+717) 944-1300
info@phoenixcon.com