

# G-INS-PG13,5-S68N-NNES-S - Cable gland



1411173

<https://www.phoenixcontact.com/us/products/1411173>

Please be informed that the data shown in this PDF document is generated from our online catalog. Please find the complete data in the user documentation. Our general terms of use for downloads are valid.



Cable gland, material for screw connection: Brass, nickel-plated, application: Standard, external cable diameter 6 mm ... 12 mm, shielding: no, connecting thread: Pg13,5, color: silver-colored, with O-ring

## Commercial data

|                                      |               |
|--------------------------------------|---------------|
| Item number                          | 1411173       |
| Packing unit                         | 5 pc          |
| Minimum order quantity               | 1 pc          |
| Sales key                            | BF68          |
| Product key                          | AF7DAX        |
| GTIN                                 | 4046356923071 |
| Weight per piece (including packing) | 31.2 g        |
| Weight per piece (excluding packing) | 30.7 g        |
| Customs tariff number                | 74198090      |
| Country of origin                    | TR            |

# G-INS-PG13,5-S68N-NNES-S - Cable gland



1411173

<https://www.phoenixcontact.com/us/products/1411173>

## Technical data

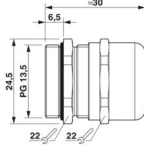
### Mounting

|               |   |
|---------------|---|
| Assembly note | 1) Mount screw connection support in the housing using the correct torque 2) Insert cable 3) Tighten union nut using the correct torque |
|---------------|---|

### Product properties

|                          |                   |
|--------------------------|-------------------|
| Product type             | Cable screw gland |
| Application              | Standard          |
| No. of conductors        | 1                 |
| Manufacturer             | BIMED             |
| Manufacturer Designation | BSBC-04           |
| Shielded                 | no                |

### Dimensions

|                                 |  |
|---------------------------------|--|
| Dimensional drawing             |  |
| Length                          | 30 mm  |
| Length of the connecting thread | 6.5 mm   |
| Hole diameter                   | 20.5 mm ... 20.7 mm  |
| Wrench size, union nut          | 22 mm  |
| Wrench size, support            | 22 mm  |
| Hexagon angular dimension       | 24.5 mm  |
| Thread type connection side     | Pg13,5   |

### Connection data

|                   |  |
|-------------------|--|
| Tightening torque | 8 Nm $\pm$ 1 Nm (Cap nut)<br>5.5 Nm (Support sleeve) |
|-------------------|--|

### Material specifications

|                               |                      |
|-------------------------------|----------------------|
| Color                         | brass color          |
| Material Compression ring     | PA 6                 |
| Seal material O-ring          | Perbunan             |
| Seal material Cable seal      | CR                   |
| Material for screw connection | Brass, nickel-plated |

### Cable/line

|                                 |                                |
|---------------------------------|--------------------------------|
| External cable diameter Cable 1 | 6 mm ... 12 mm                 |
| External cable diameter         | 10 mm ... 12 mm (for UL 514 B) |
| Halogen-free                    | no                             |

# G-INS-PG13,5-S68N-NNES-S - Cable gland



1411173

<https://www.phoenixcontact.com/us/products/1411173>

## Environmental and real-life conditions

### Ambient conditions

|                                 |                                 |
|---------------------------------|---------------------------------|
| Degree of protection            | IP66                            |
|                                 | IP68 (5 bar, 30 min.)           |
|                                 | IP69 (DIN EN 60529 / IEC 60529) |
| Enclosure rating (NEMA)         | 4X                              |
| Ambient temperature (operation) | -40 °C ... 100 °C (static)      |

# G-INS-PG13,5-S68N-NNES-S - Cable gland

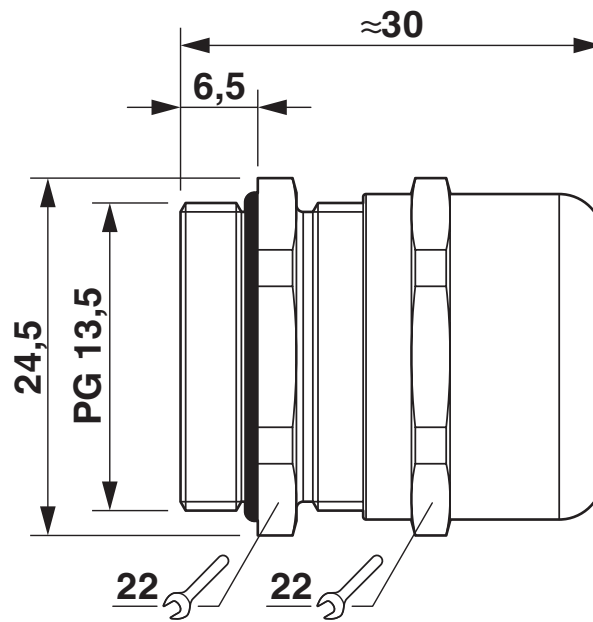


1411173

<https://www.phoenixcontact.com/us/products/1411173>

## Drawings

Dimensional drawing



Dimensional drawing

# G-INS-PG13,5-S68N-NNES-S - Cable gland



1411173

<https://www.phoenixcontact.com/us/products/1411173>

## Approvals

To download certificates, visit the product detail page: <https://www.phoenixcontact.com/us/products/1411173>

**DNV**

Approval ID: TAE00003WY



**cUL Recognized**

Approval ID: E199260



**UL Recognized**

Approval ID: E199260

# G-INS-PG13,5-S68N-NNES-S - Cable gland



1411173

<https://www.phoenixcontact.com/us/products/1411173>

## Classifications

### ECLASS

|             |          |
|-------------|----------|
| ECLASS-13.0 | 27140801 |
| ECLASS-15.0 | 27140801 |

### ETIM

|           |          |
|-----------|----------|
| ETIM 10.0 | EC000441 |
|-----------|----------|

### UNSPSC

|             |          |
|-------------|----------|
| UNSPSC 21.0 | 39121300 |
|-------------|----------|

# G-INS-PG13,5-S68N-NNES-S - Cable gland



1411173

<https://www.phoenixcontact.com/us/products/1411173>

## Environmental product compliance

### EU RoHS

|   |      |
|---|------|
| Fulfills EU RoHS substance requirements | Yes  |
| Exemption                               | 6(c) |

### China RoHS

|  |   |
|--|---|
| Environment friendly use period (EFUP) | EFUP-50   |
|  | An article-related China RoHS declaration table can be found in the download area for the respective article under "Manufacturer declaration". For all articles with EFUP-E, no China RoHS declaration table issued and required. |

### EU REACH SVHC

|                                     |                                      |
|-------------------------------------|--------------------------------------|
| REACH candidate substance (CAS No.) | Lead(CAS: 7439-92-1)                 |
| SCIP                                | 031f97fc-13f7-49fb-ad54-350148e3269d |

Phoenix Contact 2026 © - all rights reserved

<https://www.phoenixcontact.com>

Phoenix Contact USA  
586 Fulling Mill Road  
Middletown, PA 17057, United States  
(+717) 944-1300  
[info@phoenixcon.com](mailto:info@phoenixcon.com)