

# G-INS-PG11-S68N-NNES-S - Cable gland



1411172

<https://www.phoenixcontact.com/us/products/1411172>

Please be informed that the data shown in this PDF document is generated from our online catalog. Please find the complete data in the user documentation. Our general terms of use for downloads are valid.



Cable gland, material for screw connection: Brass, nickel-plated, application: Standard, external cable diameter 5 mm ... 10 mm, shielding: no, connecting thread: Pg11, color: silver-colored, with O-ring

## Commercial data

Item number	1411172
Packing unit	5 pc
Minimum order quantity	1 pc
Sales key	BF68
Product key	AF7DAX
GTIN	4046356923064
Weight per piece (including packing)	26.22 g
Weight per piece (excluding packing)	20 g
Customs tariff number	74198090
Country of origin	TR

# G-INS-PG11-S68N-NNES-S - Cable gland



1411172

<https://www.phoenixcontact.com/us/products/1411172>

## Technical data

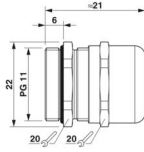
### Mounting

Assembly note	1) Mount screw connection support in the housing using the correct torque 2) Insert cable 3) Tighten union nut using the correct torque
---------------	---

### Product properties

Product type	Cable screw gland
Application	Standard
No. of conductors	1
Manufacturer	BIMED
Manufacturer Designation	BSBC-03
Shielded	no

### Dimensions

Dimensional drawing	
Length	21 mm
Length of the connecting thread	6 mm
Hole diameter	18.7 mm ... 18.8 mm
Wrench size, union nut	20 mm
Wrench size, support	20 mm
Hexagon angular dimension	22 mm
Thread type connection side	Pg11

### Connection data

Tightening torque	7 Nm $\pm$ 0.5 Nm (Cap nut)
	5 Nm (Support sleeve)

### Material specifications

Color	brass color
Material Compression ring	PA 6
Seal material O-ring	Perbunan
Seal material Cable seal	CR
Material for screw connection	Brass, nickel-plated

### Cable/line

External cable diameter Cable 1	5 mm ... 10 mm
External cable diameter	6 mm ... 10 mm (for UL 514 B)
Halogen-free	no

# G-INS-PG11-S68N-NNES-S - Cable gland



1411172

<https://www.phoenixcontact.com/us/products/1411172>

## Environmental and real-life conditions

### Ambient conditions

Degree of protection	IP66
	IP68 (5 bar, 30 min.)
	IP69 (DIN EN 60529 / IEC 60529)
Enclosure rating (NEMA)	4X
Ambient temperature (operation)	-40 °C ... 100 °C (static)

# G-INS-PG11-S68N-NNES-S - Cable gland

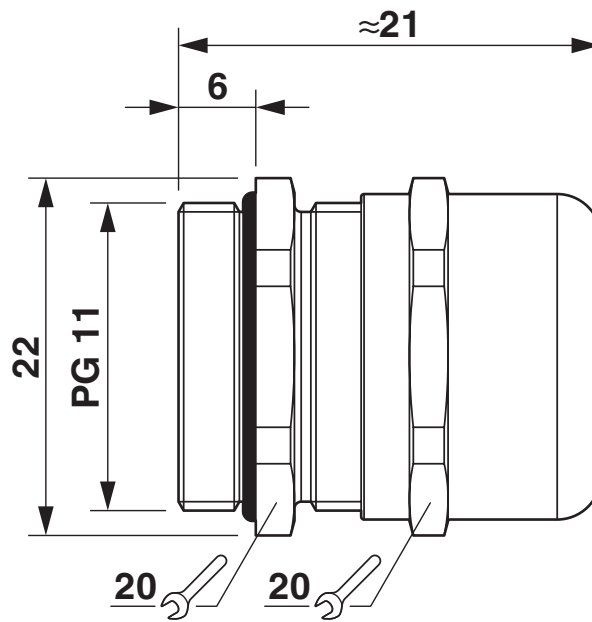


1411172

<https://www.phoenixcontact.com/us/products/1411172>

## Drawings

Dimensional drawing



Dimensional drawing

# G-INS-PG11-S68N-NNES-S - Cable gland



1411172

<https://www.phoenixcontact.com/us/products/1411172>

## Approvals

🔗 To download certificates, visit the product detail page: <https://www.phoenixcontact.com/us/products/1411172>

**DNV**

Approval ID: TAE00003WY



**cUL Recognized**

Approval ID: E199260



**UL Recognized**

Approval ID: E199260

# G-INS-PG11-S68N-NNES-S - Cable gland



1411172

<https://www.phoenixcontact.com/us/products/1411172>

## Classifications

### ECLASS

ECLASS-13.0	27140801
ECLASS-15.0	27140801

### ETIM

ETIM 10.0	EC000441
-----------	----------

### UNSPSC

UNSPSC 21.0	39121300
-------------	----------

# G-INS-PG11-S68N-NNES-S - Cable gland



1411172

<https://www.phoenixcontact.com/us/products/1411172>

## Environmental product compliance

### EU RoHS

Fulfills EU RoHS substance requirements	Yes
Exemption	6(c)

### China RoHS

Environment friendly use period (EFUP)	EFUP-50
	An article-related China RoHS declaration table can be found in the download area for the respective article under "Manufacturer declaration". For all articles with EFUP-E, no China RoHS declaration table issued and required.

### EU REACH SVHC

REACH candidate substance (CAS No.)	Lead(CAS: 7439-92-1)
SCIP	16dbf182-0e80-47e9-a20a-539ff17e48b1

Phoenix Contact 2026 © - all rights reserved

<https://www.phoenixcontact.com>

Phoenix Contact USA  
586 Fulling Mill Road  
Middletown, PA 17057, United States  
(+717) 944-1300  
[info@phoenixcon.com](mailto:info@phoenixcon.com)