

G-INS-M63-L68N-NNES-S - Cable gland



1411169

<https://www.phoenixcontact.com/us/products/1411169>

Please be informed that the data shown in this PDF document is generated from our online catalog. Please find the complete data in the user documentation. Our general terms of use for downloads are valid.



Cable gland, material for screw connection: Brass, nickel-plated, application: Standard, external cable diameter 34 mm ... 44 mm, shielding: no, connecting thread: M63 x 1.5, color: silver-colored, with O-ring

Commercial data

Item number	1411169
Packing unit	1 pc
Minimum order quantity	1 pc
Sales key	BF68
Product key	AF7DAX
GTIN	4046356923033
Weight per piece (including packing)	433.4 g
Weight per piece (excluding packing)	22.22 g
Customs tariff number	74198090
Country of origin	TR

G-INS-M63-L68N-NNES-S - Cable gland



1411169

<https://www.phoenixcontact.com/us/products/1411169>

Technical data

Mounting

Assembly note	1) Mount screw connection support in the housing using the correct torque 2) Insert cable 3) Tighten union nut using the correct torque
---------------	---

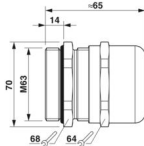
Product properties

Product type	Cable screw gland
Application	Standard
No. of conductors	1
Manufacturer	BIMED
Manufacturer Designation	BMBC-07
Shielded	no
Execution of the strain relief	A

Characteristics

Category of shock impact	7
Design, Strain relief	A

Dimensions

Dimensional drawing	
Length	65 mm
Length of the connecting thread	14 mm
Hole diameter	63.1 mm ... 63.3 mm
Wrench size, union nut	64 mm
Wrench size, support	68 mm
Hexagon angular dimension	70 mm
Thread type connection side	M63 x 1.5
Thread pitch	1.5 mm

Connection data

Tightening torque	55 Nm \pm 2 Nm (Cap nut)
	25 Nm (Support sleeve)

Material specifications

Color	brass color
Material Compression ring	PA 6
Seal material O-ring	Perbunan
Seal material Cable seal	CR

G-INS-M63-L68N-NNES-S - Cable gland



1411169

<https://www.phoenixcontact.com/us/products/1411169>

Material for screw connection	Brass, nickel-plated
-------------------------------	----------------------

Cable/line

External cable diameter Cable 1	34 mm ... 44 mm
Halogen-free	no

Environmental and real-life conditions

Ambient conditions

Degree of protection	IP66
	IP68 (5 bar, 30 min.)
	IP69 (DIN EN 60529 / IEC 60529)
Enclosure rating (NEMA)	4X
Ambient temperature (operation)	-40 °C ... 100 °C (static)

G-INS-M63-L68N-NNES-S - Cable gland

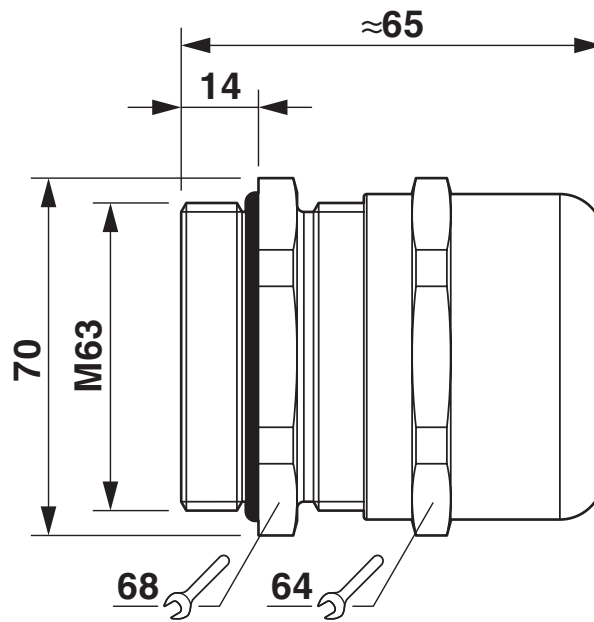
1411169

<https://www.phoenixcontact.com/us/products/1411169>



Drawings

Dimensional drawing



Dimensional drawing

G-INS-M63-L68N-NNES-S - Cable gland



1411169

<https://www.phoenixcontact.com/us/products/1411169>

Approvals

🔗 To download certificates, visit the product detail page: <https://www.phoenixcontact.com/us/products/1411169>

DNV

Approval ID: TAE00003WY



UL Listed

Approval ID: E199260



cUL Listed

Approval ID: E199260

G-INS-M63-L68N-NNES-S - Cable gland



1411169

<https://www.phoenixcontact.com/us/products/1411169>

Classifications

ECLASS

ECLASS-13.0	27140801
ECLASS-15.0	27140801

ETIM

ETIM 10.0	EC000441
-----------	----------

UNSPSC

UNSPSC 21.0	39121300
-------------	----------

1411169

<https://www.phoenixcontact.com/us/products/1411169>

Environmental product compliance

EU RoHS

Fulfills EU RoHS substance requirements	Yes
Exemption	6(c)

China RoHS

Environment friendly use period (EFUP)	EFUP-50
	An article-related China RoHS declaration table can be found in the download area for the respective article under "Manufacturer declaration". For all articles with EFUP-E, no China RoHS declaration table issued and required.

EU REACH SVHC

REACH candidate substance (CAS No.)	Lead(CAS: 7439-92-1)
SCIP	36b9e9a6-215a-40df-83c8-493c0fe4f22a

Phoenix Contact 2026 © - all rights reserved

<https://www.phoenixcontact.com>

Phoenix Contact USA
586 Fulling Mill Road
Middletown, PA 17057, United States
(+717) 944-1300
info@phoenixcon.com