

G-INS-M16-S68N-NNES-S - Cable gland



1411162

<https://www.phoenixcontact.com/us/products/1411162>

Please be informed that the data shown in this PDF document is generated from our online catalog. Please find the complete data in the user documentation. Our general terms of use for downloads are valid.



Cable gland, material for screw connection: Brass, nickel-plated, application: Standard, external cable diameter 5 mm ... 10 mm, shielding: no, connecting thread: M16 x 1.5, color: silver-colored, with O-ring

Commercial data

Item number	1411162
Packing unit	10 pc
Minimum order quantity	10 pc
Sales key	BF68
Product key	AF7DAX
GTIN	4046356922975
Weight per piece (including packing)	27.2 g
Weight per piece (excluding packing)	26.14 g
Customs tariff number	74198090
Country of origin	TR

G-INS-M16-S68N-NNES-S - Cable gland



1411162

<https://www.phoenixcontact.com/us/products/1411162>

Technical data

Mounting

Assembly note	1) Mount screw connection support in the housing using the correct torque 2) Insert cable 3) Tighten union nut using the correct torque
---------------	---

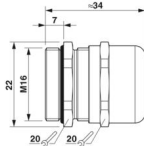
Product properties

Product type	Cable screw gland
Application	Standard
No. of conductors	1
Manufacturer	BIMED
Manufacturer Designation	BMBC-E1
Shielded	no
Execution of the strain relief	A

Characteristics

Category of shock impact	6
Design, Strain relief	A

Dimensions

Dimensional drawing	
Length	34 mm
Length of the connecting thread	7 mm
Hole diameter	16.1 mm ... 16.3 mm
Wrench size, union nut	20 mm
Wrench size, support	20 mm
Hexagon angular dimension	22 mm
Thread type connection side	M16 x 1.5
Thread pitch	1.5 mm

Connection data

Tightening torque	8 Nm \pm 0.5 Nm (Cap nut)
	4 Nm (Support sleeve)

Material specifications

Color	brass color
Material Compression ring	PA 6
Seal material O-ring	Perbunan
Seal material Cable seal	CR

G-INS-M16-S68N-NNES-S - Cable gland



1411162

<https://www.phoenixcontact.com/us/products/1411162>

Material for screw connection	Brass, nickel-plated
-------------------------------	----------------------

Cable/line

External cable diameter Cable 1	5 mm ... 10 mm
External cable diameter	6 mm ... 10 mm (for UL 514 B)
Halogen-free	no

Environmental and real-life conditions

Ambient conditions

Degree of protection	IP66
	IP68 (5 bar, 30 min.)
	IP69 (DIN EN 60529 / IEC 60529)
Enclosure rating (NEMA)	4X
Ambient temperature (operation)	-40 °C ... 100 °C (static)

G-INS-M16-S68N-NNES-S - Cable gland

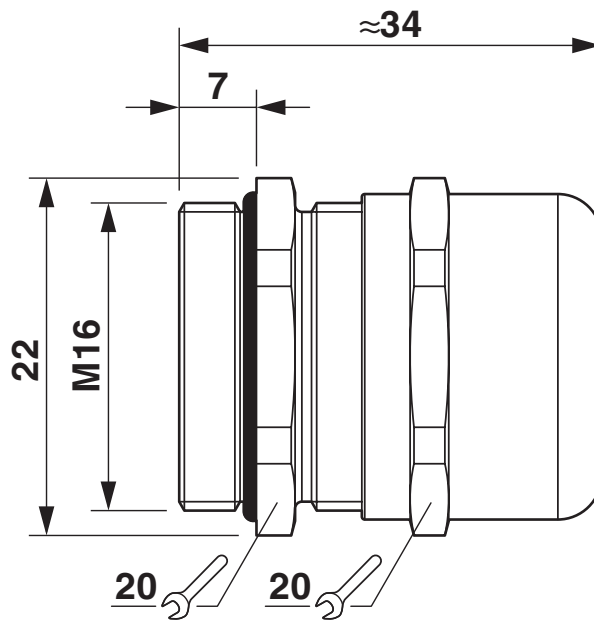


1411162

<https://www.phoenixcontact.com/us/products/1411162>

Drawings

Dimensional drawing



Dimensional drawing

G-INS-M16-S68N-NNES-S - Cable gland



1411162

<https://www.phoenixcontact.com/us/products/1411162>

Approvals

🔗 To download certificates, visit the product detail page: <https://www.phoenixcontact.com/us/products/1411162>

DNV

Approval ID: TAE00003WY



cUL Recognized

Approval ID: E199260



UL Recognized

Approval ID: E199260

G-INS-M16-S68N-NNES-S - Cable gland



1411162

<https://www.phoenixcontact.com/us/products/1411162>

Classifications

ECLASS

ECLASS-13.0	27140801
ECLASS-15.0	27140801

ETIM

ETIM 10.0	EC000441
-----------	----------

UNSPSC

UNSPSC 21.0	39121300
-------------	----------

G-INS-M16-S68N-NNES-S - Cable gland



1411162

<https://www.phoenixcontact.com/us/products/1411162>

Environmental product compliance

EU RoHS

Fulfills EU RoHS substance requirements	Yes
Exemption	6(c)

China RoHS

Environment friendly use period (EFUP)	EFUP-50
	An article-related China RoHS declaration table can be found in the download area for the respective article under "Manufacturer declaration". For all articles with EFUP-E, no China RoHS declaration table issued and required.

EU REACH SVHC

REACH candidate substance (CAS No.)	Lead(CAS: 7439-92-1)
SCIP	07b70bb2-ea03-4b2b-848f-22daf5f6229f

Phoenix Contact 2026 © - all rights reserved

<https://www.phoenixcontact.com>

Phoenix Contact USA
586 Fulling Mill Road
Middletown, PA 17057, United States
(+717) 944-1300
info@phoenixcon.com