

# G-INS-N1-M68L-PNES-GY - Cable gland



1411155

<https://www.phoenixcontact.com/us/products/1411155>

Please be informed that the data shown in this PDF document is generated from our online catalog. Please find the complete data in the user documentation. Our general terms of use for downloads are valid.



Cable gland, material for screw connection: PA, application: Standard, external cable diameter 18 mm ... 25 mm, shielding: no, connecting thread: 1"-NPT, color: silver-gray RAL 7001

## Your advantages

- Plastic material conforms to UL 746C f1

## Commercial data

Item number	1411155
Packing unit	5 pc
Minimum order quantity	1 pc
Sales key	BF68
Product key	AF7DCX
GTIN	4046356922906
Weight per piece (including packing)	40.91 g
Weight per piece (excluding packing)	40.91 g
Customs tariff number	39269097
Country of origin	TR

# G-INS-N1-M68L-PNES-GY - Cable gland

1411155

<https://www.phoenixcontact.com/us/products/1411155>

## Technical data

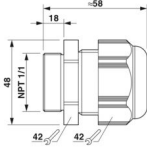
### Mounting

Assembly note	1) Mount screw connection support in the housing using the correct torque 2) Insert cable 3) Tighten union nut using the correct torque
---------------	---

### Product properties

Product type	Cable screw gland
Application	Standard
No. of conductors	1
Manufacturer	BIMED
Manufacturer Designation	BSP-04
Shielded	no

### Dimensions

Dimensional drawing	
Length	58 mm
Length of the connecting thread	18 mm
Wrench size, union nut	42 mm
Wrench size, support	42 mm
Hexagon angular dimension	48 mm
Thread type connection side	1"-NPT

### Connection data

Tightening torque	9.5 Nm $\pm$ 0.5 Nm (Cap nut)
	4 Nm (Support sleeve)

### Material specifications

Color	silver gray (RAL 7001)
Material Housing	PA (Housing)
Flammability rating according to UL 94	V2
Seal material Cable seal	CR
Material for screw connection	PA

### Cable/line

External cable diameter	18 mm ... 25 mm
	18 mm ... 25 mm (for UL 514 B)
Halogen-free	no

# G-INS-N1-M68L-PNES-GY - Cable gland



1411155

<https://www.phoenixcontact.com/us/products/1411155>

## Environmental and real-life conditions

### Ambient conditions

Degree of protection	IP68 (5 bar / 0.5 h)
	IP66
Ambient temperature (operation)	-40 °C ... 100 °C (static)

# G-INS-N1-M68L-PNES-GY - Cable gland

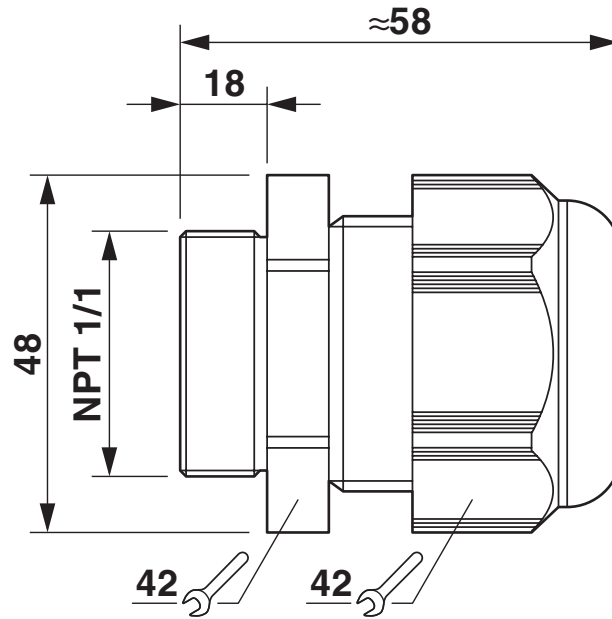
1411155

<https://www.phoenixcontact.com/us/products/1411155>



## Drawings

Dimensional drawing



# G-INS-N1-M68L-PNES-GY - Cable gland



1411155

<https://www.phoenixcontact.com/us/products/1411155>

## Approvals

To download certificates, visit the product detail page: <https://www.phoenixcontact.com/us/products/1411155>



**UL Listed**

Approval ID: E199260



**cUL Listed**

Approval ID: E199260

# G-INS-N1-M68L-PNES-GY - Cable gland



1411155

<https://www.phoenixcontact.com/us/products/1411155>

## Classifications

### ECLASS

ECLASS-13.0	27140801
ECLASS-15.0	27140801

### ETIM

ETIM 10.0	EC000441
-----------	----------

### UNSPSC

UNSPSC 21.0	39121300
-------------	----------

# G-INS-N1-M68L-PNES-GY - Cable gland



1411155

<https://www.phoenixcontact.com/us/products/1411155>

## Environmental product compliance

### EU RoHS

Fulfills EU RoHS substance requirements	Yes, No exemptions
---	--------------------

### China RoHS

Environment friendly use period (EFUP)	EFUP-E
	No hazardous substances above the limits

### EU REACH SVHC

REACH candidate substance (CAS No.)	No substance above 0.1 wt%
-------------------------------------	----------------------------

Phoenix Contact 2026 © - all rights reserved  
<https://www.phoenixcontact.com>

Phoenix Contact USA  
586 Fulling Mill Road  
Middletown, PA 17057, United States  
(+717) 944-1300  
[info@phoenixcon.com](mailto:info@phoenixcon.com)