

# G-INS-N3/8-S68L-PNES-GY - Cable gland



1411152

<https://www.phoenixcontact.com/us/products/1411152>

Please be informed that the data shown in this PDF document is generated from our online catalog. Please find the complete data in the user documentation. Our general terms of use for downloads are valid.



Cable gland, material for screw connection: PA, application: Standard, external cable diameter 5 mm ... 10 mm, shielding: no, connecting thread: 3/8" NPT, color: silver-gray RAL 7001

## Your advantages

- Plastic material conforms to UL 746C f1

## Commercial data

|                                      |               |
|--------------------------------------|---------------|
| Item number                          | 1411152       |
| Packing unit                         | 10 pc         |
| Minimum order quantity               | 1 pc          |
| Sales key                            | BF68          |
| Product key                          | AF7DCX        |
| GTIN                                 | 4046356922876 |
| Weight per piece (including packing) | 10.33 g       |
| Weight per piece (excluding packing) | 10.33 g       |
| Customs tariff number                | 39269097      |
| Country of origin                    | TR            |

# G-INS-N3/8-S68L-PNES-GY - Cable gland



1411152

<https://www.phoenixcontact.com/us/products/1411152>

## Technical data

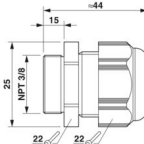
### Mounting

|               |   |
|---------------|---|
| Assembly note | 1) Mount screw connection support in the housing using the correct torque 2) Insert cable 3) Tighten union nut using the correct torque |
|---------------|---|

### Product properties

|                          |                   |
|--------------------------|-------------------|
| Product type             | Cable screw gland |
| Application              | Standard          |
| No. of conductors        | 1                 |
| Manufacturer             | BIMED             |
| Manufacturer Designation | BSPA-01           |
| Shielded                 | no                |

### Dimensions

|                                 |  |
|---------------------------------|--|
| Dimensional drawing             |  |
| Length                          | 44 mm  |
| Length of the connecting thread | 15 mm  |
| Wrench size, union nut          | 22 mm  |
| Wrench size, support            | 22 mm  |
| Hexagon angular dimension       | 25 mm  |
| Thread type connection side     | 3/8" NPT   |

### Connection data

|                   |  |
|-------------------|--|
| Tightening torque | 2.5 Nm $\pm$ 0.5 Nm (Cap nut)<br>1 Nm (Support sleeve) |
|-------------------|--|

### Material specifications

|  |                        |
|--|------------------------|
| Color                                  | silver gray (RAL 7001) |
| Material Housing                       | PA (Housing)           |
| Flammability rating according to UL 94 | V2                     |
| Seal material Cable seal               | CR                     |
| Material for screw connection          | PA                     |

### Cable/line

|                         |  |
|-------------------------|--|
| External cable diameter | 5 mm ... 10 mm<br>22 mm ... 32 mm (for UL 514 B) |
| Halogen-free            | no   |

# G-INS-N3/8-S68L-PNES-GY - Cable gland



1411152

<https://www.phoenixcontact.com/us/products/1411152>

## Environmental and real-life conditions

### Ambient conditions

|                                 |                            |
|---------------------------------|----------------------------|
| Degree of protection            | IP68 (5 bar / 0.5 h)       |
|                                 | IP66                       |
| Ambient temperature (operation) | -40 °C ... 100 °C (static) |

# G-INS-N3/8-S68L-PNES-GY - Cable gland

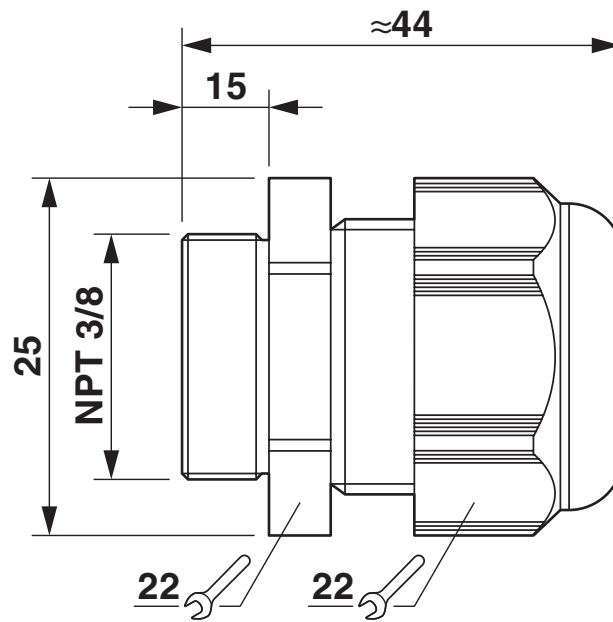
1411152

<https://www.phoenixcontact.com/us/products/1411152>



## Drawings

Dimensional drawing



# G-INS-N3/8-S68L-PNES-GY - Cable gland



1411152

<https://www.phoenixcontact.com/us/products/1411152>

## Approvals

🔗 To download certificates, visit the product detail page: <https://www.phoenixcontact.com/us/products/1411152>

**DNV**

Approval ID: TAE00003WX



**cUL Recognized**

Approval ID: E199260



**UL Recognized**

Approval ID: E199260

# G-INS-N3/8-S68L-PNES-GY - Cable gland



1411152

<https://www.phoenixcontact.com/us/products/1411152>

## Classifications

### ECLASS

|             |          |
|-------------|----------|
| ECLASS-13.0 | 27140801 |
| ECLASS-15.0 | 27140801 |

### ETIM

|           |          |
|-----------|----------|
| ETIM 10.0 | EC000441 |
|-----------|----------|

### UNSPSC

|             |          |
|-------------|----------|
| UNSPSC 21.0 | 39121300 |
|-------------|----------|

# G-INS-N3/8-S68L-PNES-GY - Cable gland



1411152

<https://www.phoenixcontact.com/us/products/1411152>

## Environmental product compliance

### EU RoHS

|   |                    |
|---|--------------------|
| Fulfills EU RoHS substance requirements | Yes, No exemptions |
|---|--------------------|

### China RoHS

|  |  |
|--|--|
| Environment friendly use period (EFUP) | EFUP-E                                   |
|  | No hazardous substances above the limits |

### EU REACH SVHC

|                                     |                            |
|-------------------------------------|----------------------------|
| REACH candidate substance (CAS No.) | No substance above 0.1 wt% |
|-------------------------------------|----------------------------|

### EF3.1 Climate Change

|         |               |
|---------|---------------|
| CO2e kg | 0.078 kg CO2e |
|---------|---------------|

Phoenix Contact 2026 © - all rights reserved  
<https://www.phoenixcontact.com>

Phoenix Contact USA  
586 Fulling Mill Road  
Middletown, PA 17057, United States  
(+717) 944-1300  
[info@phoenixcon.com](mailto:info@phoenixcon.com)