

# G-INS-PG21-M68N-PNES-GY - Cable gland



1411145

<https://www.phoenixcontact.com/us/products/1411145>

Please be informed that the data shown in this PDF document is generated from our online catalog. Please find the complete data in the user documentation. Our general terms of use for downloads are valid.



Cable gland, material for screw connection: PA, application: Standard, external cable diameter 13 mm ... 18 mm, shielding: no, connecting thread: Pg21, color: silver-gray RAL 7001

## Your advantages

- Plastic material conforms to UL 746C f1

## Commercial data

Item number	1411145
Packing unit	5 pc
Minimum order quantity	1 pc
Sales key	BF68
Product key	AF7DCX
GTIN	4046356922814
Weight per piece (including packing)	21.53 g
Weight per piece (excluding packing)	21.44 g
Customs tariff number	39269097
Country of origin	TR

# G-INS-PG21-M68N-PNES-GY - Cable gland



1411145

<https://www.phoenixcontact.com/us/products/1411145>

## Technical data

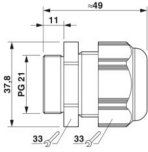
### Mounting

Assembly note	1) Mount screw connection support in the housing using the correct torque 2) Insert cable 3) Tighten union nut using the correct torque
---------------	---

### Product properties

Product type	Cable screw gland
Application	Standard
No. of conductors	1
Manufacturer	BIMED
Manufacturer Designation	BS-06
Shielded	no

### Dimensions

Dimensional drawing	
Length	49 mm
Length of the connecting thread	11 mm
Hole diameter	28.4 mm ... 28.6 mm
Wrench size, union nut	33 mm
Wrench size, support	33 mm
Hexagon angular dimension	37.8 mm
Thread type connection side	Pg21

### Connection data

Tightening torque	5.5 Nm $\pm$ 0.5 Nm (Cap nut) 3.5 Nm (Support sleeve)
-------------------	--

### Material specifications

Color	silver gray (RAL 7001)
Material Housing	PA (Housing)
Flammability rating according to UL 94	V2
Seal material Cable seal	CR
Material for screw connection	PA

### Cable/line

External cable diameter Cable 1	13 mm ... 18 mm
External cable diameter	13 mm ... 18 mm (for UL 514 B)
Halogen-free	no

# G-INS-PG21-M68N-PNES-GY - Cable gland



1411145

<https://www.phoenixcontact.com/us/products/1411145>

## Environmental and real-life conditions

### Ambient conditions

Degree of protection	IP66
	IP68 (5 bar / 0.5 h)
Enclosure rating (NEMA)	1
	4
	4X
	12
	13
Ambient temperature (operation)	-40 °C ... 100 °C (static)

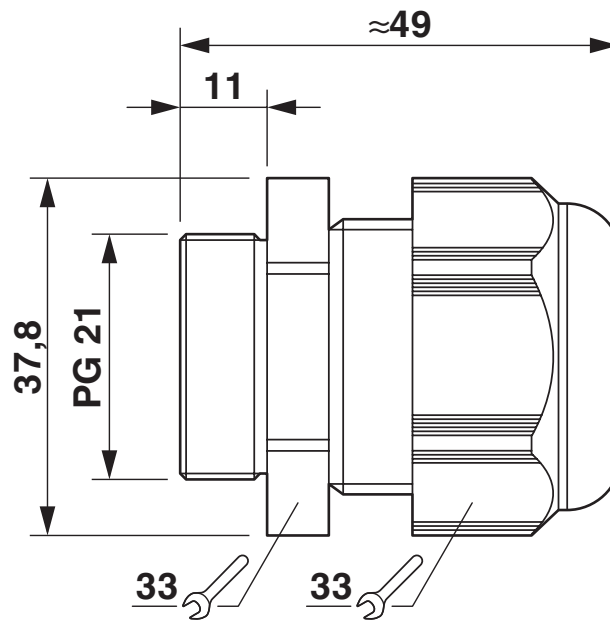
# G-INS-PG21-M68N-PNES-GY - Cable gland

1411145

<https://www.phoenixcontact.com/us/products/1411145>

## Drawings

Dimensional drawing



Dimensional drawing

# G-INS-PG21-M68N-PNES-GY - Cable gland



1411145

<https://www.phoenixcontact.com/us/products/1411145>

## Approvals

To download certificates, visit the product detail page: <https://www.phoenixcontact.com/us/products/1411145>

### **DNV**

Approval ID: TAE0003WX



### **CSA**

Approval ID: 115116



### **UL Listed**

Approval ID: E199260



### **cUL Listed**

Approval ID: E199260

# G-INS-PG21-M68N-PNES-GY - Cable gland



1411145

<https://www.phoenixcontact.com/us/products/1411145>

## Classifications

### ECLASS

ECLASS-13.0	27140801
ECLASS-15.0	27140801

### ETIM

ETIM 10.0	EC000441
-----------	----------

### UNSPSC

UNSPSC 21.0	39121300
-------------	----------

# G-INS-PG21-M68N-PNES-GY - Cable gland



1411145

<https://www.phoenixcontact.com/us/products/1411145>

## Environmental product compliance

### EU RoHS

Fulfills EU RoHS substance requirements	Yes, No exemptions
---	--------------------

### China RoHS

Environment friendly use period (EFUP)	EFUP-E
	No hazardous substances above the limits

### EU REACH SVHC

REACH candidate substance (CAS No.)	No substance above 0.1 wt%
-------------------------------------	----------------------------

Phoenix Contact 2026 © - all rights reserved  
<https://www.phoenixcontact.com>

Phoenix Contact USA  
586 Fulling Mill Road  
Middletown, PA 17057, United States  
(+717) 944-1300  
[info@phoenixcon.com](mailto:info@phoenixcon.com)