

# G-INS-M40-M68N-PNES-BK - Cable gland



1411137

<https://www.phoenixcontact.com/us/products/1411137>

Please be informed that the data shown in this PDF document is generated from our online catalog. Please find the complete data in the user documentation. Our general terms of use for downloads are valid.



Cable gland, material for screw connection: PA, application: Standard, external cable diameter 19 mm ... 28 mm, shielding: no, connecting thread: M40 x 1.5, color: jet black RAL 9005

## Your advantages

- Plastic material conforms to UL 746C f1

## Commercial data

Item number	1411137
Packing unit	5 pc
Minimum order quantity	5 pc
Sales key	BF68
Product key	AF7DCX
GTIN	4046356922692
Weight per piece (including packing)	47.1 g
Weight per piece (excluding packing)	46.93 g
Customs tariff number	39269097
Country of origin	TR

# G-INS-M40-M68N-PNES-BK - Cable gland



1411137

<https://www.phoenixcontact.com/us/products/1411137>

## Technical data

### Mounting

Assembly note	1) Mount screw connection support in the housing using the correct torque 2) Insert cable 3) Tighten union nut using the correct torque
---------------	---

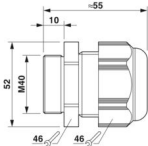
### Product properties

Product type	Cable screw gland
Application	Standard
No. of conductors	1
Manufacturer	BIMED
Manufacturer Designation	BM-EN-25
Shielded	no
Execution of the strain relief	A

### Characteristics

Category of shock impact	4
Design, Strain relief	A

### Dimensions

Dimensional drawing	
Length	55 mm
Length of the connecting thread	10 mm
Hole diameter	40.1 mm ... 40.3 mm
Wrench size, union nut	46 mm
Wrench size, support	46 mm
Hexagon angular dimension	52 mm
Thread type connection side	M40 x 1.5
Thread pitch	1.5 mm

### Connection data

Tightening torque	11 Nm $\pm$ 1 Nm (Cap nut)
	5 Nm (Support sleeve)

### Material specifications

Color	black (RAL 9005)
Material Housing	PA (Housing)
Flammability rating according to UL 94	V2
Seal material Cable seal	CR

# G-INS-M40-M68N-PNES-BK - Cable gland



1411137

<https://www.phoenixcontact.com/us/products/1411137>

Material for screw connection	PA
-------------------------------	----

## Cable/line

External cable diameter Cable 1	19 mm ... 28 mm
External cable diameter	19 mm ... 28 mm (for UL 514 B)
Halogen-free	no

## Environmental and real-life conditions

### Ambient conditions

Degree of protection	IP66
	IP68 (5 bar / 0.5 h)
Enclosure rating (NEMA)	1
	4
	4X
	12
	13
Ambient temperature (operation)	-40 °C ... 100 °C (static)

# G-INS-M40-M68N-PNES-BK - Cable gland

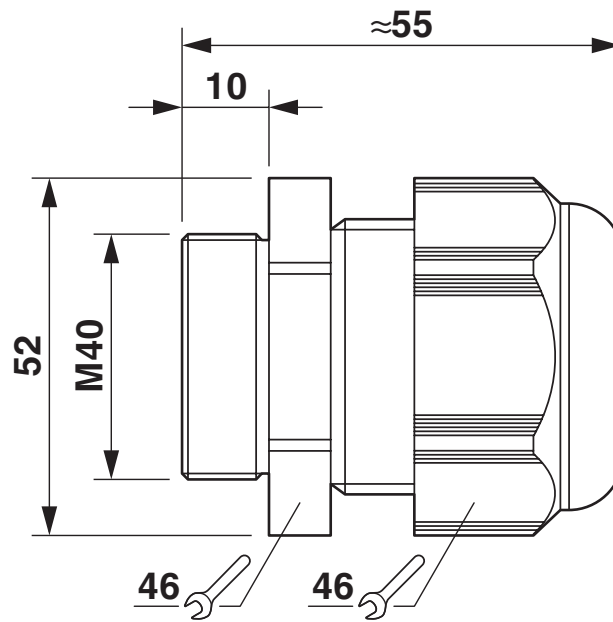


1411137

<https://www.phoenixcontact.com/us/products/1411137>

## Drawings

Dimensional drawing



Dimensional drawing

# G-INS-M40-M68N-PNES-BK - Cable gland



1411137

<https://www.phoenixcontact.com/us/products/1411137>

## Approvals

To download certificates, visit the product detail page: <https://www.phoenixcontact.com/us/products/1411137>

### DNV

Approval ID: TAE00003WX



### CSA

Approval ID: 115116



### VDE Zeichengenehmigung

Approval ID: 40024424



### UL Listed

Approval ID: E199260

# G-INS-M40-M68N-PNES-BK - Cable gland



1411137

<https://www.phoenixcontact.com/us/products/1411137>

## Classifications

### ECLASS

ECLASS-13.0	27140801
ECLASS-15.0	27140801

### ETIM

ETIM 10.0	EC000441
-----------	----------

### UNSPSC

UNSPSC 21.0	39121300
-------------	----------

# G-INS-M40-M68N-PNES-BK - Cable gland



1411137

<https://www.phoenixcontact.com/us/products/1411137>

## Environmental product compliance

### EU RoHS

Fulfills EU RoHS substance requirements	Yes, No exemptions
---	--------------------

### China RoHS

Environment friendly use period (EFUP)	EFUP-E
	No hazardous substances above the limits

### EU REACH SVHC

REACH candidate substance (CAS No.)	No substance above 0.1 wt%
-------------------------------------	----------------------------

Phoenix Contact 2026 © - all rights reserved  
<https://www.phoenixcontact.com>

Phoenix Contact USA  
586 Fulling Mill Road  
Middletown, PA 17057, United States  
(+717) 944-1300  
[info@phoenixcon.com](mailto:info@phoenixcon.com)