

A-EXSH-M20-68L-S-S - Screw plug



1411105

<https://www.phoenixcontact.com/us/products/1411105>

Please be informed that the data shown in this PDF document is generated from our online catalog. Please find the complete data in the user documentation. Our general terms of use for downloads are valid.



Screw plug, material for screw connection: Stainless steel 316L, application: Ex, connecting thread: M20 x 1.5, color: silver-colored

Commercial data

Item number	1411105
Packing unit	20 pc
Minimum order quantity	1 pc
Sales key	BF68
Product key	AF7DDX
GTIN	4046356922203
Weight per piece (including packing)	55.67 g
Weight per piece (excluding packing)	55.39 g
Customs tariff number	73269098
Country of origin	GB

A-EXSH-M20-68L-S-S - Screw plug

1411105

<https://www.phoenixcontact.com/us/products/1411105>

Technical data

Notes

Note on Ex protection	This item must only be used with counter nut 1411249 A-INL-M20-S-S for the Ex e type of protection.
-----------------------	---

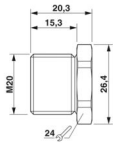
Product properties

Product type	Plug for cable screw gland
Application	Ex
Manufacturer	CMP
Manufacturer Designation	757 M20 Exd/Exe HEX HEAD STOP S/STEEL
Manufacturer product number	757DM24

Ex data

Suited for EX-applications	yes
----------------------------	-----

Dimensions

Dimensional drawing	
Length	24 mm
Length of the connecting thread	15 mm
Length without connecting thread	9 mm
Diameter	20 mm
Connecting thread diameter	20 mm
Wrench size, union nut	24 mm
Hexagon angular dimension	26.4 mm
Thread type connection side	M20 x 1.5
Thread pitch	1.5 mm

Material specifications

Material for screw connection	Stainless steel 316L
-------------------------------	----------------------

Environmental and real-life conditions

Ambient conditions

Degree of protection	IP66 (using the corresponding A-SEW-...P-W flat gasket) IP68 (using the corresponding A-SEW-...P-W flat gasket)
Ambient temperature (operation)	-60 °C ... 130 °C

Approvals

Sira 01ATEX1284U

A-EXSH-M20-68L-S-S - Screw plug



1411105

<https://www.phoenixcontact.com/us/products/1411105>

ATEX	Sira 02ATEX1003X
	Ex II 2 GD Ex d IIC & Ex e II, Ex IM2 Ex d I, Ex e I
IECEX	IECEX SIR 07.0056X
	Ex d I / Ex e I / Ex d IIC / Ex e II, Ex tD A21 IP6X

Standards and regulations

EN Ex

Standards/specifications	EN 60079-0, -1, -7
--------------------------	--------------------

IEC Ex

Standards/specifications	IEC 60079-0, -1, -7
--------------------------	---------------------

EN Ex

Standards/specifications	EN 61241-0, -1
--------------------------	----------------

IEC Ex

Standards/specifications	IEC 61241-0, -1
--------------------------	-----------------

Mounting

Assembly note	Sealed to IP66/IP68 thanks to the use of the A-SEW-20-P-W flat gasket (item 1411283)
---------------	--

A-EXSH-M20-68L-S-S - Screw plug

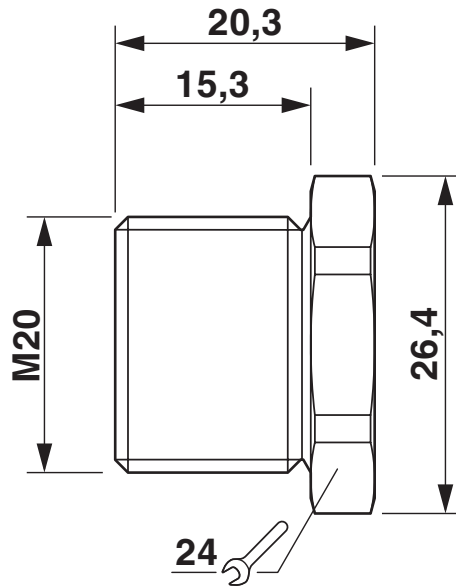
1411105

<https://www.phoenixcontact.com/us/products/1411105>



Drawings

Dimensional drawing



A-EXSH-M20-68L-S-S - Screw plug



1411105

<https://www.phoenixcontact.com/us/products/1411105>

Approvals

To download certificates, visit the product detail page: <https://www.phoenixcontact.com/us/products/1411105>



CSA

Approval ID: 113642



UL Listed

Approval ID: E214221



ATEX

Approval ID: CML 18ATEX1320X

A-EXSH-M20-68L-S-S - Screw plug



1411105

<https://www.phoenixcontact.com/us/products/1411105>

Classifications

ECLASS

ECLASS-13.0	23111190
ECLASS-15.0	27140805

ETIM

ETIM 10.0	EC000032
-----------	----------

UNSPSC

UNSPSC 21.0	31261500
-------------	----------

A-EXSH-M20-68L-S-S - Screw plug



1411105

<https://www.phoenixcontact.com/us/products/1411105>

Environmental product compliance

EU RoHS

Fulfills EU RoHS substance requirements	Yes
Exemption	6(c)

China RoHS

Environment friendly use period (EFUP)	EFUP-50
	An article-related China RoHS declaration table can be found in the download area for the respective article under "Manufacturer declaration". For all articles with EFUP-E, no China RoHS declaration table issued and required.

EU REACH SVHC

REACH candidate substance (CAS No.)	Lead(CAS: 7439-92-1)
SCIP	a7d0be7a-11c9-4a8a-aeb7-a9dfaba23264

Phoenix Contact 2026 © - all rights reserved

<https://www.phoenixcontact.com>

Phoenix Contact USA
586 Fulling Mill Road
Middletown, PA 17057, United States
(+717) 944-1300
info@phoenixcon.com