

# G-ESSWU-M20S-S66L-NTES-S - Cable gland



1411088

<https://www.phoenixcontact.com/us/products/1411088>

Please be informed that the data shown in this PDF document is generated from our online catalog. Please find the complete data in the user documentation. Our general terms of use for downloads are valid.



Cable gland, material for screw connection: Brass, nickel-plated, application: Ex, external cable diameter 9.5 mm ... 15.9 mm, shielding: yes, connecting thread: M20 x 1.5, color: silver-colored

## Product description

Cable gland, for armored cables (SWA / AWA / PWA / STA / SWB / ASA / CY / SY)

## Your advantages

- If space is restricted at the fixing location of the screw connection, the armor can be attached at a location where there is more room to move. Final assembly can then be easily completed in the restricted space conditions at the fixing location of the screw connection.
- Armor connected via PE cone
- Weatherproof sealing material

## Commercial data

Item number	1411088
Packing unit	10 pc
Minimum order quantity	1 pc
Sales key	BF68
Product key	AF7DDX
GTIN	4046356922012
Weight per piece (including packing)	139.57 g
Weight per piece (excluding packing)	135.6 g
Customs tariff number	74198090
Country of origin	GB

## Technical data

### Mounting

Assembly note	With integrated grounding cones, sealed to IP66/IP67/IP68 thanks to the use of the A-SEW-20-P-W flat gasket (item 1411283)
	If space is restricted at the fixing location of the screw connection, the armor can be attached at a location where there is more room to move. Final assembly can then be easily completed in the restricted space conditions at the fixing location of the screw connection.

### Product properties

Product type	Cable screw gland
Application	Ex
No. of conductors	1
Manufacturer	CMP
Manufacturer Designation	20S C2K N. PLTD GLAND
Manufacturer product number	20SC2K1RA5
Shielded	yes
Execution of the strain relief	D

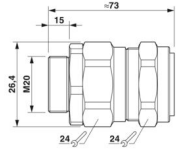
### Ex data

Cable types that can be used	Depending on the material of the housing wall (SWA/AWA/PWA/STA/ASA/CY/SY/SWB)
Suited for EX-applications	yes

### Characteristics

Category of shock impact	8
Cable diameter without armor	11.7 mm (Filler beneath the armor)
Design, Strain relief	D

### Dimensions

Dimensional drawing	
Length	73 mm
Length of the connecting thread	15 mm
Wrench size, union nut	24 mm
Wrench size, support	24 mm
Hexagon angular dimension	26.4 mm
Thread type connection side	M20 x 1.5
Thread pitch	1.5 mm

# G-ESSWU-M20S-S66L-NTES-S - Cable gland



1411088

<https://www.phoenixcontact.com/us/products/1411088>

Armor thickness	0.8 mm ... 1.25 mm (Stepped cone side (SWA/...))
	0 mm ... 0.8 mm (Grooved cone side (STA/...))

## Material specifications

Color	brass color
Seal material Cable seal	EPDM
Material for screw connection	Brass, nickel-plated

## Cable/line

External cable diameter	9.5 mm ... 15.9 mm
-------------------------	--------------------

## Environmental and real-life conditions

### Ambient conditions

Degree of protection	IP66 (using the corresponding A-SEW-...P-W flat gasket)
	IP67 (using the corresponding A-SEW-...P-W flat gasket)
	IP68 (using the corresponding A-SEW-...P-W flat gasket)
Ambient temperature (operation)	-60 °C ... 130 °C (static)

## Approvals

ATEX	Sira 13ATEX1070X
	Sira 13ATEX4076X
	Ex II 2G, II 1D, Ex e IIC Gb, Ex ta IIIC Da, Ex II 3G Ex nR IIC Gc
IECEX	IECEX SIR 13.0025X
	Ex e IIC Gb, Ex nR IIC Gc, Ex ta IIIC Da

## Standards and regulations

### EN Ex

Standards/specifications	EN 60079-0, -7, -15, -31
--------------------------	--------------------------

### IEC Ex

Standards/specifications	IEC 60079-0, -7, -15, -31
--------------------------	---------------------------

### Cable glands

Standards/specifications	EN 50262
--------------------------	----------

### Cable glands

Standards/specifications	BS 6121: Part 1:1989
--------------------------	----------------------

### Cable glands

Standards/specifications	IEC 62444
--------------------------	-----------

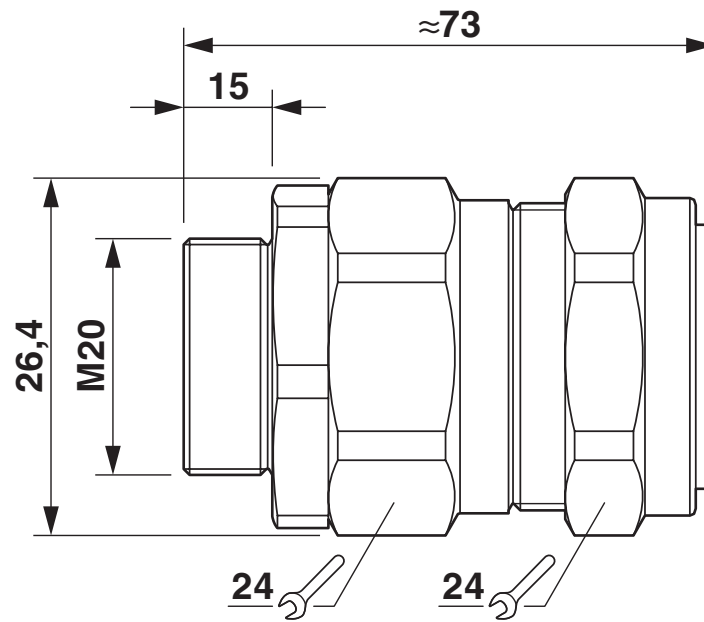
# G-ESSWU-M20S-S66L-NTES-S - Cable gland

1411088

<https://www.phoenixcontact.com/us/products/1411088>

## Drawings

Dimensional drawing



Dimensional drawing

# G-ESSWU-M20S-S66L-NTES-S - Cable gland



1411088

<https://www.phoenixcontact.com/us/products/1411088>

## Approvals

To download certificates, visit the product detail page: <https://www.phoenixcontact.com/us/products/1411088>



**EAC Ex**

Approval ID: RU C-GB.AA87.B.00487



**IECEX**

Approval ID: IECEX SIR 13.0025X



**ATEX**

Approval ID: CML 18ATEX1323X



**ATEX**

Approval ID: CML 18ATEX4315X

# G-ESSWU-M20S-S66L-NTES-S - Cable gland



1411088

<https://www.phoenixcontact.com/us/products/1411088>

## Classifications

### ECLASS

ECLASS-13.0	27140802
ECLASS-15.0	27140802

### ETIM

ETIM 10.0	EC000441
-----------	----------

### UNSPSC

UNSPSC 21.0	39121300
-------------	----------

1411088

<https://www.phoenixcontact.com/us/products/1411088>

## Environmental product compliance

### EU RoHS

Fulfills EU RoHS substance requirements	Yes
Exemption	6(c)

### China RoHS

Environment friendly use period (EFUP)	EFUP-50
	An article-related China RoHS declaration table can be found in the download area for the respective article under "Manufacturer declaration". For all articles with EFUP-E, no China RoHS declaration table issued and required.

### EU REACH SVHC

REACH candidate substance (CAS No.)	Lead(CAS: 7439-92-1)
SCIP	48cf54ae-6f80-4ede-bf03-1f3b425a63b5

Phoenix Contact 2026 © - all rights reserved

<https://www.phoenixcontact.com>

Phoenix Contact USA  
586 Fulling Mill Road  
Middletown, PA 17057, United States  
(+717) 944-1300  
[info@phoenixcon.com](mailto:info@phoenixcon.com)