

G-ESS-M32-M66L-STES-S - Cable gland



1411080

<https://www.phoenixcontact.com/us/products/1411080>

Please be informed that the data shown in this PDF document is generated from our online catalog. Please find the complete data in the user documentation. Our general terms of use for downloads are valid.



Cable gland, material for screw connection: Stainless steel 316L, application: Ex, external cable diameter 17 mm ... 26.3 mm, shielding: no, connecting thread: M32 x 1.5, color: silver-colored

Your advantages

- Weatherproof sealing material

Commercial data

Item number	1411080
Packing unit	10 pc
Minimum order quantity	1 pc
Sales key	BF68
Product key	AF7DDX
GTIN	4046356921947
Weight per piece (including packing)	137 g
Weight per piece (excluding packing)	137 g
Customs tariff number	73182900
Country of origin	GB

G-ESS-M32-M66L-STES-S - Cable gland



1411080

<https://www.phoenixcontact.com/us/products/1411080>

Technical data

Mounting

Assembly note	Sealed to IP66/IP67/IP68 thanks to the use of the A-SEW-32-P-W flat gasket (item 1411285)
---------------	---

Product properties

Product type	Cable screw gland
Application	Ex
No. of conductors	1
Manufacturer	CMP
Manufacturer Designation	32 A2F S. STEEL GLAND
Manufacturer product number	32AF1RA4
Shielded	no
Execution of the strain relief	B

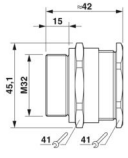
Ex data

Cable types that can be used	for unarmored cables
Suited for EX-applications	yes

Characteristics

Category of shock impact	10
Design, Strain relief	B

Dimensions

Dimensional drawing	
Length	42 mm
Length of the connecting thread	15 mm
Wrench size, union nut	41 mm
Wrench size, support	41 mm
Hexagon angular dimension	45.1 mm
Thread type connection side	M32 x 1.5
Thread pitch	1.5 mm

Material specifications

Color	Steel/stainless steel color
Seal material Cable seal	EPDM
Material for screw connection	Stainless steel 316L

Cable/line

G-ESS-M32-M66L-STES-S - Cable gland



1411080

<https://www.phoenixcontact.com/us/products/1411080>

External cable diameter	17 mm ... 26.3 mm
-------------------------	-------------------

Environmental and real-life conditions

Ambient conditions

Degree of protection	IP66 (using the corresponding A-SEW-...P-W flat gasket)
	IP67 (using the corresponding A-SEW-...P-W flat gasket)
	IP68 (using the corresponding A-SEW-...P-W flat gasket)
Ambient temperature (operation)	-60 °C ... 130 °C (static)

Approvals

ATEX	Sira 13ATEX1068X
	Sira 13ATEX4074X
	Ex II 2/3G, II 1D, Ex d IIC Gb, Ex e IIC Gb, Ex nR IIC Gc, Ex ta IIIC Da, Ex IM2 Ex d I Mb, Ex e I Mb
IECEX	IECEX SIR 13.0023X
	Ex d IIC Gb, Ex e IIC Gb, Ex nR IIC Gc, Ex ta IIIC Da, Ex d I Mb, Ex e I Mb

Standards and regulations

EN Ex

Standards/specifications	EN 60079-0, -1, -7, -15, -31
--------------------------	------------------------------

IEC Ex

Standards/specifications	IEC 60079-0, -1, -7, -15, -31
--------------------------	-------------------------------

Cable glands

Standards/specifications	EN 50262
--------------------------	----------

Cable glands

Standards/specifications	BS 6121: Part 1:1989
--------------------------	----------------------

Cable glands

Standards/specifications	IEC 62444
--------------------------	-----------

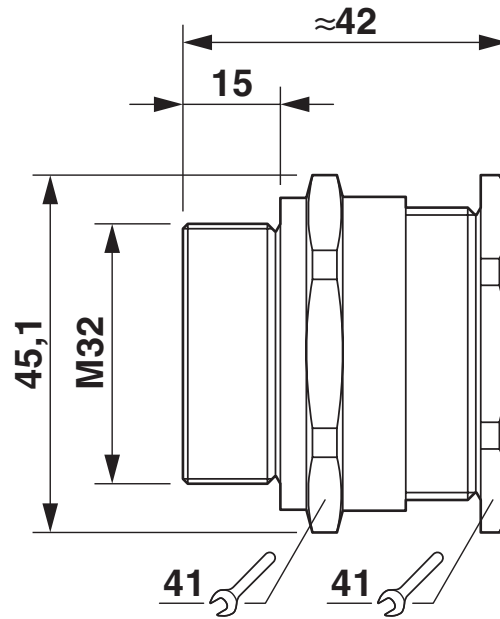
G-ESS-M32-M66L-STES-S - Cable gland

1411080

<https://www.phoenixcontact.com/us/products/1411080>

Drawings

Dimensional drawing



Dimensional drawing

G-ESS-M32-M66L-STES-S - Cable gland



1411080

<https://www.phoenixcontact.com/us/products/1411080>

Approvals

To download certificates, visit the product detail page: <https://www.phoenixcontact.com/us/products/1411080>



EAC Ex

Approval ID: RU C-GB.AA87.B.00487



IECEX

Approval ID: IECEX SIR 13.0023X



CSA

Approval ID: 101909_0_000



ATEX

Approval ID: CML 18ATEX1321X



ATEX

Approval ID: CML 18ATEX4313X

G-ESS-M32-M66L-STES-S - Cable gland



1411080

<https://www.phoenixcontact.com/us/products/1411080>

Classifications

ECLASS

ECLASS-13.0	27140802
ECLASS-15.0	27140802

ETIM

ETIM 10.0	EC000441
-----------	----------

UNSPSC

UNSPSC 21.0	39121300
-------------	----------

G-ESS-M32-M66L-STES-S - Cable gland



1411080

<https://www.phoenixcontact.com/us/products/1411080>

Environmental product compliance

EU RoHS

Fulfills EU RoHS substance requirements	Yes
Exemption	6(c)

China RoHS

Environment friendly use period (EFUP)	EFUP-50
	An article-related China RoHS declaration table can be found in the download area for the respective article under "Manufacturer declaration". For all articles with EFUP-E, no China RoHS declaration table issued and required.

EU REACH SVHC

REACH candidate substance (CAS No.)	Lead(CAS: 7439-92-1)
SCIP	9772e113-1841-4970-a2bd-db14edbedd0e

Phoenix Contact 2026 © - all rights reserved

<https://www.phoenixcontact.com>

Phoenix Contact USA
586 Fulling Mill Road
Middletown, PA 17057, United States
(+717) 944-1300
info@phoenixcon.com