

# G-ESS-M20-S66L-STES-S - Cable gland

1411076

<https://www.phoenixcontact.com/us/products/1411076>

Please be informed that the data shown in this PDF document is generated from our online catalog. Please find the complete data in the user documentation. Our general terms of use for downloads are valid.



Cable gland, material for screw connection: Stainless steel 316L, application: Ex, external cable diameter 6.5 mm ... 14 mm, shielding: no, connecting thread: M20 x 1.5, color: silver-colored

## Your advantages

- Weatherproof sealing material

## Commercial data

|                                      |               |
|--------------------------------------|---------------|
| Item number                          | 1411076       |
| Packing unit                         | 20 pc         |
| Minimum order quantity               | 1 pc          |
| Sales key                            | BF68          |
| Product key                          | AF7DDX        |
| GTIN                                 | 4046356921909 |
| Weight per piece (including packing) | 65.63 g       |
| Weight per piece (excluding packing) | 62.08 g       |
| Customs tariff number                | 73182900      |
| Country of origin                    | GB            |

# G-ESS-M20-S66L-STES-S - Cable gland



1411076

<https://www.phoenixcontact.com/us/products/1411076>

## Technical data

### Mounting

|               |   |
|---------------|---|
| Assembly note | Sealed to IP66/IP67/IP68 thanks to the use of the A-SEW-20-P-W flat gasket (item 1411283) |
|---------------|---|

### Product properties

|                                |                       |
|--------------------------------|-----------------------|
| Product type                   | Cable screw gland     |
| Application                    | Ex                    |
| No. of conductors              | 1                     |
| Manufacturer                   | CMP                   |
| Manufacturer Designation       | 20 A2F S. STEEL GLAND |
| Manufacturer product number    | 20A2F1RA4             |
| Shielded                       | no                    |
| Execution of the strain relief | B                     |

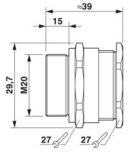
### Ex data

|                              |                      |
|------------------------------|----------------------|
| Cable types that can be used | for unarmored cables |
| Suited for EX-applications   | yes                  |

### Characteristics

|                          |    |
|--------------------------|----|
| Category of shock impact | 10 |
| Design, Strain relief    | B  |

### Dimensions

|                                 |  |
|---------------------------------|--|
| Dimensional drawing             |  |
| Length                          | 39 mm  |
| Length of the connecting thread | 15 mm  |
| Wrench size, union nut          | 27 mm  |
| Wrench size, support            | 27 mm  |
| Hexagon angular dimension       | 29.7 mm  |
| Thread type connection side     | M20 x 1.5  |
| Thread pitch                    | 1.5 mm   |

### Material specifications

|                               |                             |
|-------------------------------|-----------------------------|
| Color                         | Steel/stainless steel color |
| Seal material Cable seal      | EPDM                        |
| Material for screw connection | Stainless steel 316L        |

### Cable/line

# G-ESS-M20-S66L-STES-S - Cable gland



1411076

<https://www.phoenixcontact.com/us/products/1411076>

|                         |                  |
|-------------------------|------------------|
| External cable diameter | 6.5 mm ... 14 mm |
|-------------------------|------------------|

## Environmental and real-life conditions

### Ambient conditions

|                                 |   |
|---------------------------------|---|
| Degree of protection            | IP66 (using the corresponding A-SEW-...P-W flat gasket) |
|                                 | IP67 (using the corresponding A-SEW-...P-W flat gasket) |
|                                 | IP68 (using the corresponding A-SEW-...P-W flat gasket) |
| Ambient temperature (operation) | -60 °C ... 130 °C (static)                              |

## Approvals

|       |   |
|-------|---|
| ATEX  | Sira 13ATEX1068X  |
|       | Sira 13ATEX4074X  |
|       | Ex II 2/3G, II 1D, Ex d IIC Gb, Ex e IIC Gb, Ex nR IIC Gc, Ex ta IIIC Da, Ex IM2 Ex d I Mb, Ex e I Mb |
| IECEX | IECEX SIR 13.0023X  |
|       | Ex d IIC Gb, Ex e IIC Gb, Ex nR IIC Gc, Ex ta IIIC Da, Ex d I Mb, Ex e I Mb                           |

## Standards and regulations

### EN Ex

|                          |                              |
|--------------------------|------------------------------|
| Standards/specifications | EN 60079-0, -1, -7, -15, -31 |
|--------------------------|------------------------------|

### IEC Ex

|                          |                               |
|--------------------------|-------------------------------|
| Standards/specifications | IEC 60079-0, -1, -7, -15, -31 |
|--------------------------|-------------------------------|

### Cable glands

|                          |          |
|--------------------------|----------|
| Standards/specifications | EN 50262 |
|--------------------------|----------|

### Cable glands

|                          |                      |
|--------------------------|----------------------|
| Standards/specifications | BS 6121: Part 1:1989 |
|--------------------------|----------------------|

### Cable glands

|                          |           |
|--------------------------|-----------|
| Standards/specifications | IEC 62444 |
|--------------------------|-----------|

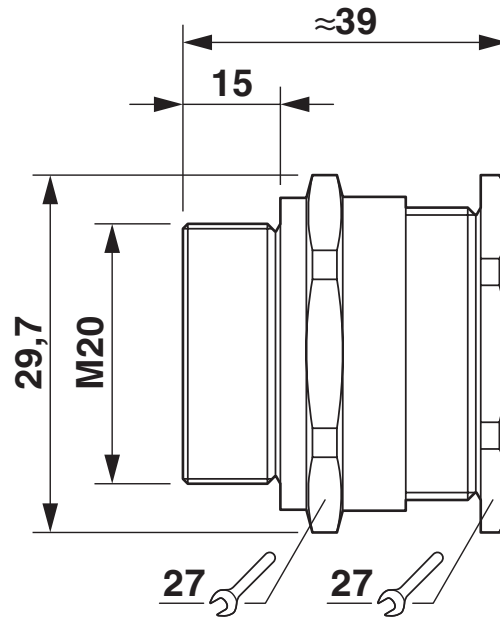
# G-ESS-M20-S66L-STES-S - Cable gland

1411076

<https://www.phoenixcontact.com/us/products/1411076>

## Drawings

Dimensional drawing



Dimensional drawing

# G-ESS-M20-S66L-STES-S - Cable gland



1411076

<https://www.phoenixcontact.com/us/products/1411076>

## Approvals

To download certificates, visit the product detail page: <https://www.phoenixcontact.com/us/products/1411076>



**EAC Ex**

Approval ID: RU C-GB.AA87.B.00487



**IECEX**

Approval ID: IECEX SIR 13.0023X



**CSA**

Approval ID: 101909\_0\_000



**ATEX**

Approval ID: CML 18ATEX1321X



**ATEX**

Approval ID: CML 18ATEX4313X

# G-ESS-M20-S66L-STES-S - Cable gland



1411076

<https://www.phoenixcontact.com/us/products/1411076>

## Classifications

### ECLASS

|             |          |
|-------------|----------|
| ECLASS-13.0 | 27140802 |
| ECLASS-15.0 | 27140802 |

### ETIM

|           |          |
|-----------|----------|
| ETIM 10.0 | EC000441 |
|-----------|----------|

### UNSPSC

|             |          |
|-------------|----------|
| UNSPSC 21.0 | 39121300 |
|-------------|----------|

# G-ESS-M20-S66L-STES-S - Cable gland



1411076

<https://www.phoenixcontact.com/us/products/1411076>

## Environmental product compliance

### EU RoHS

|   |      |
|---|------|
| Fulfills EU RoHS substance requirements | Yes  |
| Exemption                               | 6(c) |

### China RoHS

|  |   |
|--|---|
| Environment friendly use period (EFUP) | EFUP-50   |
|  | An article-related China RoHS declaration table can be found in the download area for the respective article under "Manufacturer declaration". For all articles with EFUP-E, no China RoHS declaration table issued and required. |

### EU REACH SVHC

|                                     |                                      |
|-------------------------------------|--------------------------------------|
| REACH candidate substance (CAS No.) | Lead(CAS: 7439-92-1)                 |
| SCIP                                | 202563da-bb6a-4436-b568-8cf9d024086e |

Phoenix Contact 2026 © - all rights reserved

<https://www.phoenixcontact.com>

Phoenix Contact USA  
586 Fulling Mill Road  
Middletown, PA 17057, United States  
(+717) 944-1300  
[info@phoenixcon.com](mailto:info@phoenixcon.com)