

CES-B24-10XSRC-BK - Sealing frame



1411074

<https://www.phoenixcontact.com/us/products/1411074>

Please be informed that the data shown in this PDF document is generated from our online catalog. Please find the complete data in the user documentation. Our general terms of use for downloads are valid.



Sealing frame with screw locking, size: B24, with 10 pre-mounted coned sleeves for a 2 mm ... 11 mm conductor diameter

Commercial data

Item number	1411074
Packing unit	1 pc
Minimum order quantity	1 pc
Sales key	BF67
Product key	AF7CAX
GTIN	4046356921886
Weight per piece (including packing)	270.3 g
Weight per piece (excluding packing)	258.7 g
Customs tariff number	39269097
Country of origin	PL

CES-B24-10XSRC-BK - Sealing frame



1411074

<https://www.phoenixcontact.com/us/products/1411074>

Technical data

Product properties

Product type	Frame for cable sleeves
Type	B24
Frame type	Sealing frame with coned sleeves

Connection data

Tightening torque	2 Nm ... 4 Nm (Locking screw)
-------------------	-------------------------------

Dimensions

Dimensional drawing	
Width	58 mm
Height	20 mm
Length	147 mm
Drill hole distance, horizontal	130 mm
Drill hole distance, vertical	32 mm
Hole diameter	5.5 mm

Installation dimensions

Width of the assembly cutout	35 mm
Length of the assembly cutout	113 mm

Material specifications

Material	PA (Frame)
	NBR (Coned sleeves)

Cable/line

External cable diameter	10x 2 mm ... 11 mm
-------------------------	--------------------

Characteristics

Number of cable seals	10
-----------------------	----

Environmental and real-life conditions

Ambient conditions

Degree of protection	IP54
	IP65
Ambient temperature (operation)	-40 °C ... 120 °C (static)

Mounting

CES-B24-10XSRC-BK - Sealing frame



1411074

<https://www.phoenixcontact.com/us/products/1411074>

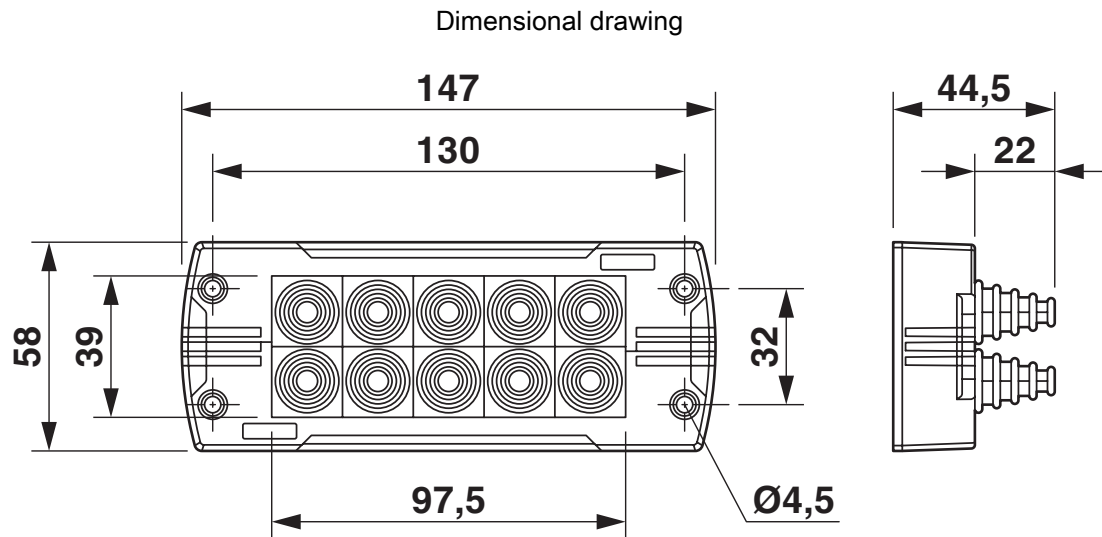
Assembly note	<p>M4 locking screw with 3 mm hex socket head, torque 2 ... 4 Nm</p> <p>The flat gasket supplied should be inserted between the wall and the sealing frame in the case of panel mounting. IP54: for vertical sealing frame mounting/for horizontal sealing frame mounting (downward cable outlet direction). IP65: vertical mounting/horizontal mounting (downward cable outlet direction) of the sealing frame directly on the housing panel and use of a 3.6 mm wide cable binder (e.g., item 3240744).</p>
---------------	---

CES-B24-10XSRC-BK - Sealing frame

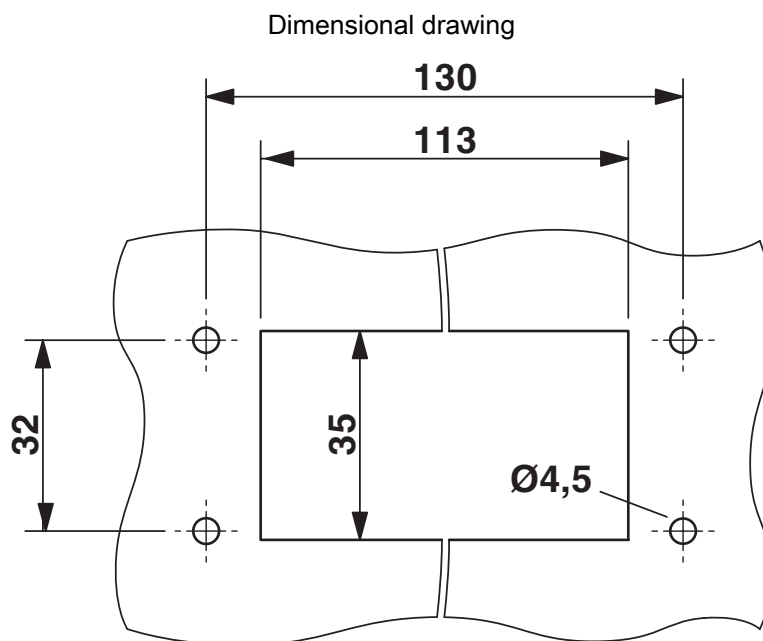
1411074

<https://www.phoenixcontact.com/us/products/1411074>

Drawings



Dimensional drawing



Mounting cutout

CES-B24-10XSRC-BK - Sealing frame



1411074

<https://www.phoenixcontact.com/us/products/1411074>

Approvals

🔗 To download certificates, visit the product detail page: <https://www.phoenixcontact.com/us/products/1411074>

DNV

Approval ID: TAE00003VJ

CES-B24-10XSRC-BK - Sealing frame



1411074

<https://www.phoenixcontact.com/us/products/1411074>

Classifications

ECLASS

ECLASS-13.0	23071590
ECLASS-15.0	27182815

ETIM

ETIM 10.0	EC002624
-----------	----------

UNSPSC

UNSPSC 21.0	31401600
-------------	----------

CES-B24-10XSRC-BK - Sealing frame



1411074

<https://www.phoenixcontact.com/us/products/1411074>

Environmental product compliance

EU RoHS

Fulfills EU RoHS substance requirements	Yes, No exemptions
---	--------------------

China RoHS

Environment friendly use period (EFUP)	EFUP-E
	No hazardous substances above the limits

EU REACH SVHC

REACH candidate substance (CAS No.)	No substance above 0.1 wt%
-------------------------------------	----------------------------

Phoenix Contact 2026 © - all rights reserved
<https://www.phoenixcontact.com>

Phoenix Contact USA
586 Fulling Mill Road
Middletown, PA 17057, United States
(+717) 944-1300
info@phoenixcon.com