

# HC-HPR-B16-SHFH-2SSM32-EMR-BK - Housing



1411054

<https://www.phoenixcontact.com/us/products/1411054>

Please be informed that the data shown in this PDF document is generated from our online catalog. Please find the complete data in the user documentation. Our general terms of use for downloads are valid.



HEAVYCON B16 box mounting base, for screw locking, HPR series, with 2 x M32 gland, for increased environmental and EMC requirements

## Your advantages

- Vibration and shock: IEC 61373/EN 50155, category 1, class 1B

## Commercial data

Item number	1411054
Packing unit	1 pc
Minimum order quantity	1 pc
Sales key	BF60
Product key	AF7AAI
GTIN	4046356921640
Weight per piece (including packing)	966.7 g
Weight per piece (excluding packing)	966 g
Customs tariff number	85389099
Country of origin	CN

# HC-HPR-B16-SHFH-2SSM32-EMR-BK - Housing



1411054

<https://www.phoenixcontact.com/us/products/1411054>

## Technical data

### Notes

General	For contact inserts HC-B16, BB32, BBB40, D40, DD72, HS6, M, K
---------	---

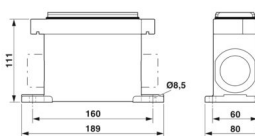
### Product properties

Product type	Housing with screw locking
Housing type	Surface mounting housing
Product family	HC-HPR-B
Series	HPR-B16
Application	Railway applications
Type	B16
No. of cable outlets	2
Type of the screw connection	2x M32
Protective cover	no
Cable outlet	lateral
Pg screw connection	none

### Connection data

Tightening torque	10 Nm ... 15 Nm (for M8 mounting screws on the surface-mount housing)
-------------------	---

### Dimensions

Dimensional drawing	
Width	80 mm
Height	111 mm
Length	189 mm
Drill hole distance, horizontal	160 mm
Drill hole distance, vertical	60 mm
Hole diameter	8.5 mm

### Material specifications

Seal material	NBR
Housing material	Die-cast aluminum
Housing surface material	Powder-coated, black

### Environmental and real-life conditions

Ambient conditions	IP66
--------------------	------

# HC-HPR-B16-SHFH-2SSM32-EMR-BK - Housing



1411054

<https://www.phoenixcontact.com/us/products/1411054>

Degree of protection	IP68 (0.5 bar / 24 h)
	IP69 (ISO 20653:2013-02)
Impact strength	IK09
Ambient temperature (operation)	-40 °C ... 125 °C

## Mechanical properties

### Mechanical data

Type of the screw connection	2x M32
Locking type	Nut

# HC-HPR-B16-SHFH-2SSM32-EMR-BK - Housing

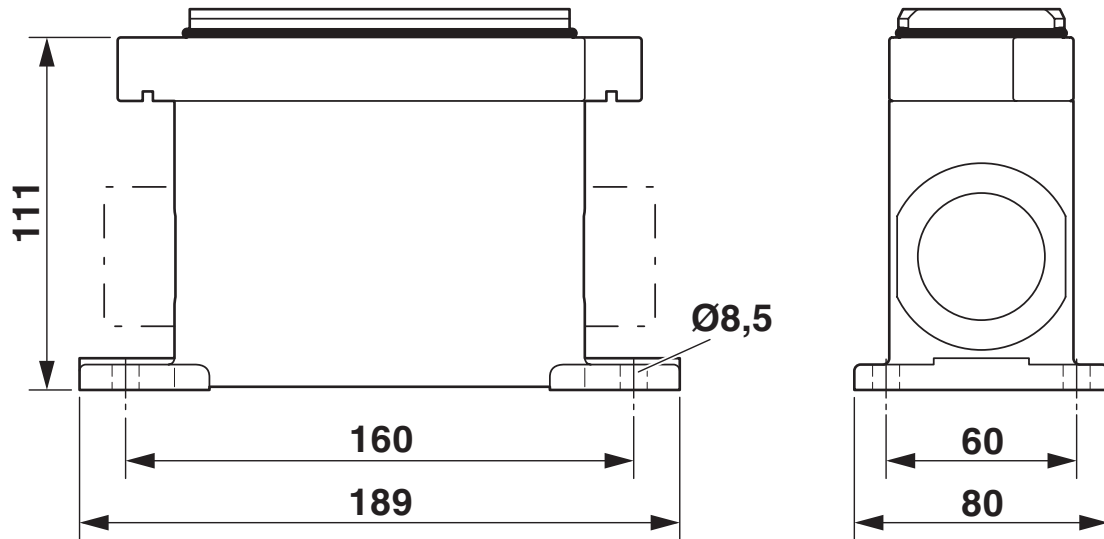


1411054

<https://www.phoenixcontact.com/us/products/1411054>

## Drawings

Dimensional drawing



Dimensional drawing

1411054

<https://www.phoenixcontact.com/us/products/1411054>

## Approvals

🔗 To download certificates, visit the product detail page: <https://www.phoenixcontact.com/us/products/1411054>

### **DNV**

Approval ID: TAE000037S



### **EAC**

Approval ID: RU C-DE.AI30.B.01102

1411054

<https://www.phoenixcontact.com/us/products/1411054>

## Classifications

### ECLASS

ECLASS-13.0	27440202
ECLASS-15.0	27440202

### ETIM

ETIM 10.0	EC000437
-----------	----------

### UNSPSC

UNSPSC 21.0	31261500
-------------	----------

1411054

<https://www.phoenixcontact.com/us/products/1411054>

## Environmental product compliance

### EU RoHS

Fulfills EU RoHS substance requirements	Yes, No exemptions
---	--------------------

### China RoHS

Environment friendly use period (EFUP)	EFUP-E
	No hazardous substances above the limits

### EU REACH SVHC

REACH candidate substance (CAS No.)	No substance above 0.1 wt%
-------------------------------------	----------------------------

Phoenix Contact 2026 © - all rights reserved  
<https://www.phoenixcontact.com>

Phoenix Contact USA  
586 Fulling Mill Road  
Middletown, PA 17057, United States  
(+717) 944-1300  
[info@phoenixcon.com](mailto:info@phoenixcon.com)