

SAC-5PY-0,1-920/2XFS SCO - Bus system cable



1411026

<https://www.phoenixcontact.com/us/products/1411026>

Please be informed that the data shown in this PDF document is generated from our online catalog. Please find the complete data in the user documentation. Our general terms of use for downloads are valid.



Bus system cable, CANopen®, DeviceNet™, 5-position, PUR halogen-free, red lilac RAL 4001, shielded, free cable end, on Socket straight M12 SPEEDCON, coding: A and Socket straight M12 SPEEDCON, coding: A, cable length: 0.1 m, Connector unshielded, Shield connected to pin 1

Commercial data

Item number	1411026
Packing unit	1 pc
Minimum order quantity	50 pc
Product key	AF1GAD
GTIN	4046356920506
Weight per piece (including packing)	41 g
Weight per piece (excluding packing)	39.1 g
Country of origin	PL

SAC-5PY-0,1-920/2XFS SCO - Bus system cable



1411026

<https://www.phoenixcontact.com/us/products/1411026>

Technical data

Product properties

Product type	Data cable preassembled
Application	Standard
Sensor type	CANopen®
Number of positions	5
No. of cable outlets	1
Shielded	no
Coding	A

Interfaces

Bus system	CANopen®/DeviceNet™
Signal type/category	CANopen® DeviceNet™

Signaling

Status display	no
Status display present	no

Electrical properties

Insulation resistance	≥ 100 MΩ
Nominal voltage U _N	48 V AC 60 V DC
Nominal current I _N	4 A
Transmission medium	Copper

Material specifications

Seal material	NBR
Material of grip body	TPU, hardly inflammable, self-extinguishing
Contact material	CuSn
Contact surface material	Ni/Au
Contact carrier material	TPU GF
Material for screw connection	Brass, nickel-plated

Connection data

Connection assignment

Contact Color (signal designation) Contact (optional)	1 (free cable end) SR (shield) 1 (Socket 1) 1 (Socket 2)
	2 (free cable end) RD (V+) 2 (Socket 1) 2 (Socket 2)
	3 (free cable end) BK (V-) 3 (Socket 1) 3 (Socket 2)
	4 (free cable end) WH (CAN_H) 4 (Socket 1) 4 (Socket 2)
	5 (free cable end) BU (CAN_L) 5 (Socket 1) 5 (Socket 2)

SAC-5PY-0,1-920/2XFS SCO - Bus system cable



1411026

<https://www.phoenixcontact.com/us/products/1411026>

Connector

Connection 1

Type	free cable end
------	----------------

Connection 2

Type	Socket straight M12 SPEEDCON
Number of positions	5
Locking type	SPEEDCON
Coding type	A (Standard)


Connection 3

Type	Socket straight M12 SPEEDCON
Number of positions	5
Locking type	SPEEDCON
Coding type	A (Standard)

Cable/line

Cable length	0.1 m
--------------	-------

CANopen®/DeviceNet™, PUR, violet [920]

Dimensional drawing	
Cable weight	90 kg/km
UL AWM Style	21198 (80°C/300 V)
Number of positions	4
Shielded	yes
Cable type	CANopen®/DeviceNet™, PUR, violet [920]
Conductor structure	2xAWG24/19+2xAWG22/19
Conductor structure signal line	19x 0.13 mm
AWG signal line	24
Conductor structure, voltage supply	19x 0.15 mm
AWG power supply	22
Conductor cross-section	2x 0.25 mm ² (Data cable) 2x 0.34 mm ² (Power supply) 1x 0.34 mm ² (Drain wire)
Wire diameter incl. insulation	1.95 mm ±0.05 mm (Data cable) 1.4 mm ±0.05 mm (Power supply)
External cable diameter	6.70 mm ±0.3 mm

SAC-5PY-0,1-920/2XFS SCO - Bus system cable



1411026

<https://www.phoenixcontact.com/us/products/1411026>

Outer sheath, material	PUR
External sheath, color	red lilac RAL 4001
Conductor material	Tin-plated Cu litz wires
Material wire insulation	Foamed PE (Data cable) PE (Power supply)
Single wire, color	red-black, blue-white
Twisted pairs	2 cores to the pair
Type of pair shielding	Plastic-coated aluminum foil, aluminum side outside
Overall twist	2 pairs around a drain wire in the center to the core
Optical shield covering	80 %
Insulation resistance	≥ 5 GΩ*km (Data cable) ≥ 5 GΩ*km (Power supply)
Loop resistance	≤ 181.80 Ω/km (Data cable) ≤ 114.80 Ω/km (Power supply)
Wave impedance	120 Ω ±10 % (with 1 MHz)
Cable capacity	nom. 40 nF/km (Data cable)
Nominal voltage, cable	≤ 300 V (Peak value, not for high-power applications)
Test voltage Core/Core	2000 V (50 Hz, 1 min.)
Test voltage Core/Shield	2000.00 V (50 Hz, 1 min.)
Minimum bending radius, fixed installation	5 x D
Minimum bending radius, flexible installation	10 x D
Smallest bending radius, fixed installation	34 mm
Smallest bending radius, movable installation	67 mm
Dynamic load capacity (bending)	Max. bending cycles: 5000000, Bending radius: 70 mm, Bending radius: 10 x D, Traversing path: 4.5 m, Traversing rate: 3 m/s, Acceleration: 3 m/s ² , Ambient temperature: -20 °C ... 60 °C
Shield attenuation	≤ 22.9 dB/km (with 1 MHz) ≤ 16.4 dB/km (At 500 kHz) ≤ 9.5 dB/km (At 125 kHz)
Halogen-free	in accordance with DIN VDE 0472 part 815 according to IEC 60754-1
Flame resistance	IEC 60332-1-2 in accordance with ISO 6722-1 5.22 (UN ECE-R 118.01)
Other resistance	Low adhesion
Ambient temperature (operation)	-40 °C ... 80 °C (cable, fixed installation) -30 °C ... 70 °C (Cable, flexible installation) -20 °C ... 60 °C (for installation) -20 °C ... 60 °C (cable, drag chain applications)

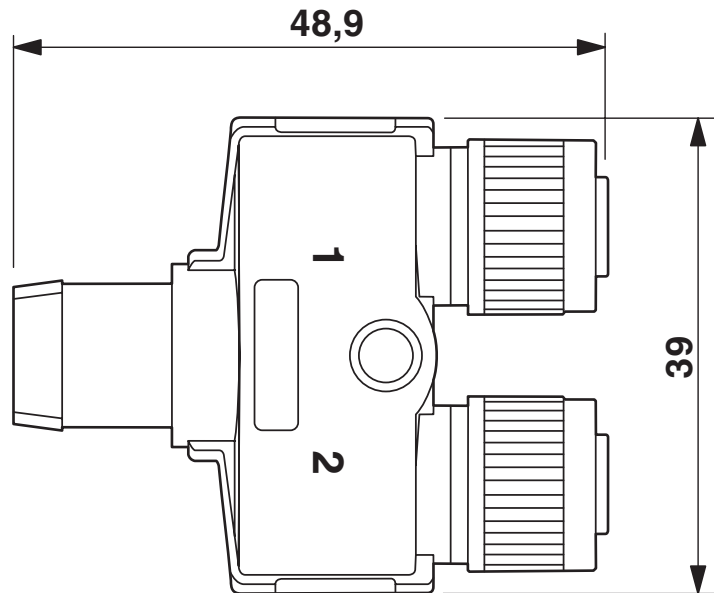
SAC-5PY-0,1-920/2XFS SCO - Bus system cable

1411026

<https://www.phoenixcontact.com/us/products/1411026>

Drawings

Dimensional drawing



M12-SPEEDCON socket, Y-distributor

Schematic diagram



Pin assignment M12 socket, 5-pos., A-coded, socket side view

SAC-5PY-0,1-920/2XFS SCO - Bus system cable



1411026

<https://www.phoenixcontact.com/us/products/1411026>

Classifications

ECLASS

ECLASS-13.0	27060307
ECLASS-15.0	27060313

ETIM

ETIM 9.0	EC001855
----------	----------

UNSPSC

UNSPSC 21.0	26121600
-------------	----------

SAC-5PY-0,1-920/2XFS SCO - Bus system cable



1411026

<https://www.phoenixcontact.com/us/products/1411026>

Environmental product compliance

EU RoHS

Fulfills EU RoHS substance requirements	Yes, No exemptions
---	--------------------

China RoHS

Environment friendly use period (EFUP)	EFUP-E
	No hazardous substances above the limits

EU REACH SVHC

REACH candidate substance (CAS No.)	No substance above 0.1 wt%
-------------------------------------	----------------------------

Phoenix Contact 2026 © - all rights reserved
<https://www.phoenixcontact.com>

Phoenix Contact USA
586 Fulling Mill Road
Middletown, PA 17057, United States
(+717) 944-1300
info@phoenixcon.com