

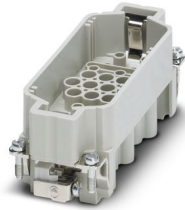
HC-K10/26-ESTC - Contact insert



1410974

<https://www.phoenixcontact.com/us/products/1410974>

Please be informed that the data shown in this PDF document is generated from our online catalog. Please find the complete data in the user documentation. Our general terms of use for downloads are valid.



Contact insert, number of positions: 10+16+10+2PE, size: B16, power contacts: 10, control contacts: 26, number of connections per position: 1, Pin, Crimp connection, 250 V, 10 A, 0.14 mm² ... 2.5 mm²

Your advantages

- Shock and vibration-resistant in accordance with DIN EN 61373

Commercial data

Item number	1410974
Packing unit	10 pc
Minimum order quantity	10 pc
Note	Made to order (non-returnable)
Product key	AF7ABA
GTIN	4046356900362
Weight per piece (including packing)	60.77 g
Weight per piece (excluding packing)	59.985 g
Country of origin	DE

HC-K10/26-ESTC - Contact insert



1410974

<https://www.phoenixcontact.com/us/products/1410974>

Technical data

Mounting

Assembly note	To ensure correct use, installation in housing with IP54 protection or better is required
---------------	---

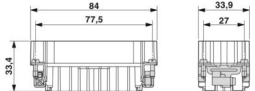
Product properties

Product type	Contact insert with a fixed no. of positions
Series	HC-K
Type	B16 B32
Connection profile	10+16+10+2PE
Number of connections per position	1
No. of power contacts	10
No. of control contacts	26
Contact material type	turned
Shielded	no

Insulation characteristics

Overvoltage category	III
Degree of pollution	2

Dimensions

Dimensional drawing	
Width	34 mm
Height	35 mm
Length	84 mm
Drill hole distance, horizontal	77.5 mm

Connection data

Connection technology

Connection technology	Crimp connection
Number of connections per position	1
Connection in acc. with standard	IEC / EN

Conductor connection

Conductor cross-section	0.14 mm ² ... 2.5 mm ²
Connection cross section AWG	26 ... 14
Tightening torque	0.8 Nm ... 1.2 Nm (PE connection) 0.5 Nm ... 0.8 Nm (Mounting screws for mounting in the

HC-K10/26-ESTC - Contact insert



1410974

<https://www.phoenixcontact.com/us/products/1410974>

Stripping length of the individual wire	HEAVYCON housing)
	8 mm
	6 mm (2.5 mm ²)

Electrical properties

Rated voltage (III/3)	250 V (5-9/28-32 pos.)
	400 V (1-4/10-13/24-27/33-36 pos.)
	1000 V (14-23 pos.)
Rated surge voltage	4 kV (5-9/28-32 pos.)
	6 kV (1-4/10-13/24-27/33-36 pos.)
	8 kV (14-23 pos.)
Rated current	10 A

Mechanical properties

Mechanical data

Insertion/withdrawal cycles	≥ 500
-----------------------------	-------

Material specifications

Flammability rating according to UL 94	HB
Contact material	Copper alloy
Contact surface material	Ag (alternatively Au)
Contact carrier material	PC
Standards/regulations	PC

Environmental and real-life conditions

Ambient conditions

Ambient temperature (operation)	-40 °C ... 125 °C (including heating up of contacts)
Ambient temperature (storage/transport)	-40 °C ... 125 °C
Ambient temperature (assembly)	-40 °C ... 125 °C

Standards and regulations

Constructional and testing regulations	DIN VDE 0627/86
	DIN VDE 0110/02.79
	DIN VDE 0110-1/04.97
	IEC 60664-1, DIN IEC 60512
	IEC 60352
Tests	DIN VDE 0627/86
	DIN VDE 0110/02.79
	DIN VDE 0110-1/04.97
	IEC 60664-1, DIN IEC 60512
	IEC 60352

Testing

HC-K10/26-ESTC - Contact insert



1410974

<https://www.phoenixcontact.com/us/products/1410974>

Standards/regulations

PC: Fire protection in rail vehicles - requirement sets R22, R23, and R24 acc. to DIN EN 45545-2 (Risk level HL1 - HL3)

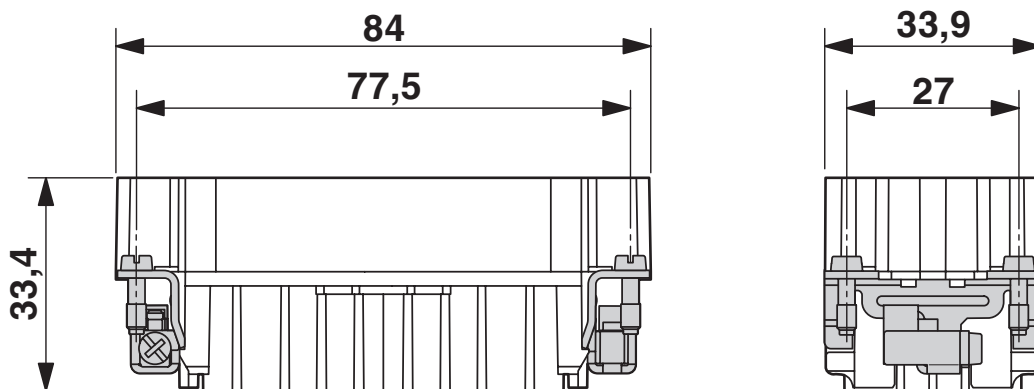
HC-K10/26-ESTC - Contact insert

1410974

<https://www.phoenixcontact.com/us/products/1410974>

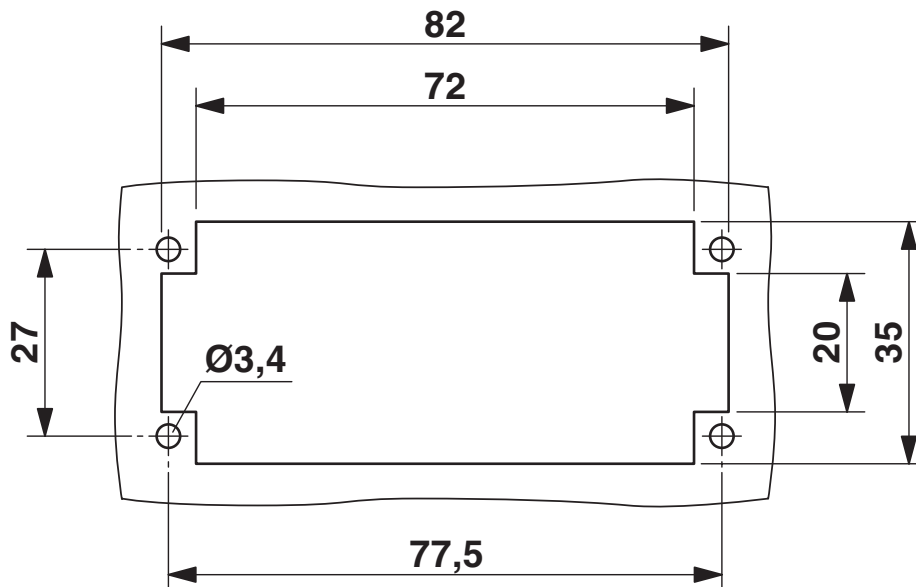
Drawings

Dimensional drawing



Dimensional drawing

Dimensional drawing



Mounting cutout when used without housing

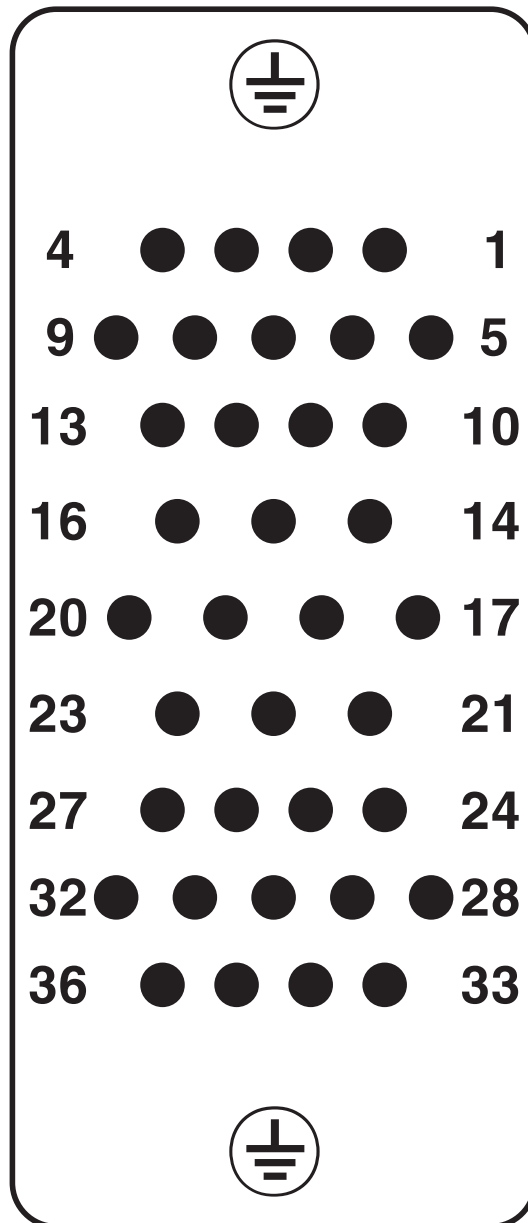
HC-K10/26-ESTC - Contact insert

1410974

<https://www.phoenixcontact.com/us/products/1410974>



Schematic diagram



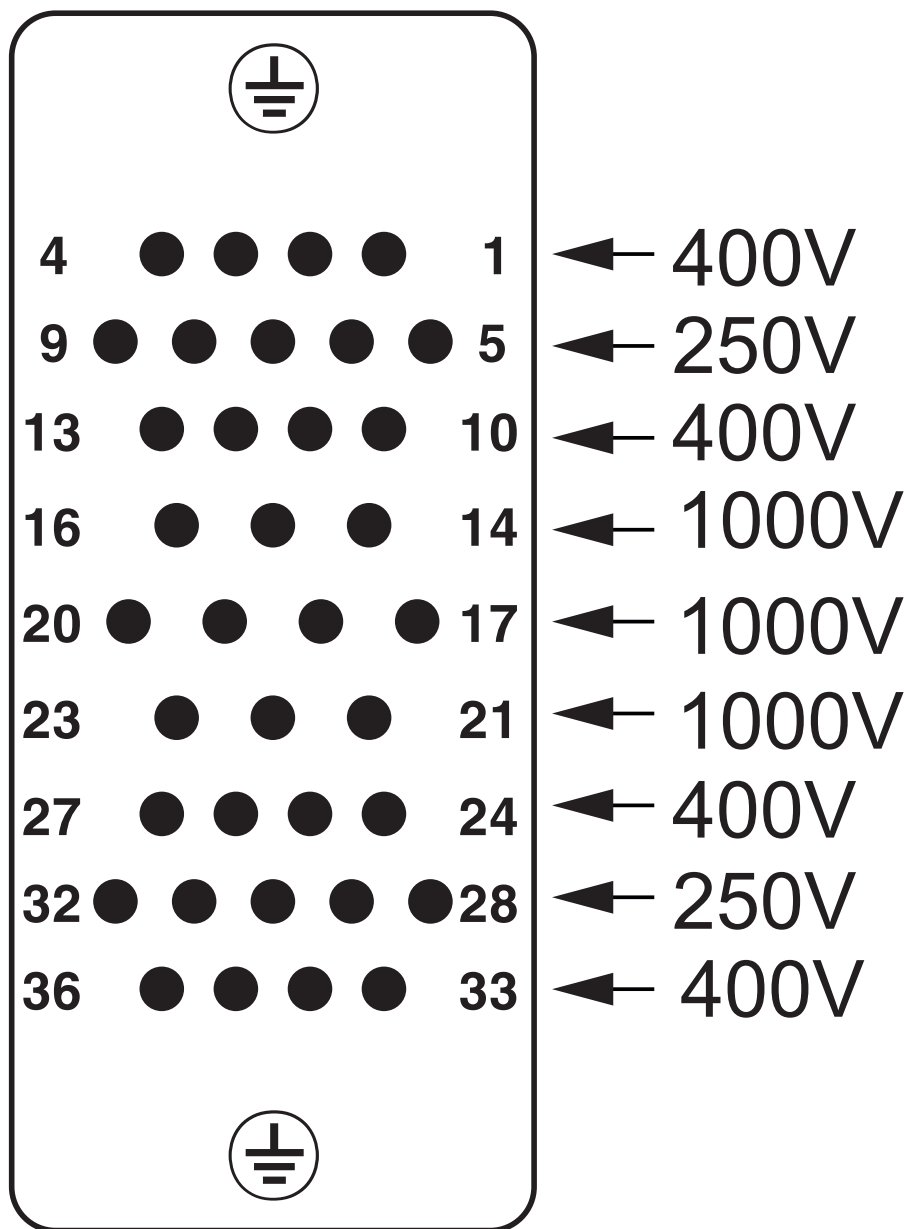
Connector pin assignment, connection side

HC-K10/26-ESTC - Contact insert

1410974

<https://www.phoenixcontact.com/us/products/1410974>

Schematic diagram



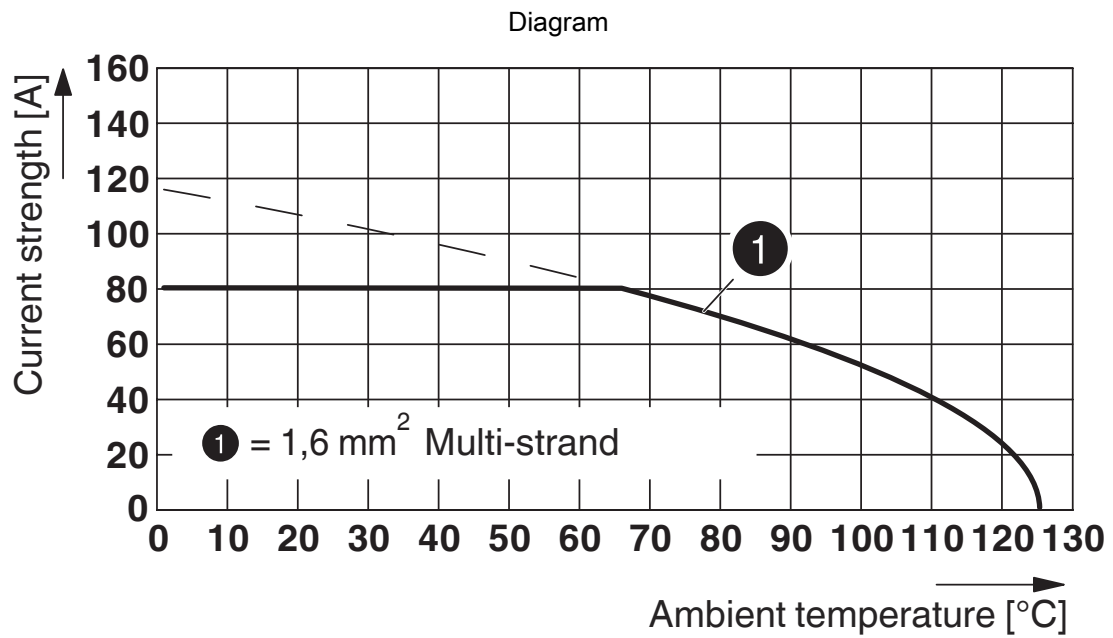
Pin assignment of the various voltage circuits

HC-K10/26-ESTC - Contact insert



1410974

<https://www.phoenixcontact.com/us/products/1410974>



Derating diagram

HC-K10/26-ESTC - Contact insert



1410974

<https://www.phoenixcontact.com/us/products/1410974>

Classifications

ECLASS

ECLASS-13.0	27440205
ECLASS-15.0	27440205

ETIM

ETIM 10.0	EC000438
-----------	----------

UNSPSC

UNSPSC 21.0	39121500
-------------	----------

HC-K10/26-ESTC - Contact insert



1410974

<https://www.phoenixcontact.com/us/products/1410974>

Environmental product compliance

EU RoHS

Fulfills EU RoHS substance requirements	Yes, No exemptions
---	--------------------

China RoHS

Environment friendly use period (EFUP)	EFUP-E
	No hazardous substances above the limits

EU REACH SVHC

REACH candidate substance (CAS No.)	No substance above 0.1 wt%
-------------------------------------	----------------------------

Phoenix Contact 2026 © - all rights reserved
<https://www.phoenixcontact.com>

Phoenix Contact USA
586 Fulling Mill Road
Middletown, PA 17057, United States
(+717) 944-1300
info@phoenixcon.com