

# HC-B 24-FL-MDI - Seal

1410958

<https://www.phoenixcontact.com/us/products/1410958>

Please be informed that the data shown in this PDF document is generated from our online catalog. Please find the complete data in the user documentation. Our general terms of use for downloads are valid.



Flange seal, for HEAVYCON type B24 panel mounting base, self-adhesive, foam rubber made from cellular rubber, color: black

## Commercial data

Item number	1410958
Packing unit	1 pc
Note	Made to order (non-returnable)
Sales key	BF66
Product key	AF7AAZ
GTIN	4046356893466
Weight per piece (including packing)	1.59 g
Weight per piece (excluding packing)	1.59 g
Customs tariff number	40169300
Country of origin	DE

# HC-B 24-FL-MDI - Seal

1410958

<https://www.phoenixcontact.com/us/products/1410958>

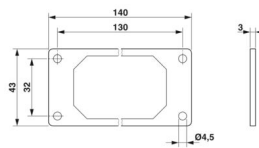


## Technical data

### Product properties

Product type	Seal
--------------	------

### Dimensions

Dimensional drawing	
Height	3 mm

### Material specifications

Material	Cellular rubber
----------	-----------------

### Environmental and real-life conditions

#### Ambient conditions

Ambient temperature (operation)	-40 °C ... 125 °C
---------------------------------	-------------------

### Mounting

Assembly note	Not for HC-...EMC housings
---------------	----------------------------

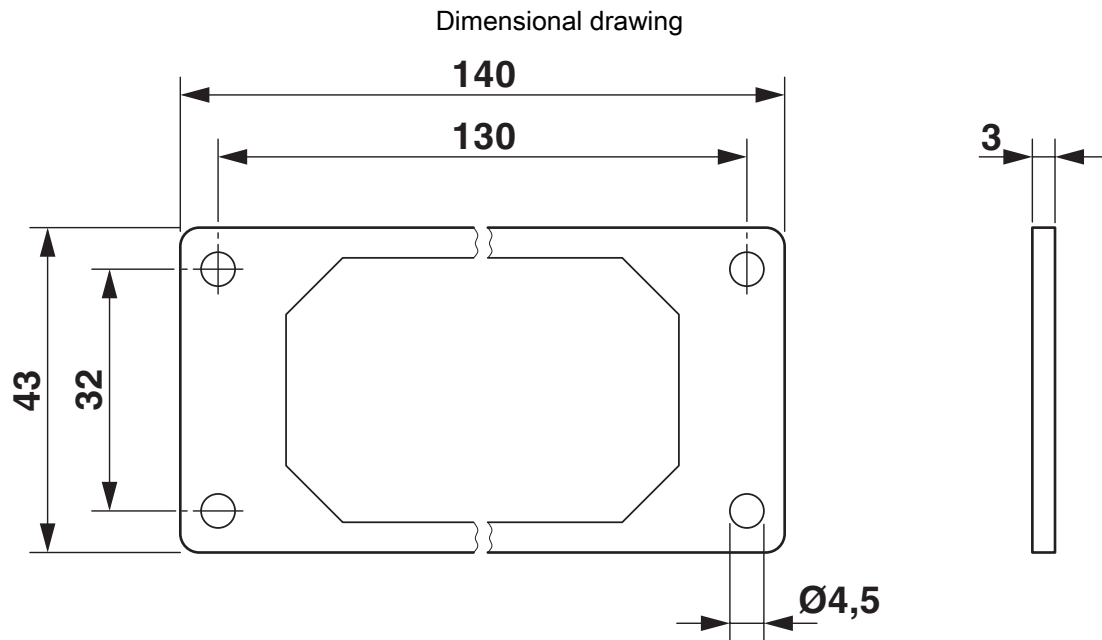
# HC-B 24-FL-MDI - Seal

1410958

<https://www.phoenixcontact.com/us/products/1410958>



## Drawings



Dimensional drawing

# HC-B 24-FL-MDI - Seal



1410958

<https://www.phoenixcontact.com/us/products/1410958>

## Environmental product compliance

### EU RoHS

Fulfills EU RoHS substance requirements	Yes, No exemptions
---	--------------------

### China RoHS

Environment friendly use period (EFUP)	EFUP-E
	No hazardous substances above the limits

### EU REACH SVHC

REACH candidate substance (CAS No.)	No substance above 0.1 wt%
-------------------------------------	----------------------------

Phoenix Contact 2026 © - all rights reserved  
<https://www.phoenixcontact.com>

Phoenix Contact USA  
586 Fulling Mill Road  
Middletown, PA 17057, United States  
(+717) 944-1300  
[info@phoenixcon.com](mailto:info@phoenixcon.com)