

# CP-HC-S - Coding profile



1410916

<https://www.phoenixcontact.com/us/products/1410916>

Please be informed that the data shown in this PDF document is generated from our online catalog. Please find the complete data in the user documentation. Our general terms of use for downloads are valid.

Coding profile, for contact inserts HC-BB... / HC-A10... / HC-A16...



## Commercial data

Item number	1410916
Packing unit	10 pc
Minimum order quantity	10 pc
Sales key	BF61
Product key	AF7ABZ
GTIN	4046356886567
Weight per piece (including packing)	0.83 g
Weight per piece (excluding packing)	0.82 g
Customs tariff number	39269097
Country of origin	CN

# CP-HC-S - Coding profile



1410916

<https://www.phoenixcontact.com/us/products/1410916>

## Technical data

### Product properties

Product type	Coding element
--------------	----------------

### Mounting

Assembly note	4 coding profiles per star, 10 stars per unit pack for contact inserts HC-BB... / HC-A10... / HC-A16...
---------------	--

### Material specifications

Material	PA
Flammability rating according to UL 94	V2
Contact carrier material	PA
Standards/regulations	PA

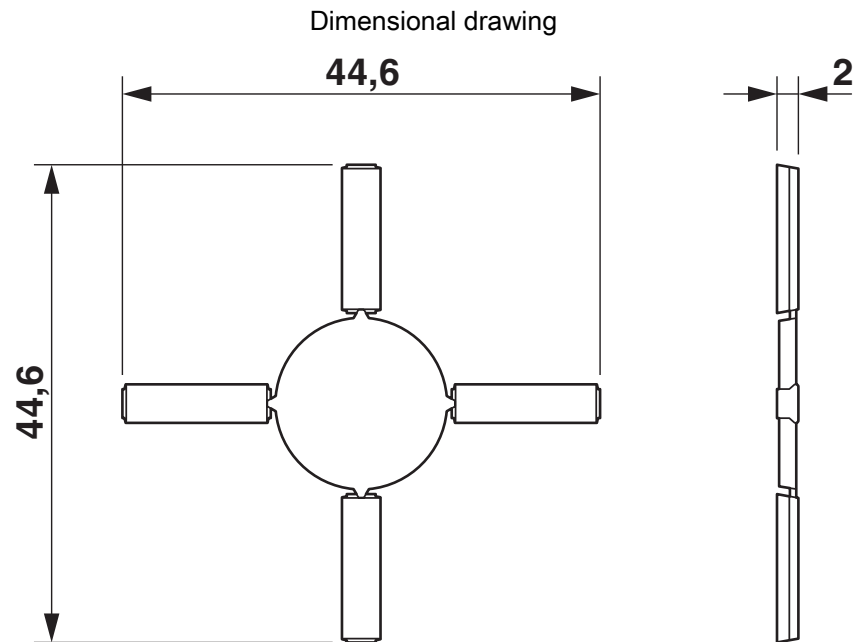
# CP-HC-S - Coding profile

1410916

<https://www.phoenixcontact.com/us/products/1410916>



## Drawings



Dimensional drawing

# CP-HC-S - Coding profile



1410916

<https://www.phoenixcontact.com/us/products/1410916>

## Classifications

### ECLASS

ECLASS-13.0	27440203
ECLASS-15.0	27440203

### ETIM

ETIM 10.0	EC002311
-----------	----------

### UNSPSC

UNSPSC 21.0	39121400
-------------	----------

# CP-HC-S - Coding profile



1410916

<https://www.phoenixcontact.com/us/products/1410916>

## Environmental product compliance

### EU RoHS

Fulfills EU RoHS substance requirements	Yes, No exemptions
---	--------------------

### China RoHS

Environment friendly use period (EFUP)	EFUP-E
	No hazardous substances above the limits

### EU REACH SVHC

REACH candidate substance (CAS No.)	No substance above 0.1 wt%
-------------------------------------	----------------------------

### EF3.1 Climate Change

CO2e kg	0.023 kg CO2e
---------	---------------

Phoenix Contact 2026 © - all rights reserved  
<https://www.phoenixcontact.com>

Phoenix Contact USA  
586 Fulling Mill Road  
Middletown, PA 17057, United States  
(+717) 944-1300  
[info@phoenixcon.com](mailto:info@phoenixcon.com)