

HC-B 10-TMS-100/O1STM40S-STA - Housing



1410903

<https://www.phoenixcontact.com/us/products/1410903>

Please be informed that the data shown in this PDF document is generated from our online catalog. Please find the complete data in the user documentation. Our general terms of use for downloads are valid.



HEAVYCON ADVANCE standard powder-coated B10 sleeve housing, with screw locking, height: 100 mm, with 1 x M40 thread, lateral cable outlet

Commercial data

Item number	1410903
Packing unit	10 pc
Minimum order quantity	10 pc
Sales key	BF58
Product key	AF7AAA
GTIN	4046356873062
Weight per piece (including packing)	338.07 g
Weight per piece (excluding packing)	338.07 g
Customs tariff number	85366990
Country of origin	DE

HC-B 10-TMS-100/O1STM40S-STA - Housing



1410903

<https://www.phoenixcontact.com/us/products/1410903>

Technical data

Product properties

Product type	Housing with screw locking
Housing type	Sleeve housing
Type	B10
No. of cable outlets	1
Type of the screw connection	1x M40
Fixing screws	M6
Cable outlet	lateral
Pg screw connection	none

Connection data

Tightening torque	3 Nm (Locking screw)
-------------------	----------------------

Dimensions

Dimensional drawing	
Width	57 mm
Height	100 mm
Length	105 mm

Installation dimensions

Width of the assembly cutout	35 mm
Length of the assembly cutout	65 mm

Material specifications

Seal material	NBR
Housing material	Die-cast aluminum
Housing surface material	Powder-coated, gray
Locking latch material	Stainless steel

Environmental and real-life conditions

Ambient conditions

Degree of protection	IP66
	IP68 (0.2 bar/24 h)
	IP69
Enclosure rating (NEMA)	4 (NEMA 250)
	4X (NEMA 250)
	6P (NEMA 250)

HC-B 10-TMS-100/O1STM40S-STA - Housing



1410903

<https://www.phoenixcontact.com/us/products/1410903>

	12 (NEMA 250)
Ambient temperature (operation)	-40 °C ... 125 °C

Mechanical properties

Mechanical data

Type of the screw connection	1x M40
------------------------------	--------

Mounting

Assembly note	In order to guarantee that the protective conductor contact functions even when plugged in at an angle, the two panel-mount flanges must have sufficient electrical contact with the metal mounting panel.
	Tightening torque of locking screw 3 Nm.
Fixing screws	M6

HC-B 10-TMS-100/O1STM40S-STA - Housing

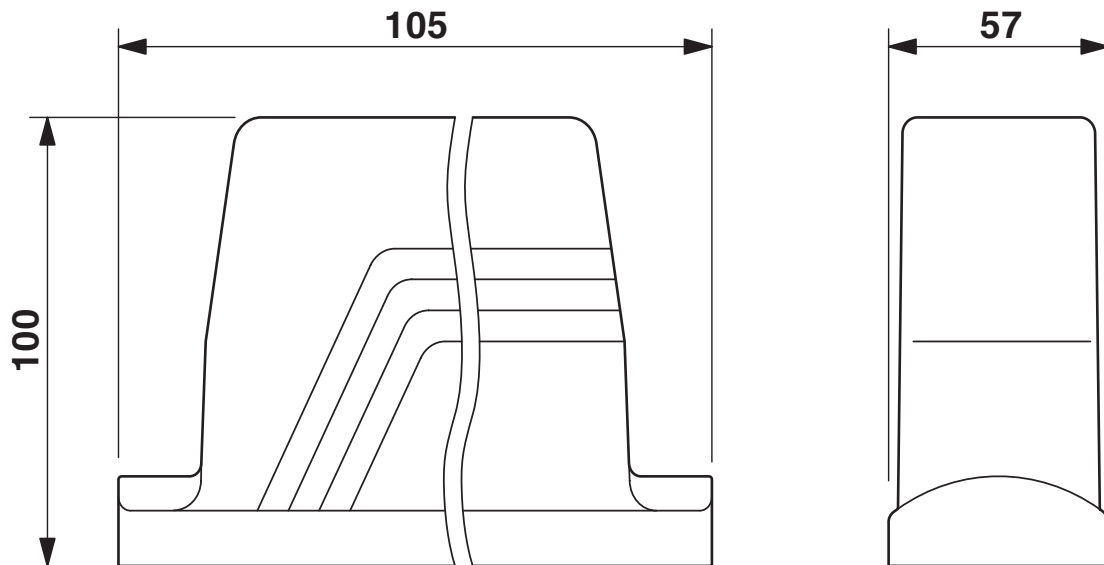


1410903

<https://www.phoenixcontact.com/us/products/1410903>

Drawings

Dimensional drawing



Dimensional drawing

Dimensional drawing



Mounting cutout

1) when M4 screws are used

2) when self-tapping Torx® screws are used (Torx® 20, M4)

HC-B 10-TMS-100/O1STM40S-STA - Housing



1410903

<https://www.phoenixcontact.com/us/products/1410903>

Approvals

🔗 To download certificates, visit the product detail page: <https://www.phoenixcontact.com/us/products/1410903>

DNV

Approval ID: TAE000037S



EAC

Approval ID: RU C-DE.AI30.B.01102

HC-B 10-TMS-100/O1STM40S-STA - Housing



1410903

<https://www.phoenixcontact.com/us/products/1410903>

Classifications

ECLASS

ECLASS-13.0	27440202
ECLASS-15.0	27440202

ETIM

ETIM 10.0	EC000437
-----------	----------

UNSPSC

UNSPSC 21.0	31261500
-------------	----------

HC-B 10-TMS-100/O1STM40S-STA - Housing



1410903

<https://www.phoenixcontact.com/us/products/1410903>

Environmental product compliance

EU RoHS

Fulfills EU RoHS substance requirements	Yes, No exemptions
---	--------------------

China RoHS

Environment friendly use period (EFUP)	EFUP-E
	No hazardous substances above the limits

EU REACH SVHC

REACH candidate substance (CAS No.)	No substance above 0.1 wt%
-------------------------------------	----------------------------

Phoenix Contact 2026 © - all rights reserved
<https://www.phoenixcontact.com>

Phoenix Contact USA
586 Fulling Mill Road
Middletown, PA 17057, United States
(+717) 944-1300
info@phoenixcon.com