

REDUC-K-KV-M40/M32 BK - Reducing adapter



1410738

<https://www.phoenixcontact.com/us/products/1410738>

Please be informed that the data shown in this PDF document is generated from our online catalog. Please find the complete data in the user documentation. Our general terms of use for downloads are valid.

Reducing adapter, connecting thread: M40 x 1.5, color: jet black, with flat gasket



Product description

Reduced M40 to M32

Commercial data

Item number	1410738
Packing unit	10 pc
Minimum order quantity	10 pc
Sales key	BF68
Product key	AF7DZX
GTIN	4046356873192
Weight per piece (including packing)	13.43 g
Weight per piece (excluding packing)	12.617 g
Customs tariff number	39269097
Country of origin	DE

REDUC-K-KV-M40/M32 BK - Reducing adapter

1410738

<https://www.phoenixcontact.com/us/products/1410738>

Technical data

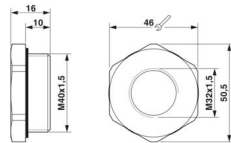
Product properties

Product type	Reducing adapter
Seal present	yes
Manufacturer	Jacob
Manufacturer Designation	M40M32 PA/SW/FD

Connection data

Tightening torque	5 ... 7.5 Nm
-------------------	--------------

Dimensions

Dimensional drawing	
Width	50.50 mm
Length	16 mm
Length of the connecting thread	10 mm
Length without connecting thread	6 mm
Diameter Connecting thread	40 mm
Connecting thread diameter	40 mm
Wrench size, union nut	46 mm
Hexagon angular dimension	50.5 mm
Thread type connection side	M40 x 1.5
Thread pitch	1.5 mm
Thread type on seal side	M32

Material specifications

Color	black (RAL 9005)
Material	Polyamide fiberglass reinforced
Flammability rating according to UL 94	HB
Seal material	NBR

Cable/line

Halogen-free	no
--------------	----

Environmental and real-life conditions

Ambient conditions

Degree of protection	IP65 (Depends on the screw connection used)
Ambient temperature (operation)	-30 °C ... 100 °C

REDUC-K-KV-M40/M32 BK - Reducing adapter



1410738

<https://www.phoenixcontact.com/us/products/1410738>

Mounting

Assembly note

With corresponding screw connection: IP65

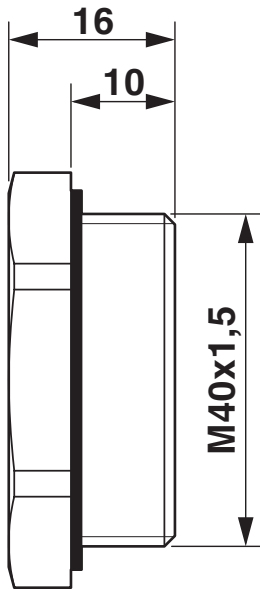
REDUC-K-KV-M40/M32 BK - Reducing adapter

1410738

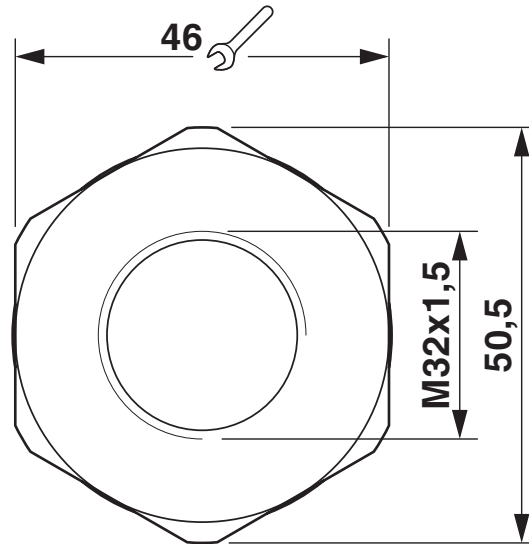
<https://www.phoenixcontact.com/us/products/1410738>

Drawings

Dimensional drawing



Dimensional drawing



REDUC-K-KV-M40/M32 BK - Reducing adapter



1410738

<https://www.phoenixcontact.com/us/products/1410738>

Classifications

ECLASS

ECLASS-13.0	27140806
ECLASS-15.0	27140806

ETIM

ETIM 10.0	EC000938
-----------	----------

UNSPSC

UNSPSC 21.0	31261500
-------------	----------

REDUC-K-KV-M40/M32 BK - Reducing adapter



1410738

<https://www.phoenixcontact.com/us/products/1410738>

Environmental product compliance

EU RoHS

Fulfills EU RoHS substance requirements	Yes, No exemptions
---	--------------------

China RoHS

Environment friendly use period (EFUP)	EFUP-E
	No hazardous substances above the limits

EU REACH SVHC

REACH candidate substance (CAS No.)	No substance above 0.1 wt%
-------------------------------------	----------------------------

EF3.1 Climate Change

CO2e kg	0.265 kg CO2e
---------	---------------

Phoenix Contact 2026 © - all rights reserved
<https://www.phoenixcontact.com>

Phoenix Contact USA
586 Fulling Mill Road
Middletown, PA 17057, United States
(+717) 944-1300
info@phoenixcon.com