

REDUC-K-KV-M32/M20 BK - Reducing adapter



1410725

<https://www.phoenixcontact.com/us/products/1410725>

Please be informed that the data shown in this PDF document is generated from our online catalog. Please find the complete data in the user documentation. Our general terms of use for downloads are valid.

Reducing adapter, connecting thread: M32 x 1.5, color: jet black, with flat gasket



Product description

Reduced M32 to M20

Commercial data

| | |
|--------------------------------------|---------------|
| Item number | 1410725 |
| Packing unit | 10 pc |
| Minimum order quantity | 10 pc |
| Sales key | BF68 |
| Product key | AF7DZX |
| GTIN | 4046356873239 |
| Weight per piece (including packing) | 11.082 g |
| Weight per piece (excluding packing) | 11.082 g |
| Customs tariff number | 39269097 |
| Country of origin | DE |

REDUC-K-KV-M32/M20 BK - Reducing adapter

1410725

<https://www.phoenixcontact.com/us/products/1410725>

Technical data

Product properties

| | |
|--------------------------|------------------|
| Product type | Reducing adapter |
| Seal present | yes |
| Manufacturer | Jacob |
| Manufacturer Designation | M32M20 PA/SW/FD |

Connection data

| | |
|-------------------|--------------|
| Tightening torque | 3.5 ... 5 Nm |
|-------------------|--------------|

Dimensions

| | |
|----------------------------------|---|
| Dimensional drawing |  |
| Width | 40.00 mm |
| Length | 16 mm |
| Length of the connecting thread | 10 mm |
| Length without connecting thread | 6 mm |
| Diameter Connecting thread | 32 mm |
| Connecting thread diameter | 32 mm |
| Wrench size, union nut | 36 mm |
| Hexagon angular dimension | 40 mm |
| Thread type connection side | M32 x 1.5 |
| Thread pitch | 1.5 mm |
| Thread type on seal side | M20 |

Material specifications

| | |
|--|---------------------------------|
| Color | black (RAL 9005) |
| Material | Polyamide fiberglass reinforced |
| Flammability rating according to UL 94 | HB |
| Seal material | NBR |

Cable/line

| | |
|--------------|----|
| Halogen-free | no |
|--------------|----|

Environmental and real-life conditions

Ambient conditions

| | |
|---------------------------------|---|
| Degree of protection | IP65 (Depends on the screw connection used) |
| Ambient temperature (operation) | -30 °C ... 100 °C |

REDUC-K-KV-M32/M20 BK - Reducing adapter



1410725

<https://www.phoenixcontact.com/us/products/1410725>

Mounting

Assembly note

With corresponding screw connection: IP65

REDUC-K-KV-M32/M20 BK - Reducing adapter

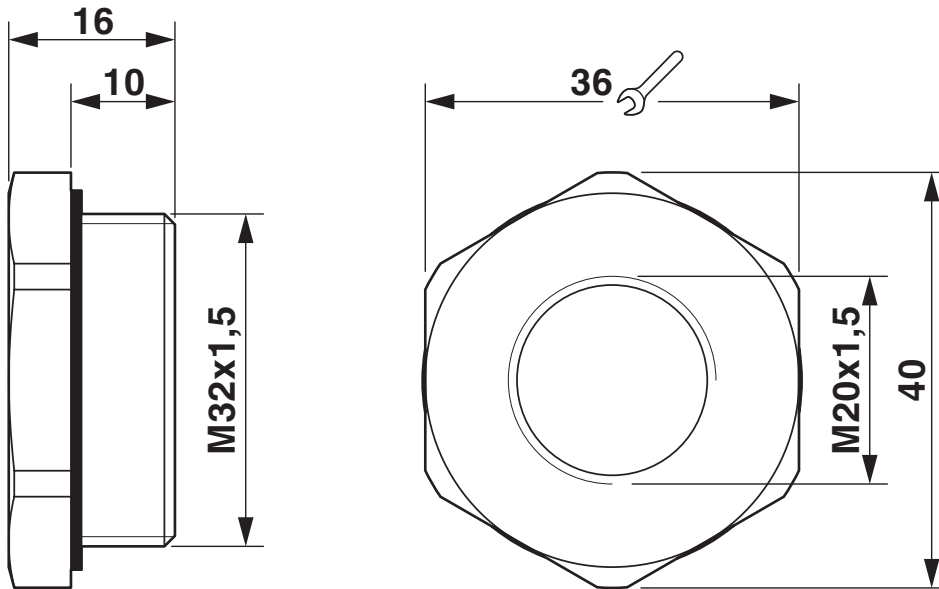


1410725

<https://www.phoenixcontact.com/us/products/1410725>

Drawings

Dimensional drawing



Dimensional drawing

REDUC-K-KV-M32/M20 BK - Reducing adapter



1410725

<https://www.phoenixcontact.com/us/products/1410725>

Classifications

ECLASS

| | |
|-------------|----------|
| ECLASS-13.0 | 27140806 |
| ECLASS-15.0 | 27140806 |

ETIM

| | |
|-----------|----------|
| ETIM 10.0 | EC000938 |
|-----------|----------|

UNSPSC

| | |
|-------------|----------|
| UNSPSC 21.0 | 39121300 |
|-------------|----------|

REDUC-K-KV-M32/M20 BK - Reducing adapter



1410725

<https://www.phoenixcontact.com/us/products/1410725>

Environmental product compliance

EU RoHS

| | |
|---|--------------------|
| Fulfills EU RoHS substance requirements | Yes, No exemptions |
|---|--------------------|

China RoHS

| | |
|--|--|
| Environment friendly use period (EFUP) | EFUP-E |
| | No hazardous substances above the limits |

EU REACH SVHC

| | |
|-------------------------------------|----------------------------|
| REACH candidate substance (CAS No.) | No substance above 0.1 wt% |
|-------------------------------------|----------------------------|

EF3.1 Climate Change

| | |
|---------|---------------|
| CO2e kg | 0.129 kg CO2e |
|---------|---------------|

Phoenix Contact 2026 © - all rights reserved
<https://www.phoenixcontact.com>

Phoenix Contact USA
586 Fulling Mill Road
Middletown, PA 17057, United States
(+717) 944-1300
info@phoenixcon.com