

# REDUC-K-KV-M32/M25 BK - Reducing adapter



1410712

<https://www.phoenixcontact.com/us/products/1410712>

Please be informed that the data shown in this PDF document is generated from our online catalog. Please find the complete data in the user documentation. Our general terms of use for downloads are valid.

Reducing adapter, connecting thread: M32 x 1.5, color: jet black, with flat gasket



## Product description

Reduced M32 to M25

## Commercial data

Item number	1410712
Packing unit	10 pc
Minimum order quantity	10 pc
Sales key	BF68
Product key	AF7DZX
GTIN	4046356873246
Weight per piece (including packing)	9.1 g
Weight per piece (excluding packing)	9.1 g
Customs tariff number	39269097
Country of origin	DE

# REDUC-K-KV-M32/M25 BK - Reducing adapter



1410712

<https://www.phoenixcontact.com/us/products/1410712>

## Technical data

### Product properties

Product type	Reducing adapter
Seal present	yes
Manufacturer	Jacob
Manufacturer Designation	M32M25 PA/SW/FD

### Connection data

Tightening torque	3.5 ... 5 Nm
-------------------	--------------

### Dimensions

Dimensional drawing	
Width	40.00 mm
Length	16 mm
Length of the connecting thread	10 mm
Length without connecting thread	6 mm
Diameter	32 mm
Connecting thread diameter	32 mm
Wrench size, union nut	36 mm
Hexagon angular dimension	40 mm
Thread type connection side	M32 x 1.5
Thread pitch	1.5 mm
Thread type on seal side	M25

### Material specifications

Color	black (RAL 9005)
Material	Polyamide fiberglass reinforced
Flammability rating according to UL 94	HB
Seal material	NBR

### Cable/line

Halogen-free	no
--------------	----

### Environmental and real-life conditions

#### Ambient conditions

Degree of protection	IP65 (Depends on the screw connection used)
Ambient temperature (operation)	-30 °C ... 100 °C

# REDUC-K-KV-M32/M25 BK - Reducing adapter



1410712

<https://www.phoenixcontact.com/us/products/1410712>

## Mounting

Assembly note

With corresponding screw connection: IP65

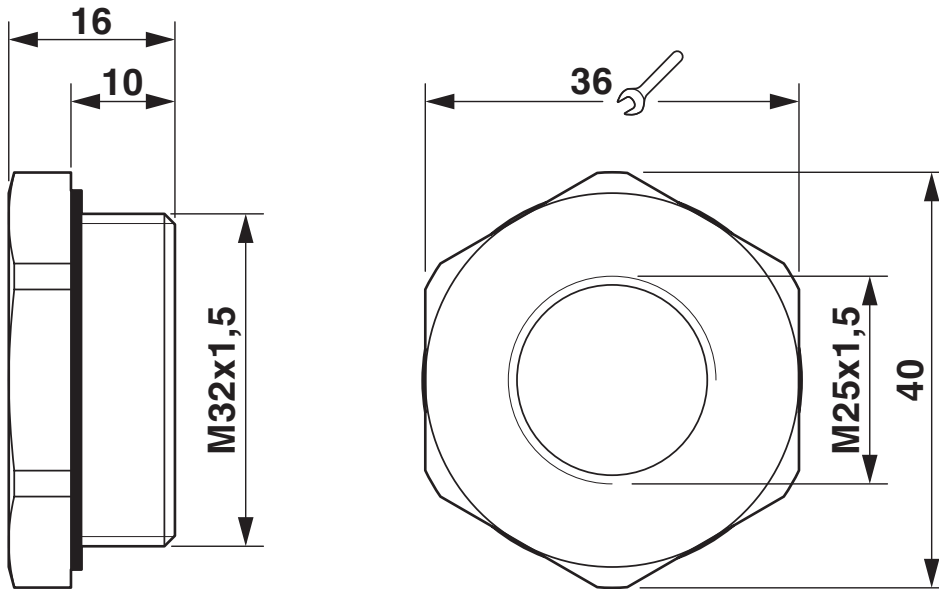
# REDUC-K-KV-M32/M25 BK - Reducing adapter

1410712

<https://www.phoenixcontact.com/us/products/1410712>

## Drawings

Dimensional drawing



Dimensional drawing

# REDUC-K-KV-M32/M25 BK - Reducing adapter



1410712

<https://www.phoenixcontact.com/us/products/1410712>

## Classifications

### ECLASS

ECLASS-13.0	27140806
ECLASS-15.0	27140806

### ETIM

ETIM 10.0	EC000938
-----------	----------

### UNSPSC

UNSPSC 21.0	31261500
-------------	----------

# REDUC-K-KV-M32/M25 BK - Reducing adapter



1410712

<https://www.phoenixcontact.com/us/products/1410712>

## Environmental product compliance

### EU RoHS

Fulfills EU RoHS substance requirements	Yes, No exemptions
---	--------------------

### China RoHS

Environment friendly use period (EFUP)	EFUP-E
	No hazardous substances above the limits

### EU REACH SVHC

REACH candidate substance (CAS No.)	No substance above 0.1 wt%
-------------------------------------	----------------------------

### EF3.1 Climate Change

CO2e kg	0.129 kg CO2e
---------	---------------

Phoenix Contact 2026 © - all rights reserved  
<https://www.phoenixcontact.com>

Phoenix Contact USA  
586 Fulling Mill Road  
Middletown, PA 17057, United States  
(+717) 944-1300  
[info@phoenixcon.com](mailto:info@phoenixcon.com)