

SAC-4PY-MT/2XFT VP - Y distributor



1410632

<https://www.phoenixcontact.com/us/products/1410632>

Please be informed that the data shown in this PDF document is generated from our online catalog. Please find the complete data in the user documentation. Our general terms of use for downloads are valid.

Y distributor, 4-position, Plug straight M12, coding: T, on Socket straight M12, coding: T and Socket straight M12, coding: T, For direct current up to 12 A/63 V



Your advantages

- High-performance: DC connectors for up to 12 A and 63 V DC

Commercial data

Item number	1410632
Packing unit	5 pc
Minimum order quantity	1 pc
Sales key	BF10
Product key	AF1GAP
GTIN	4046356924726
Weight per piece (including packing)	38.36 g
Weight per piece (excluding packing)	38.36 g
Customs tariff number	85366990
Country of origin	PL

SAC-4PY-MT/2XFT VP - Y distributor

1410632

<https://www.phoenixcontact.com/us/products/1410632>

Technical data

Product properties

Product type	Y-distributor
Application	Energy supply
Number of positions	4
No. of cable outlets	2
Shielded	no
Coding	T
Thread type	M12

Insulation characteristics

Overvoltage category	III
Degree of pollution	3

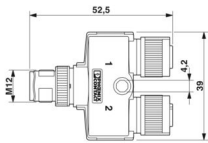
Electrical properties

Insulation resistance	$\geq 100 \text{ M}\Omega$
Nominal voltage U_N	63 V DC
Nominal current I_N	2x 12 A (at 40 °C)

Signaling

Status display	no
Status display present	no

Dimensions

Dimensional drawing	
Length	52.5 mm
Center distance	21 mm

Material specifications

Flammability rating according to UL 94	HB
Seal material	NBR
Material of grip body	TPU, hardly inflammable, self-extinguishing
Contact material	CuZn
Contact surface material	Ni/Au
Contact carrier material	PA
Material for screw connection	Zinc die-cast, nickel-plated

Connector

Connection 1

SAC-4PY-MT/2XFT VP - Y distributor



1410632

<https://www.phoenixcontact.com/us/products/1410632>

Type	Plug straight M12
Coding type	T

Connection 2

Type	Socket straight M12
Coding type	T

Connection 3

Type	Socket straight M12
Coding type	T

Mechanical properties

Mechanical data

Insertion/withdrawal cycles	≥ 100
-----------------------------	-------

Environmental and real-life conditions

Ambient conditions

Degree of protection	IP65
	IP67
Ambient temperature (operation) (male connector/female connector)	-25 °C ... 85 °C (Plug / socket)

Standards and regulations

Standard designation	M12 connector
Standards/specifications	IEC 61076-2-111

SAC-4PY-MT/2XFT VP - Y distributor

1410632

<https://www.phoenixcontact.com/us/products/1410632>

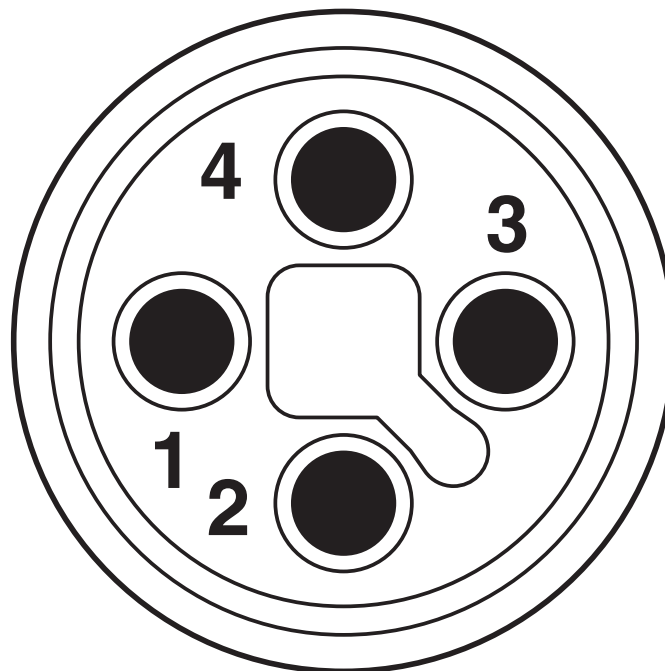
Drawings

Dimensional drawing



M12 Y distributor

Schematic diagram

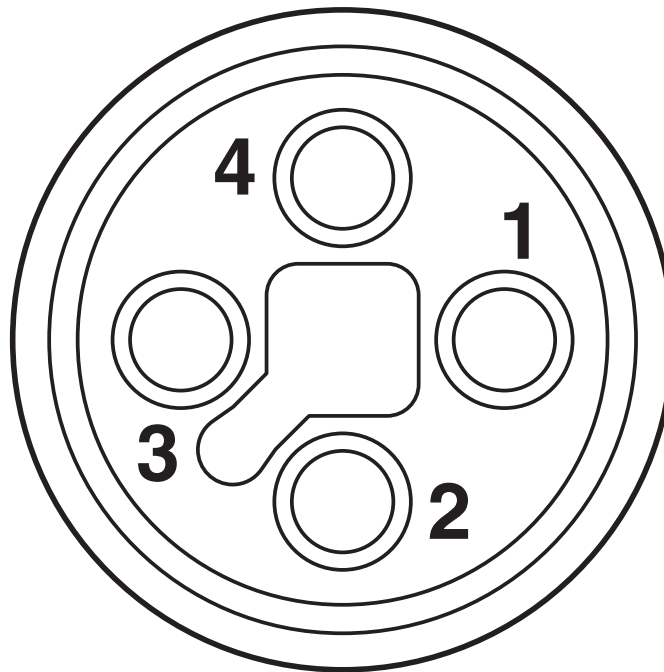


Pin assignment for M12 plug, 4-pos., T-coded, view of plug side

1410632

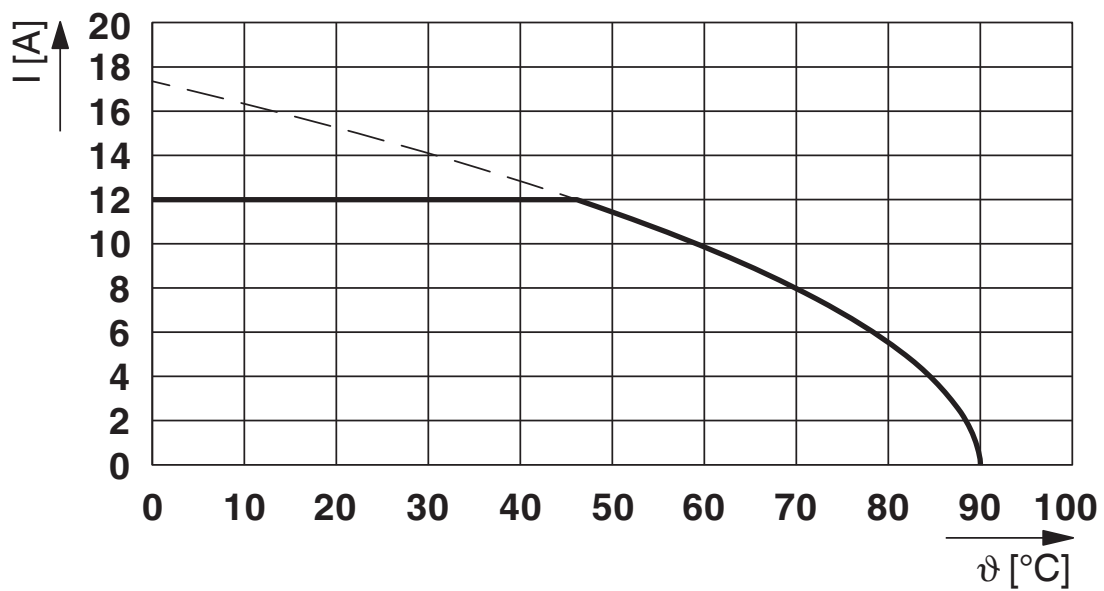
<https://www.phoenixcontact.com/us/products/1410632>

Schematic diagram



Pin assignment of M12 socket, 4-pos., T-coded, socket side view

Diagram



Current carrying capacity

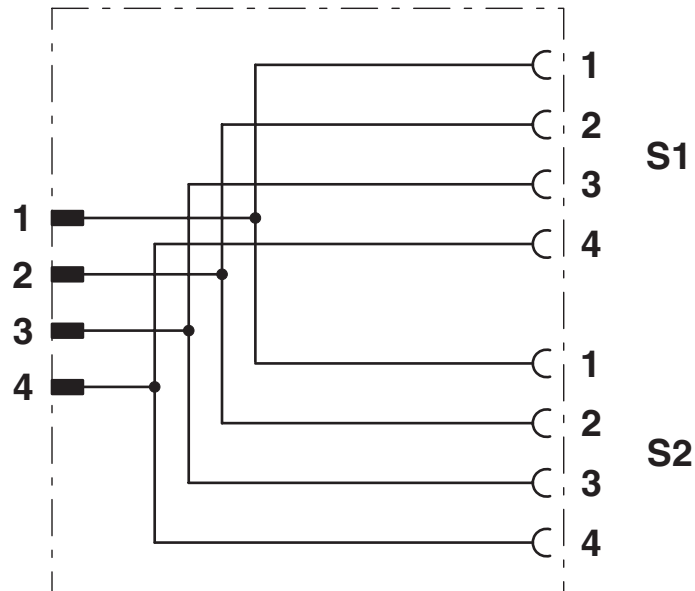
SAC-4PY-MT/2XFT VP - Y distributor

1410632

<https://www.phoenixcontact.com/us/products/1410632>



Circuit diagram



Contact assignment of the M12 Y distributor

SAC-4PY-MT/2XFT VP - Y distributor



1410632

<https://www.phoenixcontact.com/us/products/1410632>

Classifications

ECLASS

ECLASS-13.0	27440106
ECLASS-15.0	27440106

ETIM

ETIM 10.0	EC002925
-----------	----------

UNSPSC

UNSPSC 21.0	31251500
-------------	----------

SAC-4PY-MT/2XFT VP - Y distributor



1410632

<https://www.phoenixcontact.com/us/products/1410632>

Environmental product compliance

EU RoHS

Fulfills EU RoHS substance requirements	Yes, No exemptions
---	--------------------

China RoHS

Environment friendly use period (EFUP)	EFUP-E
	No hazardous substances above the limits

EU REACH SVHC

REACH candidate substance (CAS No.)	No substance above 0.1 wt%
-------------------------------------	----------------------------

EF3.1 Climate Change

CO2e kg	2.826 kg CO2e
---------	---------------

Phoenix Contact 2026 © - all rights reserved
<https://www.phoenixcontact.com>

Phoenix Contact USA
586 Fulling Mill Road
Middletown, PA 17057, United States
(+717) 944-1300
info@phoenixcon.com