

PRC 3-FT25-MC4 150 FE - Device connector rear mounting

1410531

<https://www.phoenixcontact.com/us/products/1410531>

Please be informed that the data shown in this PDF document is generated from our online catalog. Please find the complete data in the user documentation. Our general terms of use for downloads are valid.



PRC device connector, black, 3-pos., 690 V (IEC 61984), 32 A, crimp connection, 4.0 mm² with 150 mm cable length, ferrule with insulating collar

Commercial data

Item number	1410531
Packing unit	10 pc
Minimum order quantity	1 pc
Product key	ABOBEB
GTIN	4046356898850
Weight per piece (including packing)	39.67 g
Weight per piece (excluding packing)	39.67 g
Country of origin	DE

PRC 3-FT25-MC4 150 FE - Device connector rear mounting



1410531

<https://www.phoenixcontact.com/us/products/1410531>

Technical data

Notes

Safety note

Safety note

- **WARNING:** Commission properly functioning products only. The products must be regularly inspected for damage. Decommission defective products immediately. Replace damaged products. Repairs are not possible.
- **WARNING:** Only electrically qualified personnel may install and operate the product. They must observe the following safety notes. The qualified personnel must be familiar with the basics of electrical engineering. They must be able to recognize and prevent danger. The relevant symbol on the packaging indicates that only personnel familiar with electrical engineering are allowed to install and operate the product.
- **WARNING:** The connectors may not be plugged in or disconnected under load. Ignoring the warning or improper use may damage persons and/or property.
- Assembled products may not be manipulated or improperly opened.
- Only use mating connectors that are specified in the technical data of the standards listed (e.g. the ones listed in the product accessories online at [phoenixcontact.com/products](https://www.phoenixcontact.com/products)).
- When using the product in direct connection with third-party manufacturers, the user is responsible.
- For operating voltages > 50 V AC, conductive connector housings must be grounded
- Ensure that the protective or functional ground has been properly connected.
- VDE 0100/1.97 § 411.1.3.2 and DIN EN 60 204/11.98 § 14.1.3 are applicable when combining several circuits in a cable and/or connector
- Observe the corresponding technical data. You will find information:
 - o On the product
 - o On the packing label
 - o In the supplied documentation
 - o Online at [phoenixcontact.com/products](https://www.phoenixcontact.com/products) under the product
- Only use tools recommended by Phoenix Contact
- The installation notes/Design In documents online on the download page at [phoenixcontact.com/products](https://www.phoenixcontact.com/products) must be observed for this product.
- Use a protective cap to protect connectors that are not in use. The suitable accessories are available online in the accessory section of the product at [phoenixcontact.com/products](https://www.phoenixcontact.com/products)
- Operate the connector only when it is fully plugged in.
- Operate the connector only when it is fully plugged in and interlocked.
- Ensure that when laying the cable, the tensile load on the connectors does not exceed the upper limit specified in the standards.
- Observe the minimum bending radius of the cable. Lay the

PRC 3-FT25-MC4 150 FE - Device connector rear mounting

1410531

<https://www.phoenixcontact.com/us/products/1410531>

	<p>cable without twisting it.</p> <ul style="list-style-type: none"> The connector warms up in normal operation. Depending on the ambient conditions, the surface of the connector can continue to warm up. In this case, the user is responsible for posting warnings (e.g. DIN EN ISO 13732-1:2008-12).
--	--

Mounting

Tightening torque	2.5 Nm \pm 0.1 Nm (Tightening torque nut)
-------------------	---

Product properties

Product type	Circular connectors (device side)
Product family	PRC 35
Number of positions	3

Insulation characteristics

Protection class	II (double or reinforced insulation)
Degree of pollution	2

Dimensions

Dimensional drawing	
Wrench size, union nut	32 mm

Material specifications

Color (Housing)	black (RAL 9005)
Color of the housing part	black
Flammability rating according to UL 94	V0
Seal material	EPDM
Housing material	PPE
Contact material	Cu
Contact carrier material	mPPE
O-ring material	Silicon

Electrical properties

Rated voltage (III/2)	690 V
Rated voltage	500 V DC (III/2.00) in accordance with IEC 61535 600 V AC / DC in accordance with UL 2237
Rated current	32 A (with 4 mm ² conductor cross-section)

Connection data

Conductor connection	
Connection method	Crimp connection

PRC 3-FT25-MC4 150 FE - Device connector rear mounting



1410531

<https://www.phoenixcontact.com/us/products/1410531>

Contact connection type	Pin
Conductor cross-section	4 mm ²
Conductor cross-section flexible	... 4 mm ²
Tightening torque	2.5 Nm ±0.1 Nm (Tightening torque nut)

Mechanical properties

Mechanical data

Insertion/withdrawal cycles	100
Insertion force	30 N ±10 N

Connector

Pull-out-force	150 N ±50 N
----------------	-------------

Cable/line

Cable length	150 mm
Single wire, material	PVC
Wire diameter incl. insulation	4.15 mm ±0.15 mm
Single wire, color	brown, blue, green/yellow
Cable cross section	4 mm ²

Environmental and real-life conditions

Ambient conditions

Degree of protection (when plugged in)	IP66/IP68 (2 m / 24 h) IP69K
Degree of protection (not plugged in)	IP65 (Lengthwise waterproofing)
Degree of protection	IP66/IP68 (2 m / 24 h) IP69K
Ambient temperature (operation)	-40 °C ... 105 °C (Depending on the current carrying capacity/derating curve)
Ambient temperature (storage/transport)	-40 °C ... 70 °C

Standards and regulations

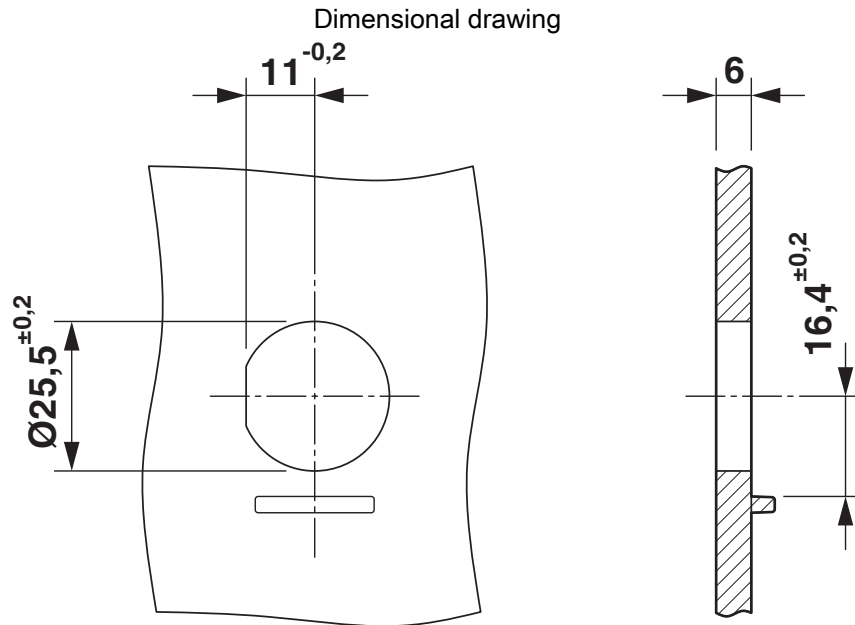
Standards/specifications	IEC 61984:2008
	EN 61984:2008
	DIN EN IEC 61535:2020
	IEC 61535:2019
	2 PfG 1915/03.2015
	UL 2237 Ed.1:2021-01-08
	CSA C22.2 No. 182.3-16 Ed.2:2019-01

PRC 3-FT25-MC4 150 FE - Device connector rear mounting

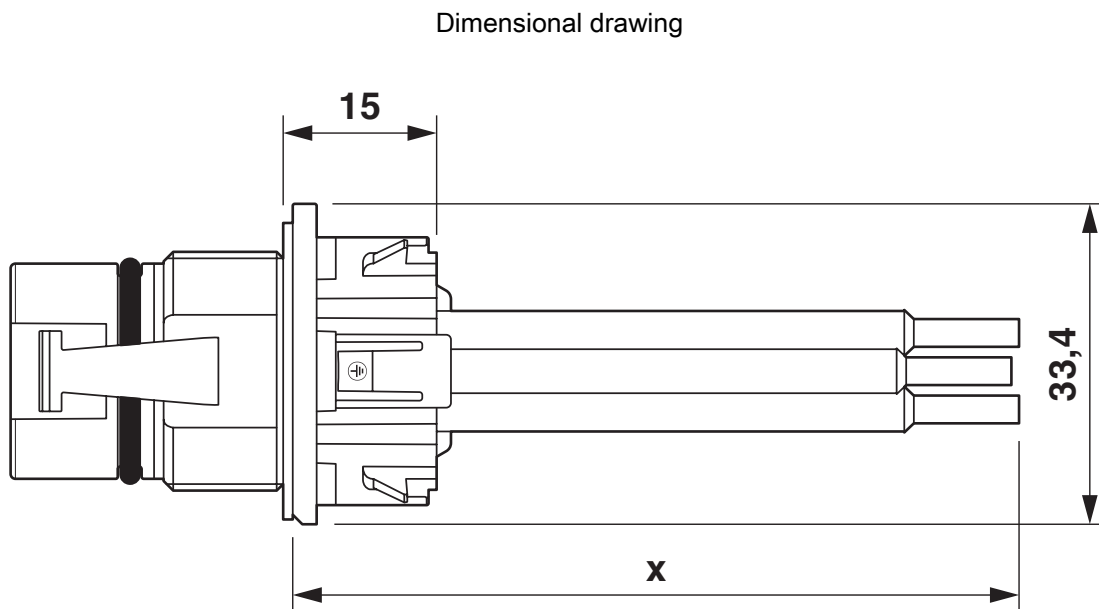
1410531

<https://www.phoenixcontact.com/us/products/1410531>

Drawings



Housing cutout



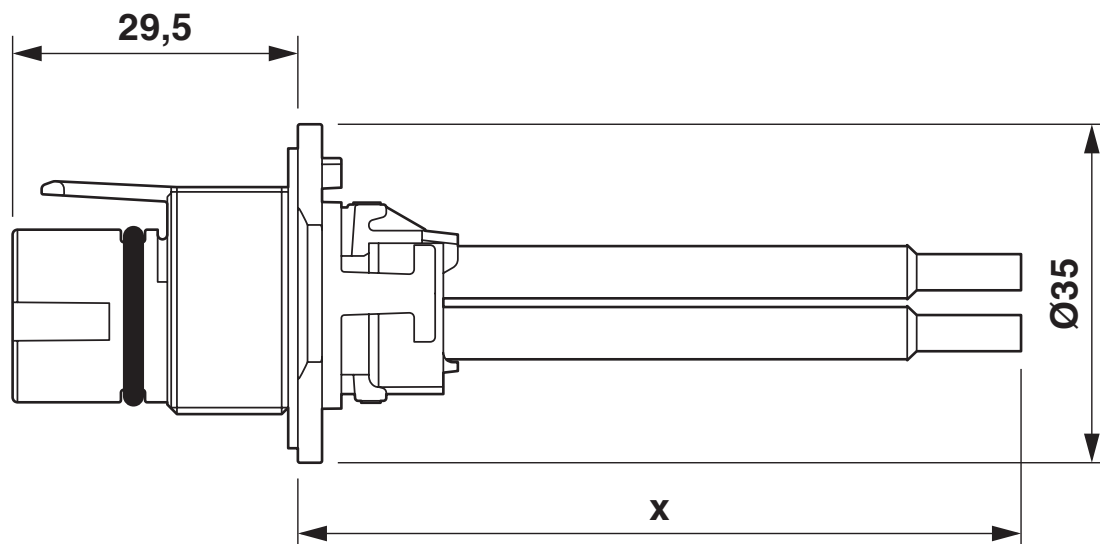
Dimensional drawing

PRC 3-FT25-MC4 150 FE - Device connector rear mounting

1410531

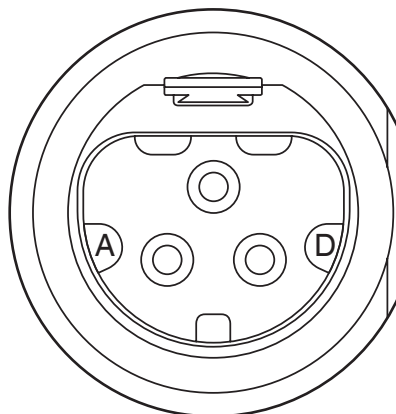
<https://www.phoenixcontact.com/us/products/1410531>

Dimensional drawing



Dimensional drawing

Schematic diagram



Connector pin assignment

PRC 3-FT25-MC4 150 FE - Device connector rear mounting



1410531

<https://www.phoenixcontact.com/us/products/1410531>

Classifications

ECLASS

ECLASS-13.0	27440602
ECLASS-15.0	27440602

PRC 3-FT25-MC4 150 FE - Device connector rear mounting



1410531

<https://www.phoenixcontact.com/us/products/1410531>

Environmental product compliance

China RoHS

Environment friendly use period (EFUP)	EFUP-50 An article-related China RoHS declaration table can be found in the download area for the respective article under "Manufacturer declaration". For all articles with EFUP-E, no China RoHS declaration table issued and required.
--	--

EU REACH SVHC

REACH candidate substance (CAS No.)	No substance above 0.1 wt%
-------------------------------------	----------------------------

Phoenix Contact 2026 © - all rights reserved
<https://www.phoenixcontact.com>

Phoenix Contact USA
586 Fulling Mill Road
Middletown, PA 17057, United States
(+717) 944-1300
info@phoenixcon.com