

SAC-5P-M12MS/2,0-92X/M12FSSHOD - Bus system cable



1410467

<https://www.phoenixcontact.com/us/products/1410467>

Please be informed that the data shown in this PDF document is generated from our online catalog. Please find the complete data in the user documentation. Our general terms of use for downloads are valid.



Bus system cable, CANopen®, DeviceNet™, 5-position, FRNC halogen-free, black, shielded, Plug straight M12, coding: A, on Socket straight M12, coding: A, cable length: 2 m, for outdoor applications, with high-grade steel knurl

Your advantages

- Easy and safe: 100 % electrically tested plug-in components
- Robust throughout: resistant to oil, UV, and ozone, withstands temperatures from -40°C ... +105°C
- Reliable signal transmission – 360° shielding in environments with electromagnetic interference

Commercial data

Item number	1410467
Packing unit	1 pc
Minimum order quantity	1 pc
Sales key	BF04
Product key	AF1CKD
GTIN	4046356899055
Weight per piece (including packing)	179.5 g
Weight per piece (excluding packing)	170.7 g
Customs tariff number	85444290
Country of origin	PL

SAC-5P-M12MS/2,0-92X/M12FSSHOD - Bus system cable



1410467

<https://www.phoenixcontact.com/us/products/1410467>

Technical data

Product properties

Product type	Data cable preassembled
Application	External areas
Number of positions	5
No. of cable outlets	1
Shielded	yes
Coding	A

Insulation characteristics

Degree of pollution	3
---------------------	---

Interfaces

Bus system	CANopen®/DeviceNet™
Signal type/category	CANopen® DeviceNet™

Signaling

Status display	no
Status display present	no

Electrical properties

Insulation resistance	≥ 100 MΩ
Nominal voltage U_N	48 V AC 60 V DC
Nominal current I_N	4 A
Transmission medium	Copper

Mechanical properties

Mechanical data

Insertion/withdrawal cycles	≥ 100
-----------------------------	-------

Material specifications

Flammability rating according to UL 94	V0
Seal material	FPM
Material of grip body	PP
Contact material	CuSn
Contact surface material	Ni/Au
Contact carrier material	PP
Material for screw connection	Stainless steel

Connection data

SAC-5P-M12MS/2,0-92X/M12FSSHOD - Bus system cable



1410467

<https://www.phoenixcontact.com/us/products/1410467>

Connection assignment

Contact Color (signal designation) Contact (optional)	
	1 (Plug) SR (shield) 1 (Socket)
	2 (Plug) RD (V+) 2 (Socket)
	3 (Plug) BK (V-) 3 (Socket)
	4 (Plug) WH (CAN_H) 4 (Socket)
	5 (Plug) BU (CAN_L) 5 (Socket)

Connector

Connection 1

Type	Plug straight M12
Number of positions	5
Coding type	A (Standard)


Connection 2

Type	Socket straight M12
Number of positions	5
Coding type	A (Standard)

Cable/line

Cable length	2 m
--------------	-----

CANopen®/DeviceNet™ outdoor installation, FRNC, black [92X]

Dimensional drawing	
Cable weight	70 kg/km
UL AWM Style	21281 (80°C/300 V)
Number of positions	4
Shielded	yes
Cable type	CANopen®/DeviceNet™ outdoor installation, FRNC, black [92X]
Conductor structure	2xAWG24/19+2xAWG22/19
Signal runtime	4.46 ns/m
Conductor structure signal line	19x 0.13 mm
AWG signal line	24
Conductor structure, voltage supply	19x 0.16 mm
AWG power supply	22
Conductor cross-section	2x 0.25 mm ² (Signal)
	2x 0.34 mm ² (Power)
	1x 0.38 mm ² (Drain wire)

SAC-5P-M12MS/2,0-92X/M12FSSHOD - Bus system cable



1410467

<https://www.phoenixcontact.com/us/products/1410467>

Wire diameter incl. insulation	1.9 mm (Signal)
	1.4 mm (Power)
External cable diameter	6.90 mm ±0.3 mm
Outer sheath, material	FRNC
External sheath, color	black
Conductor material	Tin-plated Cu litz wires
Material wire insulation	PE
Single wire, color	red-black, blue-white
Thickness, insulation	0.60 mm (Signal)
	0.30 mm (Power)
Thickness, outer sheath	1.15 mm
Twisted pairs	2 cores to the pair
Type of pair shielding	Aluminum-lined foil
Overall twist	2 pairs around a drain wire in the center to the core
Optical shield covering	70 %
Max. conductor resistance	90 Ω/km (Signal)
	55 Ω/km (Power)
Insulation resistance	≥ 200 MΩ*km (at 20 °C)
Wave impedance	120 Ω ±12 Ω (f = 1 MHz)
Working capacitance	39.8 nF (at 1 kHz, core/core)
Nominal voltage, cable	≤ 300 V
Test voltage Core/Core	2000 V (50 Hz, 1 min.)
Test voltage Core/Shield	2000.00 V (50 Hz, 1 min.)
Minimum bending radius, fixed installation	5 x D
Minimum bending radius, flexible installation	10 x D
Smallest bending radius, fixed installation	35 mm
Smallest bending radius, movable installation	69 mm
Halogen-free	yes
Flame resistance	According to IEC 60332-3-25 (Cat. D)
Resistance to oil	yes
Other resistance	UV resistant
Ambient temperature (operation)	-40 °C ... 105 °C
Ambient temperature (installation)	-40 °C ... 105 °C

Environmental and real-life conditions

Ambient conditions

Degree of protection	IP65
	IP67
	IP68
	IP69K
Ambient temperature (operation) (male connector/female connector)	-40 °C ... 105 °C (Plug / socket)
Ambient temperature (operation) (Operation)	-40 °C ... 85 °C (On sudden changes in temperature (according to IEC 60512-11-4))

SAC-5P-M12MS/2,0-92X/M12FSSHOD - Bus system cable



1410467

<https://www.phoenixcontact.com/us/products/1410467>

Standards and regulations

M12

Standard designation	M12 connector
Standards/specifications	IEC 61076-2-101

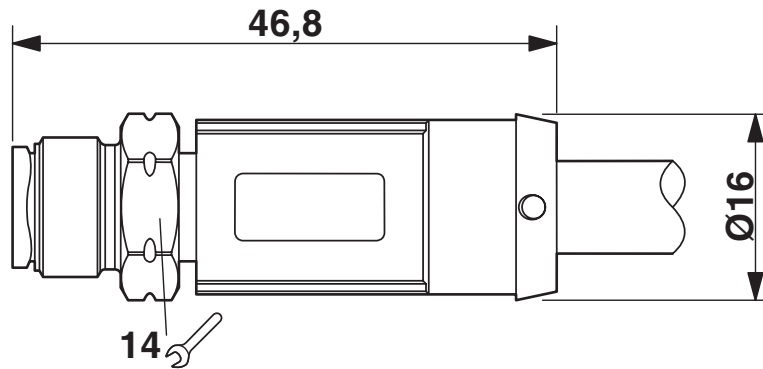
SAC-5P-M12MS/2,0-92X/M12FSSHOD - Bus system cable

1410467

<https://www.phoenixcontact.com/us/products/1410467>

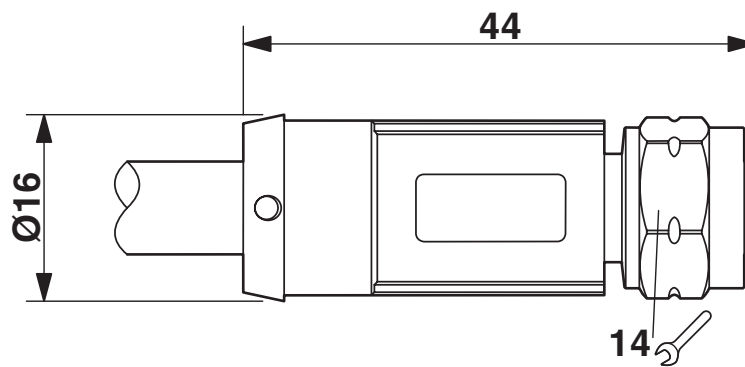
Drawings

Dimensional drawing



Plug, M12 x 1, straight, shielded

Dimensional drawing



M12 x 1 socket, straight

SAC-5P-M12MS/2,0-92X/M12FSSHOD - Bus system cable

1410467

<https://www.phoenixcontact.com/us/products/1410467>

Schematic diagram



Pin assignment M12 male connector, 5-pos., A-coded, male side

Schematic diagram



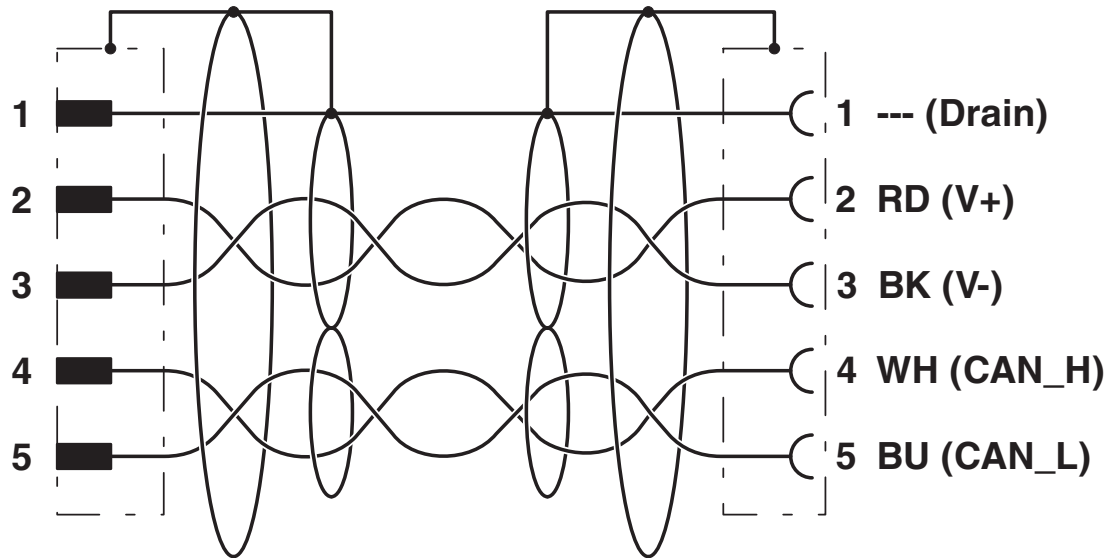
Pin assignment M12 socket, 5-pos., A-coded, socket side view

SAC-5P-M12MS/2,0-92X/M12FSSHOD - Bus system cable

1410467

<https://www.phoenixcontact.com/us/products/1410467>

Circuit diagram



Contact assignment of the M12 connector and the M12 socket

SAC-5P-M12MS/2,0-92X/M12FSSHOD - Bus system cable



1410467

<https://www.phoenixcontact.com/us/products/1410467>

Approvals

To download certificates, visit the product detail page: <https://www.phoenixcontact.com/us/products/1410467>



EAC-RoHS

Approval ID: RU D-DE.HB35.B.00387

SAC-5P-M12MS/2,0-92X/M12FSSHOD - Bus system cable



1410467

<https://www.phoenixcontact.com/us/products/1410467>

Classifications

ECLASS

ECLASS-13.0	27060307
ECLASS-15.0	27060307

UNSPSC

UNSPSC 21.0	26121600
-------------	----------

SAC-5P-M12MS/2,0-92X/M12FSSHOD - Bus system cable



1410467

<https://www.phoenixcontact.com/us/products/1410467>

Environmental product compliance

EU RoHS

Fulfills EU RoHS substance requirements	Yes, No exemptions
---	--------------------

China RoHS

Environment friendly use period (EFUP)	EFUP-E
	No hazardous substances above the limits

EU REACH SVHC

REACH candidate substance (CAS No.)	No substance above 0.1 wt%
-------------------------------------	----------------------------

EF3.1 Climate Change

CO2e kg	11.965 kg CO2e
---------	----------------

Phoenix Contact 2026 © - all rights reserved
<https://www.phoenixcontact.com>

Phoenix Contact USA
586 Fulling Mill Road
Middletown, PA 17057, United States
(+717) 944-1300
info@phoenixcon.com