

QPD C 4PE6,0 2X12-20 GY - Conductor connector



1410414

<https://www.phoenixcontact.com/us/products/1410414>

Please be informed that the data shown in this PDF document is generated from our online catalog. Please find the complete data in the user documentation. Our general terms of use for downloads are valid.



QUICKON cable connector, gray, 4+PE-pos., 2.5 mm² ... 6.0 mm²/690 V/40 A, for cable diameter of 12 mm ... 20 mm.

Your advantages

- Innovative and time saving - QUICKON fast connection for time saving of up to 80 % for on-site connection
- Robust throughout: housing with IP68/IP69K and IK07 protection for a wide range of applications
- Safer connection with mechanical coding to protect against mismatching, and touch-proof protection in accordance with DIN EN 0105
- Easy and safe - with the cable connector, you can repair or extend cables quickly, in combination with the connector as well as the coupling connection

Commercial data

Item number	1410414
Packing unit	1 pc
Minimum order quantity	1 pc
Product key	AF6CCC
GTIN	4046356929547
Weight per piece (including packing)	137 g
Weight per piece (excluding packing)	137 g
Country of origin	PL

QPD C 4PE6,0 2X12-20 GY - Conductor connector



1410414

<https://www.phoenixcontact.com/us/products/1410414>

Technical data

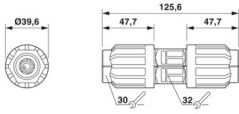
Product properties

Product type	Cable connector
Product family	QPD
Type	QPD 5x6,0
Number of positions	5
Connection profile	4+PE
Position marking	1, 2, L, N, PE
Number of connections per position	1
Coding	Coding profile

Insulation characteristics

Overvoltage category	III
Degree of pollution	3

Dimensions

Dimensional drawing	
Width	39.6 mm
Height	39.6 mm
Length	125.6 mm
Diameter	39.6 mm
Wrench size	30 mm
Wrench size for mounting	30 mm

Connection data

Connection technology

Frequency of connections between conductors of the same cross section	max. 10
---	---------

Conductor connection

Tightening torque	15 Nm
Tightening torque Union nut	15 Nm
Wrench size Union nut	30 mm

Electrical properties

Rated surge voltage (II/2)	8 kV
Rated surge voltage (III/2)	8 kV
Rated surge voltage (III/3)	6 kV
Rated current	40 A

1410414

<https://www.phoenixcontact.com/us/products/1410414>

Contact resistance	< 3 mΩ
rated voltage (II/2)	1000 V
rated voltage (III/2)	1000 V
Rated voltage (III/3)	690 V
Nominal voltage U_N	690 V
Nominal current I_N	40 A

Mechanical properties

Mechanical data

Insertion/withdrawal cycles	\geq 50 (QUICKON connections max. 10)
-----------------------------	---

Material specifications

Material Housing	PA
Material Contact surface	silver-plated
Flammability rating according to UL 94	V0
Material wire insulation	PVC/PE/TPE/rubber

Cable/line

Structure of individual litz in acc. with VDE 0295 / smallest wire diameter	VDE 0295 class 1 to 6/min. 0.15 mm
External cable diameter	12 mm ... 20 mm
Wire diameter including insulation	2.95 mm ... 5 mm
Position marking	1, 2, L, N, PE
Material wire insulation	PVC/PE/TPE/rubber

Environmental and real-life conditions

Ambient conditions

Degree of protection	IP66
	IP68 (2 m / 24 h)
	IP69K
Impact strength	IK07
Ambient temperature (operation)	-40 °C ... 100 °C
Temperature when conductor connected	-5 °C ... 50 °C
Ambient temperature (storage/transport)	-40 °C ... 100 °C

QPD C 4PE6,0 2X12-20 GY - Conductor connector

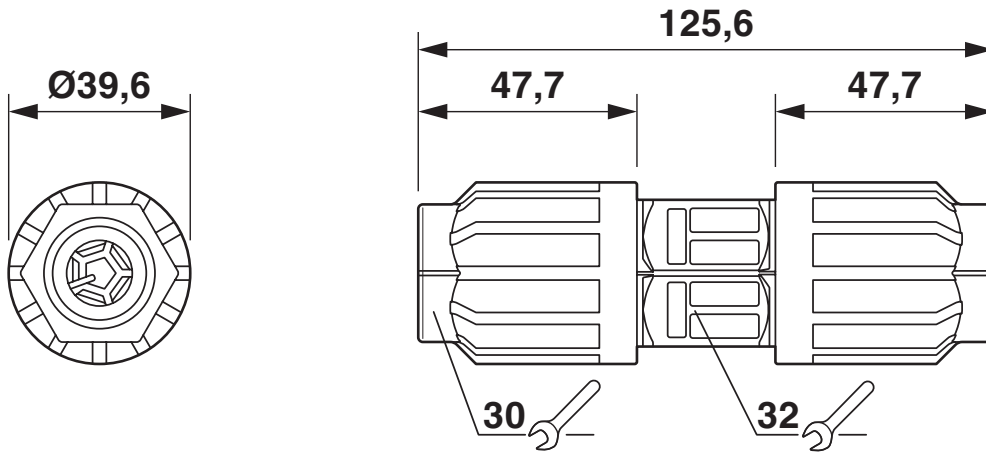


1410414

<https://www.phoenixcontact.com/us/products/1410414>

Drawings

Dimensional drawing



Dimensional drawing of QPD C 5x6,0

QPD C 4PE6,0 2X12-20 GY - Conductor connector



1410414

<https://www.phoenixcontact.com/us/products/1410414>

Classifications

ECLASS

ECLASS-13.0	27440605
ECLASS-15.0	27440605

QPD C 4PE6,0 2X12-20 GY - Conductor connector



1410414

<https://www.phoenixcontact.com/us/products/1410414>

Environmental product compliance

EU RoHS

Fulfills EU RoHS substance requirements	Yes, No exemptions
---	--------------------

EU REACH SVHC

REACH candidate substance (CAS No.)	No substance above 0.1 wt%
-------------------------------------	----------------------------

Phoenix Contact 2026 © - all rights reserved

<https://www.phoenixcontact.com>

Phoenix Contact USA
586 Fulling Mill Road
Middletown, PA 17057, United States
(+717) 944-1300
info@phoenixcon.com