

QPD W 4PE6,0 12-20 M25 0,5 GY - Panel feed-through



1410401

<https://www.phoenixcontact.com/us/products/1410401>

Please be informed that the data shown in this PDF document is generated from our online catalog. Please find the complete data in the user documentation. Our general terms of use for downloads are valid.



Panel feed-through, connection method: Single wires (Welded-on)/ IDC connection, number of positions: 4+PE, M25, Pin, 2.5 mm² ... 6 mm², 690 V, 40 A, PA, gray, with QUICKON nut, coding: coded, external cable diameter: 12 mm ... 20 mm, 6 mm², wires cut flat at the end, cable length: 0.5 m

Your advantages

- Innovative and time saving - QUICKON fast connection for time saving of up to 80 % for on-site connection
- Robust throughout: housing with IP68/IP69K and IK07 protection for a wide range of applications
- Safer connection with mechanical coding to protect against mismatching, and touch-proof protection in accordance with DIN EN 0105
- Efficient - by using panel feed-throughs, devices no longer need to be opened in order to connect cables

Commercial data

Item number	1410401
Packing unit	1 pc
Minimum order quantity	1 pc
Product key	AF6ACC
GTIN	4046356929417
Weight per piece (including packing)	247.5 g
Weight per piece (excluding packing)	247.5 g
Country of origin	PL

QPD W 4PE6,0 12-20 M25 0,5 GY - Panel feed-through

1410401

<https://www.phoenixcontact.com/us/products/1410401>

Technical data

Product properties

Product type	Panel feed-through
Product family	QPD
Type	QPD 5x6,0
Number of positions	5
Connection profile	4+PE
Position marking	1, 2, L, N, PE
Number of connections	10
Number of connections per position	1
Coding	coded

Insulation characteristics

Overvoltage category	III
Degree of pollution	3

Connection data

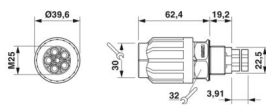
Connection technology

Connection method On the device side	Single wires (Welded-on)
Connection method On the field side	IDC connection
Frequency of connections between conductors of the same cross section	max. 10

Conductor connection

Conductor cross-section flexibel	2.5 mm ² ... 6 mm ²
Conductor cross-section solid	2.5 mm ² ... 6 mm ²
Connection cross section AWG	14 ... 10
Tightening torque Union nut	15 Nm
Wrench size Union nut	30 mm

Dimensions

Dimensional drawing	
Width	39.6 mm
Height	39.6 mm
Length	81.6 mm
Diameter	39.6 mm
Wrench size	30 mm
Wrench size for mounting	30 mm

Electrical properties

QPD W 4PE6,0 12-20 M25 0,5 GY - Panel feed-through



1410401

<https://www.phoenixcontact.com/us/products/1410401>

Rated surge voltage (II/2)	8 kV
Rated surge voltage (III/2)	8 kV
Rated surge voltage (III/3)	6 kV
Rated current	40 A
Contact resistance	< 3 mΩ
rated voltage (II/2)	1000 V
rated voltage (III/2)	1000 V
Rated voltage (III/3)	690 V
Nominal voltage U_N	690 V AC
	690 V DC
Nominal current I_N	40 A

Material specifications

Material Housing	PA
Material Contact	Cu
Material Contact surface	silver-plated
Flammability rating according to UL 94	V0
Material wire insulation	PVC/PE/TPE/rubber

Cable/line

Cable length	0.5 m
Structure of individual litz in acc. with VDE 0295 / smallest wire diameter	VDE 0295 class 1 to 6/min. 0.15 mm
External cable diameter	12 mm ... 20 mm
Wire diameter including insulation	2.95 mm ... 5 mm
Position marking	1, 2, L, N, PE
Single wire, color	black, brown, gray, blue, green/yellow
Cable cross section	6 mm ²
Material wire insulation	PVC/PE/TPE/rubber

Mounting

Mounting type	Front mounting M25
---------------	--------------------

Environmental and real-life conditions

Ambient conditions

Degree of protection	IP66
	IP68 (2 m / 24 h)
	IP69K
Impact strength	IK07
Ambient temperature (operation)	-40 °C ... 100 °C
Temperature when conductor connected	-5 °C ... 50 °C
Ambient temperature (storage/transport)	-40 °C ... 100 °C

QPD W 4PE6,0 12-20 M25 0,5 GY - Panel feed-through

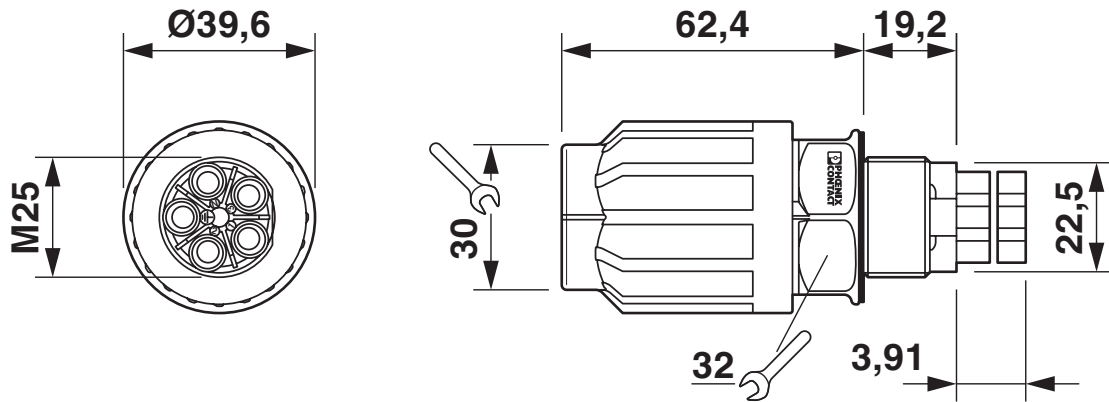


1410401

<https://www.phoenixcontact.com/us/products/1410401>

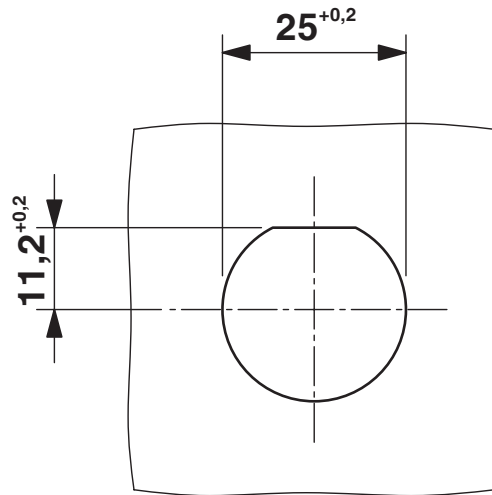
Drawings

Dimensional drawing



Dimensional drawing of QPD W 4PE6,0 M25

Dimensional drawing

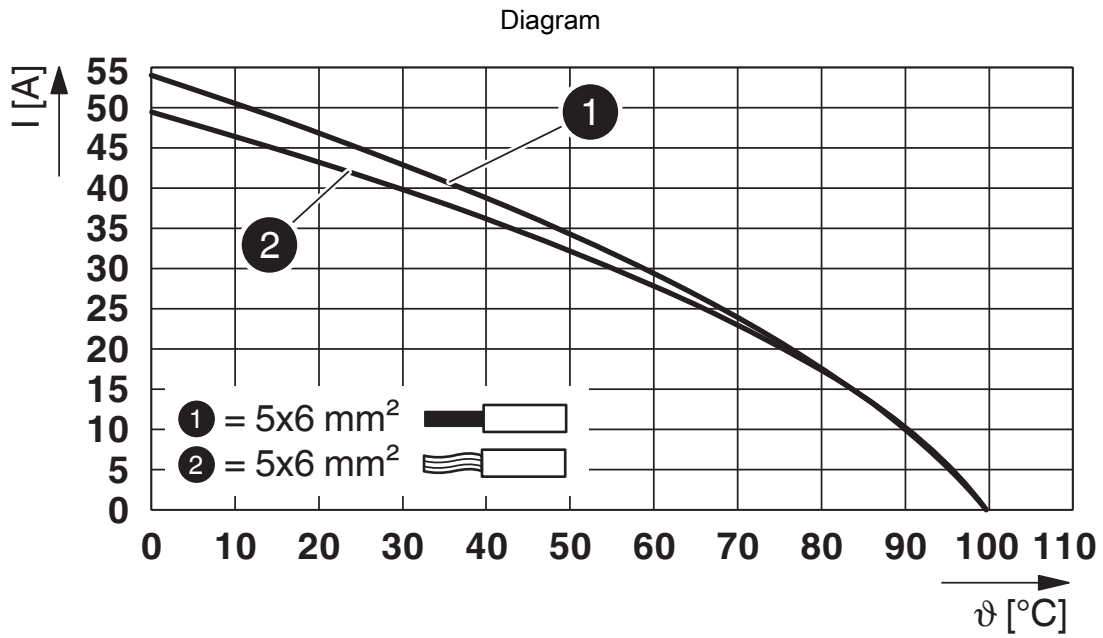


Panel cutout

QPD W 4PE6,0 12-20 M25 0,5 GY - Panel feed-through

1410401

<https://www.phoenixcontact.com/us/products/1410401>



Derating diagram

QPD W 4PE6,0 12-20 M25 0,5 GY - Panel feed-through



1410401

<https://www.phoenixcontact.com/us/products/1410401>

Classifications

ECLASS

ECLASS-13.0	27440602
ECLASS-15.0	27440602

ETIM

ETIM 9.0	EC002566
----------	----------

UNSPSC

UNSPSC 21.0	39121522
-------------	----------

QPD W 4PE6,0 12-20 M25 0,5 GY - Panel feed-through



1410401

<https://www.phoenixcontact.com/us/products/1410401>

Environmental product compliance

China RoHS

Environment friendly use period (EFUP)	EFUP-50
	An article-related China RoHS declaration table can be found in the download area for the respective article under "Manufacturer declaration". For all articles with EFUP-E, no China RoHS declaration table issued and required.

EU REACH SVHC

REACH candidate substance (CAS No.)	No substance above 0.1 wt%
-------------------------------------	----------------------------

Phoenix Contact 2026 © - all rights reserved
<https://www.phoenixcontact.com>

Phoenix Contact USA
586 Fulling Mill Road
Middletown, PA 17057, United States
(+717) 944-1300
info@phoenixcon.com