

# QPD W 4PE6,0 9-14 M25 1,0 BK - Panel feed-through



1410393

<https://www.phoenixcontact.com/us/products/1410393>

Please be informed that the data shown in this PDF document is generated from our online catalog. Please find the complete data in the user documentation. Our general terms of use for downloads are valid.



QUICKON panel feed-through, 4+PE-pos., 2.5 mm<sup>2</sup> ... 6.0 mm<sup>2</sup>/690 V/40 A, with QUICKON nut, black, for cable diameter of 9 mm ... 14 mm, M25 connection thread with 5 welded-on 6.0 mm<sup>2</sup> cable wires, 1.0 m long, cut flat at the end.

## Your advantages

- Innovative and time saving - QUICKON fast connection for time saving of up to 80 % for on-site connection
- Robust throughout: housing with IP68/IP69K and IK07 protection for a wide range of applications
- Safer connection with mechanical coding to protect against mismatching, and touch-proof protection in accordance with DIN EN 0105
- Efficient - by using panel feed-throughs, devices no longer need to be opened in order to connect cables

## Commercial data

Item number	1410393
Packing unit	1 pc
Minimum order quantity	1 pc
Sales key	BF50
Product key	AF6ACC
GTIN	4046356929318
Weight per piece (including packing)	412.4 g
Weight per piece (excluding packing)	412 g
Customs tariff number	85366990
Country of origin	PL

# QPD W 4PE6,0 9-14 M25 1,0 BK - Panel feed-through



1410393

<https://www.phoenixcontact.com/us/products/1410393>

## Technical data

### Product properties

Product type	Panel feed-through
Product family	QPD
Type	QPD 5x6,0
Number of positions	5
Connection profile	4+PE
Position marking	1, 2, 3, N, PE
Number of connections	10
Number of connections per position	1
Coding	coded

### Insulation characteristics

Overvoltage category	III
Degree of pollution	3

### Connection data

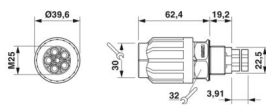
#### Connection technology

Connection method On the device side	Single wires (Welded-on)
Connection method On the field side	IDC connection
Frequency of connections between conductors of the same cross section	max. 10

#### Conductor connection

Conductor cross-section flexibel	2.5 mm <sup>2</sup> ... 6 mm <sup>2</sup>
Conductor cross-section solid	2.5 mm <sup>2</sup> ... 6 mm <sup>2</sup>
Connection cross section AWG	14 ... 10
Tightening torque Union nut	15 Nm
Wrench size Union nut	30 mm

### Dimensions

Dimensional drawing	
Width	39.6 mm
Height	39.6 mm
Length	81.6 mm
Diameter	39.6 mm
Wrench size	30 mm
Wrench size for mounting	30 mm

### Electrical properties

1410393

<https://www.phoenixcontact.com/us/products/1410393>

Rated surge voltage (II/2)	8 kV
Rated surge voltage (III/2)	8 kV
Rated surge voltage (III/3)	6 kV
Rated current	40 A
Contact resistance	< 3 mΩ
rated voltage (II/2)	1000 V
rated voltage (III/2)	1000 V
Rated voltage (III/3)	690 V
Nominal voltage $U_N$	690 V AC
	690 V DC
Nominal current $I_N$	40 A

## Mechanical properties

### Mechanical data

Insertion/withdrawal cycles	max. 50
-----------------------------	---------

## Material specifications

Color	black (RAL 9005)
Material Housing	PA
Material Contact surface	silver-plated
Material Seal	NBR
Flammability rating according to UL 94	V0
Material wire insulation	PVC/PE/TPE/rubber

## Cable/line

Cable length	1 m
Structure of individual litz in acc. with VDE 0295 / smallest wire diameter	VDE 0295 class 1 to 6/min. 0.15 mm
External cable diameter	9 mm ... 14 mm
Wire diameter including insulation	2.95 mm ... 5 mm
Position marking	1, 2, 3, N, PE
Single wire, color	black, brown, gray, blue, green/yellow
Cable cross section	6 mm <sup>2</sup>
Material wire insulation	PVC/PE/TPE/rubber

## Mounting

Mounting type	Front mounting M25
---------------	--------------------

## Environmental and real-life conditions

### Ambient conditions

Degree of protection	IP66
	IP68 (2 m / 24 h)
	IP69K
Impact strength	IK07

# QPD W 4PE6,0 9-14 M25 1,0 BK - Panel feed-through



1410393

<https://www.phoenixcontact.com/us/products/1410393>

Ambient temperature (operation)	-40 °C ... 100 °C
Temperature when conductor connected	-5 °C ... 50 °C
Ambient temperature (storage/transport)	-40 °C ... 100 °C

# QPD W 4PE6,0 9-14 M25 1,0 BK - Panel feed-through



1410393

<https://www.phoenixcontact.com/us/products/1410393>

## Drawings

Dimensional drawing



Dimensional drawing of QPD W 4PE6,0 M25

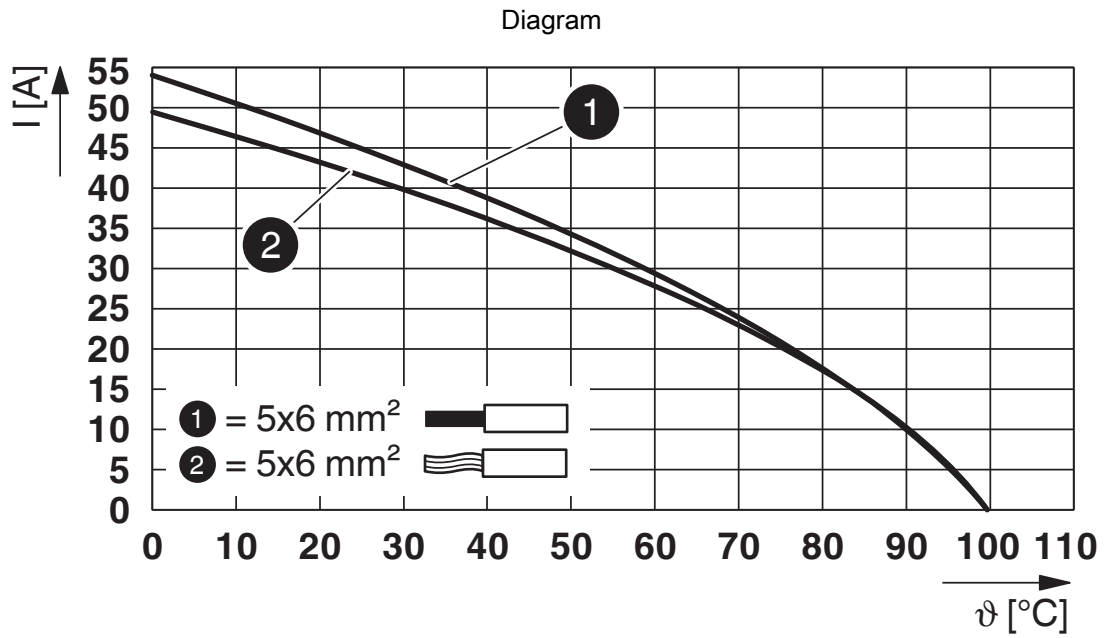
Dimensional drawing



Panel cutout

1410393

<https://www.phoenixcontact.com/us/products/1410393>



Derating diagram

1410393

<https://www.phoenixcontact.com/us/products/1410393>

## Approvals

To download certificates, visit the product detail page: <https://www.phoenixcontact.com/us/products/1410393>



**IECEE CB Scheme**  
Approval ID: DE1-65875



**DNV GL**  
Approval ID: TAE00003J5



**VDE Zeichengenehmigung**  
Approval ID: 40029149



**UL Listed**  
Approval ID: E468743

	Nominal voltage $U_N$	Nominal current $I_N$	Cross section AWG	Cross section $\text{mm}^2$
keine				
	600 V	20 A	- 12	-



**cUL Listed**  
Approval ID: E468743

	Nominal voltage $U_N$	Nominal current $I_N$	Cross section AWG	Cross section $\text{mm}^2$
keine				
	600 V	20 A	- 12	-

1410393

<https://www.phoenixcontact.com/us/products/1410393>

## Classifications

### ECLASS

ECLASS-13.0	27440602
ECLASS-15.0	27440602

### ETIM

ETIM 10.0	EC002566
-----------	----------

### UNSPSC

UNSPSC 21.0	39121500
-------------	----------

# QPD W 4PE6,0 9-14 M25 1,0 BK - Panel feed-through



1410393

<https://www.phoenixcontact.com/us/products/1410393>

## Environmental product compliance

### EU RoHS

Fulfills EU RoHS substance requirements	Yes, No exemptions
---	--------------------

### China RoHS

Environment friendly use period (EFUP)	EFUP-E
	No hazardous substances above the limits

### EU REACH SVHC

REACH candidate substance (CAS No.)	No substance above 0.1 wt%
-------------------------------------	----------------------------

Phoenix Contact 2026 © - all rights reserved  
<https://www.phoenixcontact.com>

Phoenix Contact USA  
586 Fulling Mill Road  
Middletown, PA 17057, United States  
(+717) 944-1300  
[info@phoenixcon.com](mailto:info@phoenixcon.com)