

SACC-M12 NUT PRESS GN - Housing screw connection

1410328

<https://www.phoenixcontact.com/us/products/1410328>

Please be informed that the data shown in this PDF document is generated from our online catalog. Please find the complete data in the user documentation. Our general terms of use for downloads are valid.

Housing screw connection for two-piece M12 connectors for the reflow soldering process.



Commercial data

Item number	1410328
Packing unit	10 pc
Minimum order quantity	100 pc
Note	Made to order (non-returnable)
Product key	ABQACK
GTIN	4046356895897
Weight per piece (including packing)	10.14 g
Weight per piece (excluding packing)	9.72 g
Country of origin	DE

SACC-M12 NUT PRESS GN - Housing screw connection



1410328

<https://www.phoenixcontact.com/us/products/1410328>

Technical data

Product properties

Product type	Panel mounting base
--------------	---------------------

Material specifications

Material (Housing)	CuZn
Seal material	NBR

Environmental and real-life conditions

Ambient conditions

Degree of protection	IP67 (When plugged in)
Ambient temperature (operation) (male connector/female connector)	-40 °C ... 85 °C (fixed routing)

Standards and regulations

M12

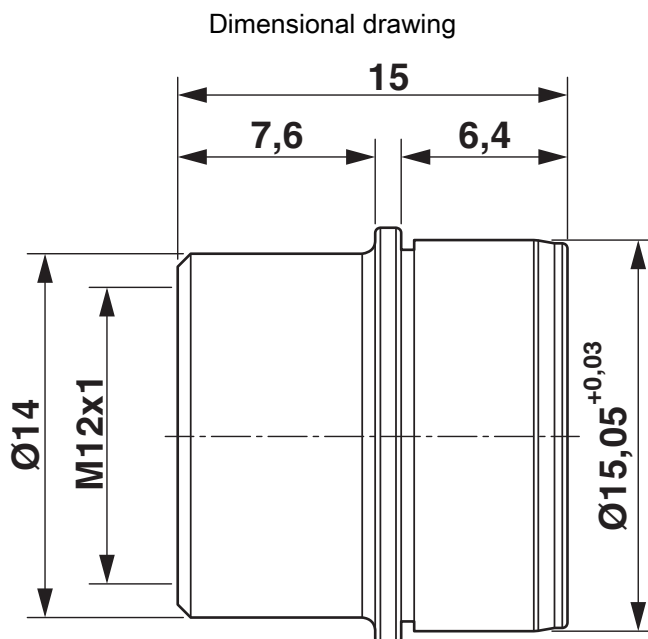
Standard designation	M12 connector
Standards/specifications	IEC 61076-2-101

SACC-M12 NUT PRESS GN - Housing screw connection

1410328

<https://www.phoenixcontact.com/us/products/1410328>

Drawings



SACC-M12 NUT PRESS GN - Housing screw connection

1410328

<https://www.phoenixcontact.com/us/products/1410328>

Dimensional drawing



Housing bore holes

SACC-M12 NUT PRESS GN - Housing screw connection



1410328

<https://www.phoenixcontact.com/us/products/1410328>

Classifications

UNSPSC

UNSPSC 21.0	39121400
-------------	----------

SACC-M12 NUT PRESS GN - Housing screw connection



1410328

<https://www.phoenixcontact.com/us/products/1410328>

Environmental product compliance

EU RoHS

Fulfills EU RoHS substance requirements	Yes
Exemption	6(c)

China RoHS

Environment friendly use period (EFUP)	EFUP-50
	An article-related China RoHS declaration table can be found in the download area for the respective article under "Manufacturer declaration". For all articles with EFUP-E, no China RoHS declaration table issued and required.

EU REACH SVHC

REACH candidate substance (CAS No.)	Lead(CAS: 7439-92-1)
-------------------------------------	----------------------

Phoenix Contact 2026 © - all rights reserved
<https://www.phoenixcontact.com>

Phoenix Contact USA
586 Fulling Mill Road
Middletown, PA 17057, United States
(+717) 944-1300
info@phoenixcon.com