

# SACCBP-FSD-4CON-PG9/1,5-937SCO - Flush-type connector



1410299

<https://www.phoenixcontact.com/us/products/1410299>

Please be informed that the data shown in this PDF document is generated from our online catalog. Please find the complete data in the user documentation. Our general terms of use for downloads are valid.



Flush-type connector, PROFINET CAT5, 4-position, PE-X, black RAL 9005, shielded, Bus line, Product tested according to customer specification/rail application

## Commercial data

Item number	1410299
Packing unit	1 pc
Minimum order quantity	1 pc
Note	Made to order (non-returnable)
Sales key	AB25
Product key	ABQYAA
GTIN	4046356895910
Weight per piece (including packing)	120.9 g
Weight per piece (excluding packing)	120.9 g
Customs tariff number	85444290
Country of origin	DE

# SACCBP-FSD-4CON-PG9/1,5-937SCO - Flush-type connector



1410299

<https://www.phoenixcontact.com/us/products/1410299>

## Technical data

### Notes

#### Safety note

Safety note	<p>WARNING: The connectors may not be plugged in or disconnected under load. Ignoring the warning or improper use may damage persons and/or property.</p>
	<ul style="list-style-type: none"><li>• WARNING: Commission properly functioning products only. The products must be regularly inspected for damage. Decommission defective products immediately. Replace damaged products. Repairs are not possible.</li></ul>
	<ul style="list-style-type: none"><li>• WARNING: Only electrically qualified personnel may install and operate the product. They must observe the following safety notes. The qualified personnel must be familiar with the basics of electrical engineering. They must be able to recognize and prevent danger. The relevant symbol on the packaging indicates that only personnel familiar with electrical engineering are allowed to install and operate the product.</li></ul>
	<ul style="list-style-type: none"><li>• The products are suitable for applications in plant, controller, and electrical device engineering.</li></ul>
	<ul style="list-style-type: none"><li>• When operating the connectors in outdoor applications, they must be separately protected against environmental influences.</li></ul>
	<ul style="list-style-type: none"><li>• Assembled products may not be manipulated or improperly opened.</li></ul>
	<ul style="list-style-type: none"><li>• Only use mating connectors that are specified in the technical data of the standards listed (e.g. the ones listed in the product accessories online at <a href="https://www.phoenixcontact.com/products">phoenixcontact.com/products</a>).</li></ul>
	<ul style="list-style-type: none"><li>• When using the product in direct connection with third-party manufacturers, the user is responsible.</li></ul>
	<ul style="list-style-type: none"><li>• For operating voltages &gt; 50 V AC, conductive connector housings must be grounded</li></ul>
	<ul style="list-style-type: none"><li>• Ensure that when laying the cable, the tensile load on the connectors does not exceed the upper limit specified in the standards.</li></ul>
	<ul style="list-style-type: none"><li>• Observe the corresponding technical data. You will find information:<ul style="list-style-type: none"><li>o On the product</li><li>o On the packing label</li><li>o In the supplied documentation</li><li>o Online at <a href="https://www.phoenixcontact.com/products">phoenixcontact.com/products</a> under the product</li></ul></li></ul>
	<ul style="list-style-type: none"><li>• Only use tools recommended by Phoenix Contact</li></ul>
	<ul style="list-style-type: none"><li>• Use a protective cap to protect connectors that are not in use. The suitable accessories are available online in the accessory section of the product at <a href="https://www.phoenixcontact.com/products">phoenixcontact.com/products</a></li></ul>
	<ul style="list-style-type: none"><li>• Ensure that the protective or functional ground has been properly connected.</li></ul>
<ul style="list-style-type: none"><li>• VDE 0100/1.97 § 411.1.3.2 and DIN EN 60 204/11.98 § 14.1.3 are applicable when combining several circuits in a cable and/or connector</li></ul>	
<ul style="list-style-type: none"><li>• The connector warms up in normal operation. Depending on the</li></ul>	

# SACCBP-FSD-4CON-PG9/1,5-937SCO - Flush-type connector



1410299

<https://www.phoenixcontact.com/us/products/1410299>

ambient conditions, the surface of the connector can continue to warm up. In this case, the user is responsible for posting warnings (e.g. DIN EN ISO 13732-1:2008-12).

## Product properties

Number of positions	4
No. of cable outlets	1
Shielded	yes
Coding	D

## Insulation characteristics

Overvoltage category	II
Degree of pollution	3

## Electrical properties

Rated surge voltage	2.5 kV AC
Nominal voltage $U_N$	250 V
Nominal current $I_N$	4 A
Transmission medium	Copper
Transmission characteristics (category)	CAT5 (IEC 11801:2002)

## Connection data

Connection method	Bus line
Tightening torque	2 ... 3 Nm

## Interfaces

Bus system	PROFINET
Signal type/category	PROFINET CAT5 (IEC 11801:2002)

## Signaling

Status display	no
Status display present	no

## Material specifications

Flammability rating according to UL 94	V0
Outer sheath, material	PE-X


## Cable/line

PROFINET RADOX® railway application CAT5 [937]

# SACCBP-FSD-4CON-PG9/1,5-937SCO - Flush-type connector

1410299

<https://www.phoenixcontact.com/us/products/1410299>

Dimensional drawing	
Shielded	yes
Cable weight	70 kg/km
Cable type	PROFINET RADOX® railway application CAT5
Cable type (abbreviation)	937
Signal type/category	PROFINET CAT5 (IEC 11801), 100 Mbps EtherCAT® CAT5 (IEC 11801), 100 Mbps
Cable structure	1x4xAWG22/7, SF/TQ
External cable diameter	6.60 mm ±0.4 mm
Outer sheath, material	PE-X
External sheath, color	black RAL 9005
Thickness, outer sheath	approx. 1.00 mm
Conductor material	silver-plated Cu litz wires
Conductor structure signal line	7x 0.25 mm
AWG signal line	22
Conductor cross-section	4x 0.34 mm <sup>2</sup>
Material wire insulation	Foamed PE
Wire diameter incl. insulation	approx. 1.5 mm
Single wire, color	white-blue, orange-yellow
Overall twist	Star quad
Shielding	Plastic-coated aluminum foil, tinned copper braided shield
Nominal voltage, cable	300 V AC
Test voltage, cable	2000 V AC (50 Hz, 5 minutes)
Cable resistance	≤ 54.4 Ω/km
Coupling resistance	200.00 mΩ/m (f ≤ 30 MHz)
Wave impedance	100 Ω ±5 Ω (f = 100 MHz)
Working capacitance	≤ 65 pF (Line-line) ≤ 100 pF (Line-shield)
Signal speed	75 c
Minimum bending radius, fixed installation	6 x D
Remote crosstalk attenuation (FEXT)	78 dB (with 1 MHz) 77 dB (at 4 MHz) 70 dB (at 10 MHz) 65 dB (at 31.5 MHz) 56 dB (at 62.5 MHz)

# SACCBP-FSD-4CON-PG9/1,5-937SCO - Flush-type connector



1410299

<https://www.phoenixcontact.com/us/products/1410299>

	48 dB (at 100 MHz)
Near end crosstalk attenuation (NEXT)	73 dB (with 1 MHz)
	70 dB (at 4 MHz)
	65 dB (at 10 MHz)
	57 dB (at 31.5 MHz)
	52 dB (at 62.5 MHz)
	48 dB (at 100 MHz)
Return attenuation (RL)	25 dB (at 4 MHz)
	30 dB (at 10 MHz)
	30 dB (at 31.5 MHz)
	30 dB (at 62.5 MHz)
	28 dB (at 100 MHz)
Shield attenuation	40.00 dB (30 MHz ≤ f ≤ 100 MHz)
Fire protection in rail vehicles	BS 6853 (Category Ia, Ib, II)
	GM/RT 2130 (Category Ia, Ib, II)
	EN 45545 (Risk level HL1 - HL3)
	DIN 5510 (Fire protection level 1, 2, 3, 4)
	NF F16-101 (Category A1, A2, B)
	NF F16-101 (Class C/F0)
	NFPA 130
	UNI CEI 11170 (Risk level LR1 - LR4)
Halogen-free	in accordance with EN 50267-2-1
Resistance to oil	according to IRM 902, 72 h at 100 °C
Concentration of fumes	BS 6853 D.8.7
	EN 61034-2
	UL 1685, 12 (FT4)
Fume toxicity	BS 6853 B.1
	EN 50305, 9.2
Fume corrosiveness	EN 50267-2-2
Flame resistance	IEC 60332-1-2
	EN 50266
	EN 60332-3-25
	NF C32-070, 2.1
	NF C32-070, 2.2
	UL 1685, 12 (FT4)
	in accordance with ISO 6722-1 5.22 (UN ECE-R 118.01)
	Other resistance
Ambient temperature (operation)	-40 °C ... 90 °C (Cable, flexible installation)
	-50 °C ... 90 °C (cable, fixed installation)

## Environmental and real-life conditions

### Ambient conditions

# SACCBP-FSD-4CON-PG9/1,5-937SCO - Flush-type connector



1410299

<https://www.phoenixcontact.com/us/products/1410299>

Degree of protection	IP67 (When plugged in)
	IP65 (When plugged in)
	IP65/IP67
Ambient temperature (operation)	-25 °C ... 85 °C

## Standards and regulations

M12

Standard designation	M12 connector
Standards/specifications	according to IEC 61076-2-101

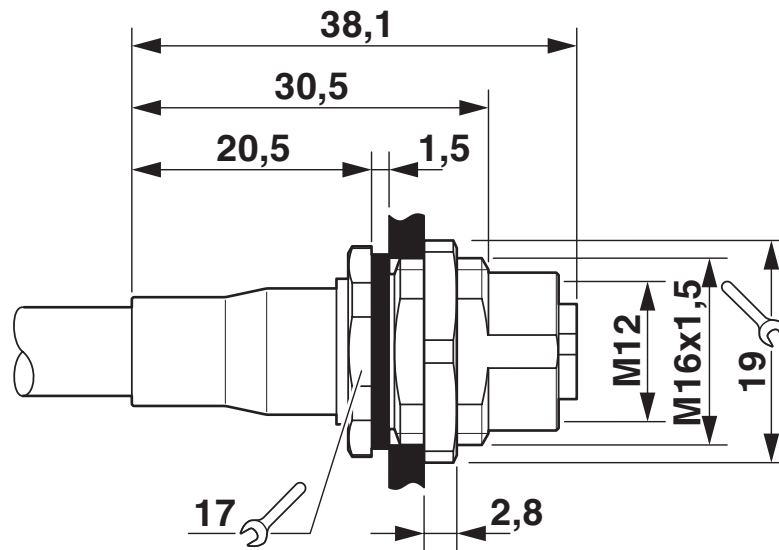
# SACCBP-FSD-4CON-PG9/1,5-937SCO - Flush-type connector

1410299

<https://www.phoenixcontact.com/us/products/1410299>

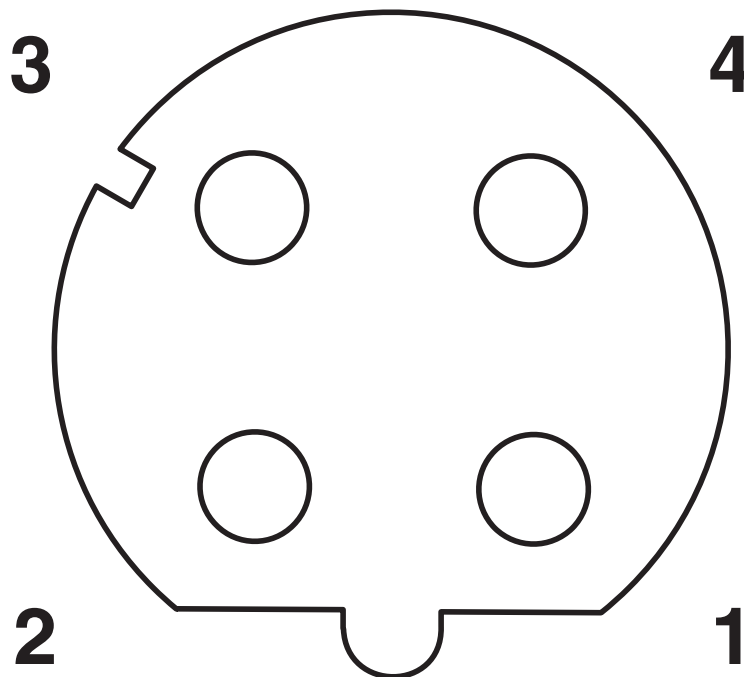
## Drawings

Dimensional drawing



M12 flush-type connector

Schematic diagram



Pin assignment M12 socket, 4-pos., D-coded, female side

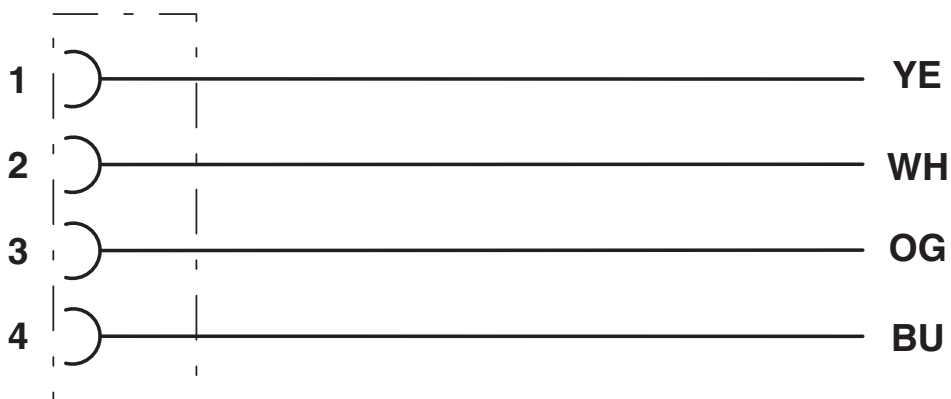
# SACCBP-FSD-4CON-PG9/1,5-937SCO - Flush-type connector



1410299

<https://www.phoenixcontact.com/us/products/1410299>

## Circuit diagram



Contact assignment of the M12 socket

# SACCBP-FSD-4CON-PG9/1,5-937SCO - Flush-type connector



1410299

<https://www.phoenixcontact.com/us/products/1410299>

## Classifications

### UNSPSC

UNSPSC 21.0	26121604
-------------	----------

# SACCBP-FSD-4CON-PG9/1,5-937SCO - Flush-type connector



1410299

<https://www.phoenixcontact.com/us/products/1410299>

## Environmental product compliance

### EU RoHS

Fulfills EU RoHS substance requirements	Yes
Exemption	6(c)

### China RoHS

Environment friendly use period (EFUP)	EFUP-50
	An article-related China RoHS declaration table can be found in the download area for the respective article under "Manufacturer declaration". For all articles with EFUP-E, no China RoHS declaration table issued and required.

### EU REACH SVHC

REACH candidate substance (CAS No.)	Lead(CAS: 7439-92-1)
-------------------------------------	----------------------

Phoenix Contact 2026 © - all rights reserved  
<https://www.phoenixcontact.com>

Phoenix Contact USA  
586 Fulling Mill Road  
Middletown, PA 17057, United States  
(+717) 944-1300  
[info@phoenixcon.com](mailto:info@phoenixcon.com)