

# PROT-MINMS-PA VPE100 - Screw plug



1410125

<https://www.phoenixcontact.com/us/products/1410125>

Please be informed that the data shown in this PDF document is generated from our online catalog. Please find the complete data in the user documentation. Our general terms of use for downloads are valid.

Sealing cap, 7/8", plastic, for flush-type connectors, for 7/8" sockets



## Commercial data

Item number	1410125
Packing unit	100 pc
Minimum order quantity	500 pc
Note	Made to order (non-returnable)
Product key	AF1ZAX
GTIN	4046356890939
Weight per piece (including packing)	9.83 g
Weight per piece (excluding packing)	9.83 g
Country of origin	DE

# PROT-MINMS-PA VPE100 - Screw plug

1410125

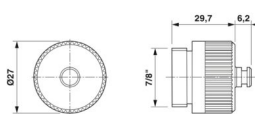
<https://www.phoenixcontact.com/us/products/1410125>

## Technical data

### Product properties

Product type	Plug for cable screw gland
Thread type	7/8"

### Dimensions

Dimensional drawing	
Diameter	27 mm

### Material specifications

Flammability rating according to UL 94	V0
Seal material	NBR
Material for screw connection	PA 6.6

### Environmental and real-life conditions

#### Ambient conditions

Degree of protection	IP65
	IP67
Ambient temperature (operation)	-40 °C ... 85 °C

# PROT-MINMS-PA VPE100 - Screw plug

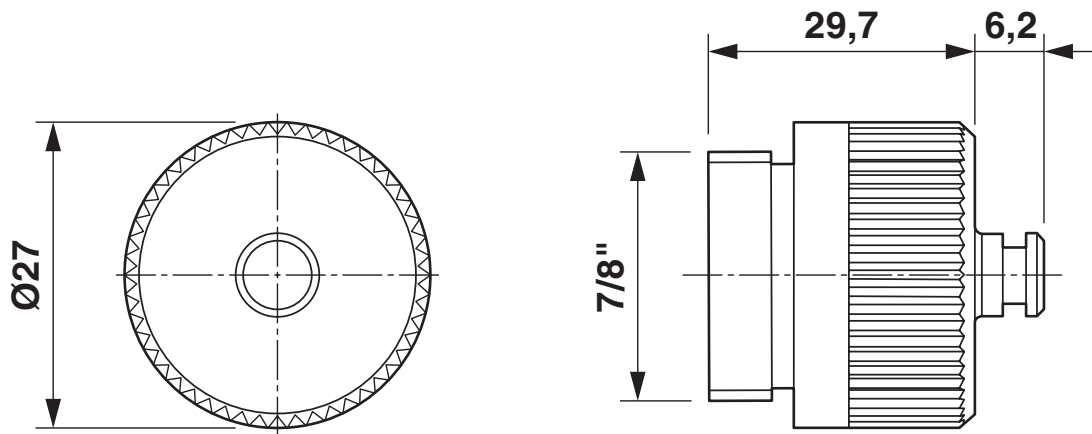


1410125

<https://www.phoenixcontact.com/us/products/1410125>

## Drawings

Dimensional drawing



Dimensional drawing

# PROT-MINMS-PA VPE100 - Screw plug



1410125

<https://www.phoenixcontact.com/us/products/1410125>

## Classifications

### ECLASS

ECLASS-13.0	23111190
ECLASS-15.0	27440208

### ETIM

ETIM 10.0	EC002943
-----------	----------

### UNSPSC

UNSPSC 21.0	31261500
-------------	----------

# PROT-MINMS-PA VPE100 - Screw plug



1410125

<https://www.phoenixcontact.com/us/products/1410125>

## Environmental product compliance

### EU RoHS

Fulfills EU RoHS substance requirements	Yes, No exemptions
---	--------------------

### China RoHS

Environment friendly use period (EFUP)	EFUP-E
	No hazardous substances above the limits

### EU REACH SVHC

REACH candidate substance (CAS No.)	No substance above 0.1 wt%
-------------------------------------	----------------------------

Phoenix Contact 2026 © - all rights reserved  
<https://www.phoenixcontact.com>

Phoenix Contact USA  
586 Fulling Mill Road  
Middletown, PA 17057, United States  
(+717) 944-1300  
[info@phoenixcon.com](mailto:info@phoenixcon.com)