

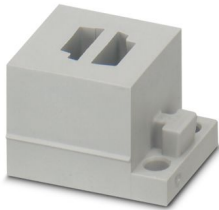
CES-STPG-GY-2ASI-LL - Cable sleeve



1410071

<https://www.phoenixcontact.com/us/products/1410071>

Please be informed that the data shown in this PDF document is generated from our online catalog. Please find the complete data in the user documentation. Our general terms of use for downloads are valid.



Cable sleeve, small, no. of conductors: 2, type: AS-i cable (Left Left), slotted, material: SEBS (halogen-free), color: gray, length: 29.5 mm, width: 19.5 mm, height: 17 mm

Product description

Slotted cable sleeve

Commercial data

Item number	1410071
Packing unit	10 pc
Minimum order quantity	1 pc
Sales key	BF67
Product key	AF7CCX
GTIN	4046356776226
Weight per piece (including packing)	7.12 g
Weight per piece (excluding packing)	7.12 g
Customs tariff number	40169997
Country of origin	PL

CES-STPG-GY-2ASI-LL - Cable sleeve

1410071

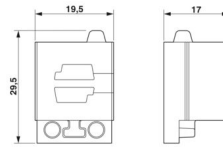
<https://www.phoenixcontact.com/us/products/1410071>

Technical data

Product properties

Product type	Cable sleeve
No. of conductors	2

Dimensions

Dimensional drawing	
Width	19.5 mm
Height	17 mm
Length	29.5 mm

Material specifications

Material	SEBS (halogen-free)
Flammability rating according to UL 94	V0

Characteristics

Conductor sealing range	AS-i cable
Seal size	small
Design, Format	AS-i cable
Design, Cable seal	slotted

Environmental and real-life conditions

Ambient conditions

Degree of protection	IP54
Ambient temperature (operation)	-40 °C ... 80 °C (static)

CES-STPG-GY-2ASI-LL - Cable sleeve

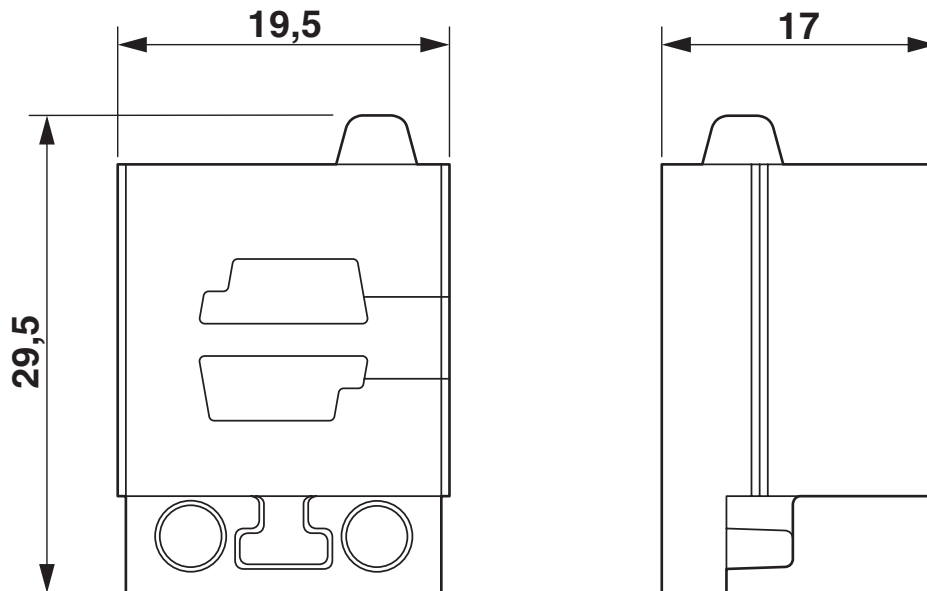


1410071

<https://www.phoenixcontact.com/us/products/1410071>

Drawings

Dimensional drawing



Dimensional drawing

CES-STPG-GY-2ASI-LL - Cable sleeve



1410071

<https://www.phoenixcontact.com/us/products/1410071>

Approvals

To download certificates, visit the product detail page: <https://www.phoenixcontact.com/us/products/1410071>



cUL Recognized

Approval ID: E255026



UL Recognized

Approval ID: E255026

CES-STPG-GY-2ASI-LL - Cable sleeve



1410071

<https://www.phoenixcontact.com/us/products/1410071>

Classifications

ECLASS

ECLASS-13.0	27144425
ECLASS-15.0	27144425

ETIM

ETIM 10.0	EC000451
-----------	----------

UNSPSC

UNSPSC 21.0	39121400
-------------	----------

CES-STPG-GY-2ASI-LL - Cable sleeve



1410071

<https://www.phoenixcontact.com/us/products/1410071>

Environmental product compliance

China RoHS

Environment friendly use period (EFUP)	EFUP-E
	No hazardous substances above the limits

EU REACH SVHC

REACH candidate substance (CAS No.)	No substance above 0.1 wt%
-------------------------------------	----------------------------

EF3.1 Climate Change

CO2e kg	0.057 kg CO2e
---------	---------------

Phoenix Contact 2026 © - all rights reserved
<https://www.phoenixcontact.com>

Phoenix Contact USA
586 Fulling Mill Road
Middletown, PA 17057, United States
(+717) 944-1300
info@phoenixcon.com