

HC-BBB 64-EBUC - Contact insert



1409914

<https://www.phoenixcontact.com/us/products/1409914>

Please be informed that the data shown in this PDF document is generated from our online catalog. Please find the complete data in the user documentation. Our general terms of use for downloads are valid.



Contact insert, number of positions: 64+PE, size: B24, number of connections per position: 1, Socket, Crimp connection, 500 V, 16 A, 0.5 mm² ... 4 mm²

Your advantages

- Shock and vibration-resistant in accordance with DIN EN 61373

Commercial data

Item number	1409914
Packing unit	1 pc
Minimum order quantity	1 pc
Sales key	BF61
Product key	AF7ABK
GTIN	4046356767224
Weight per piece (including packing)	91 g
Weight per piece (excluding packing)	91 g
Customs tariff number	85366990
Country of origin	CN

HC-BBB 64-EBUC - Contact insert



1409914

<https://www.phoenixcontact.com/us/products/1409914>

Technical data

Mounting

Assembly note	To ensure correct use, installation in housing with IP54 protection or better is required
---------------	---

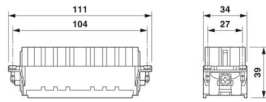
Product properties

Product type	Contact insert with a fixed no. of positions
Series	HC-BBB
Type	B24 B48
Number of positions	64
Connection profile	64+PE
Contact numbering	1 - 64
Number of connections per position	1
Contact material type	turned

Insulation characteristics

Overvoltage category	III
Degree of pollution	3

Dimensions

Dimensional drawing	
Width	34 mm
Height	39 mm
Length	111 mm
Drill hole distance, horizontal	104 mm
Drill hole distance, vertical	27 mm

Mechanical characteristics

Minimum housing height	76 mm
Contact diameter	2.5 mm

Connection data

Connection technology

Connection technology	Crimp connection
Number of connections per position	1
Connection in acc. with standard	IEC / EN

Conductor connection

Conductor cross-section	0.5 mm ² ... 4 mm ²
-------------------------	---

HC-BBB 64-EBUC - Contact insert



1409914

<https://www.phoenixcontact.com/us/products/1409914>

Connection cross section AWG	20 ... 12
Tightening torque	0.8 Nm ... 1.2 Nm (PE connection)
	0.5 Nm ... 0.8 Nm (Mounting screws for mounting in the HEAVYCON housing)
Stripping length of the individual wire	7.5 mm

Electrical properties

Rated voltage (III/3)	500 V
Rated surge voltage	6 kV
Rated current	16 A

Mechanical properties

Mechanical data

Insertion/withdrawal cycles	≥ 500
-----------------------------	-------

Material specifications

Flammability rating according to UL 94	V0
Contact material	Copper alloy
Contact surface material	Ag (alternatively Au)
Contact carrier material	PC
Standards/regulations	PC
	PC

Environmental and real-life conditions

Ambient conditions

Ambient temperature (operation)	-40 °C ... 125 °C (including heating up of contacts)
---------------------------------	--

Standards and regulations

Testing

Standards/regulations	PC: Fire protection in rail vehicles - requirement set R22 acc. to DIN EN 45545-2 (Risk level HL1 - HL2)
	PC: Fire protection in rail vehicles - requirement set R23 acc. to DIN EN 45545-2 (Risk level HL1 - HL3)

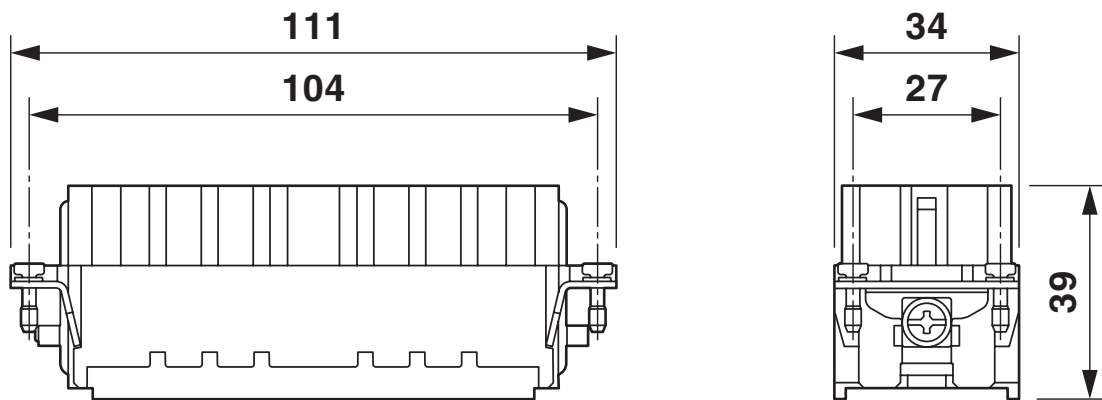
HC-BBB 64-EBUC - Contact insert

1409914

<https://www.phoenixcontact.com/us/products/1409914>

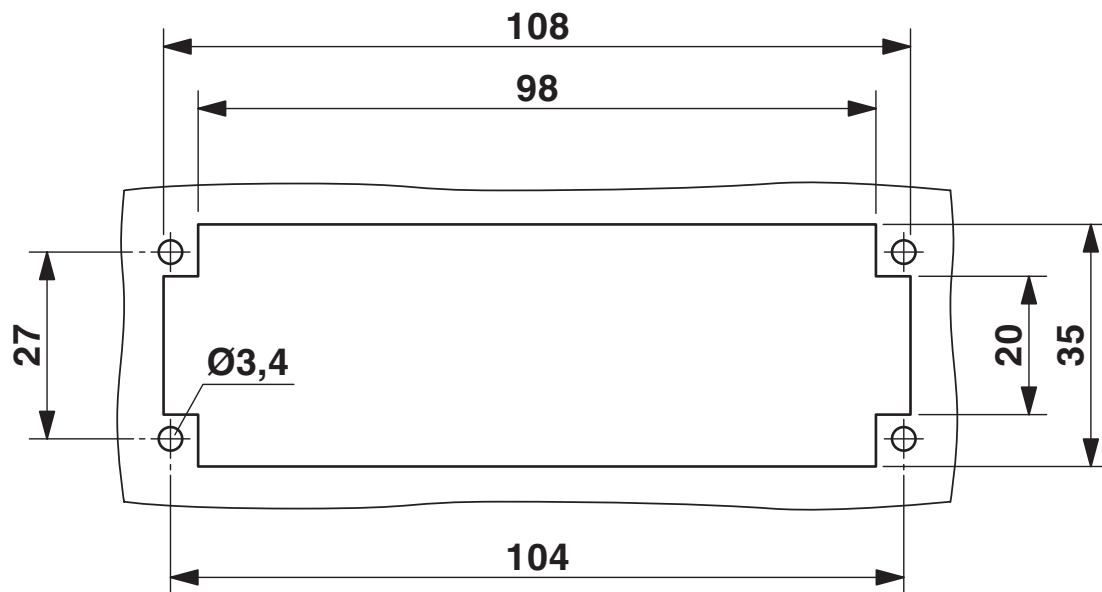
Drawings

Dimensional drawing



Dimensional drawing

Dimensional drawing



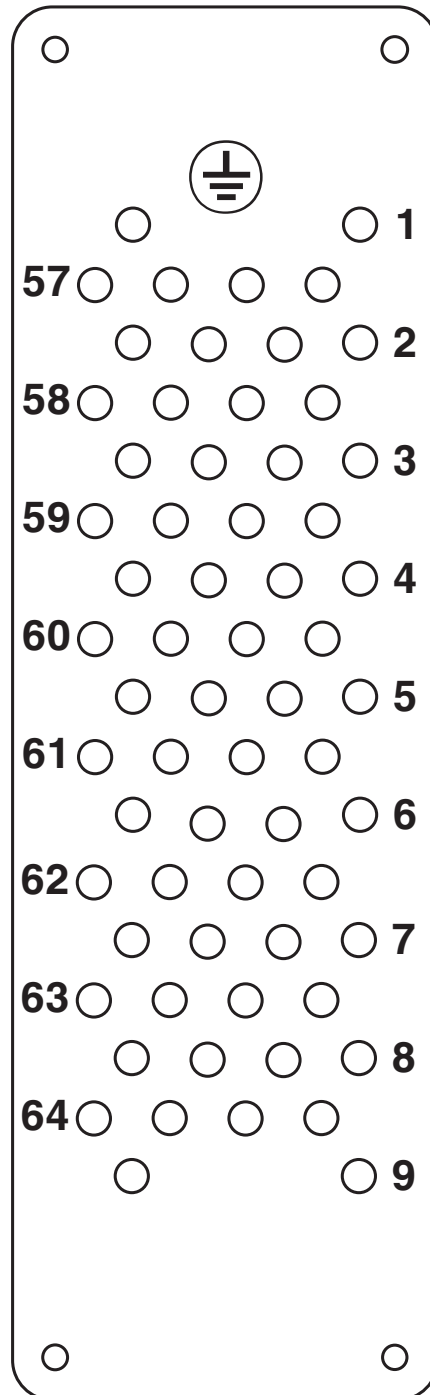
Mounting cutout when used without housing

HC-BBB 64-EBUC - Contact insert

1409914

<https://www.phoenixcontact.com/us/products/1409914>

Schematic diagram



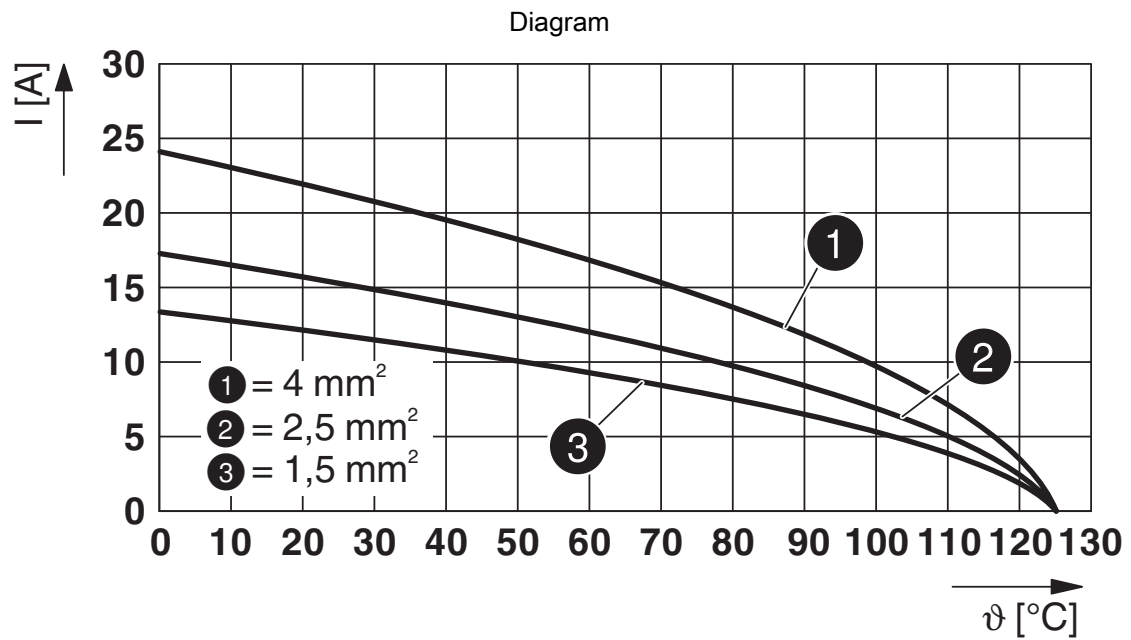
Connector pin assignment, connection side

HC-BBB 64-EBUC - Contact insert



1409914

<https://www.phoenixcontact.com/us/products/1409914>



Derating diagram

HC-BBB 64-EBUC - Contact insert



1409914

<https://www.phoenixcontact.com/us/products/1409914>

Approvals

🔗 To download certificates, visit the product detail page: <https://www.phoenixcontact.com/us/products/1409914>

DNV

Approval ID: TAE000037S



UL Recognized

Approval ID: E118976

	Nominal voltage U_N	Nominal current I_N	Cross section AWG	Cross section mm^2
keine				
	600 V	16 A	- 12	-

HC-BBB 64-EBUC - Contact insert



1409914

<https://www.phoenixcontact.com/us/products/1409914>

Classifications

ECLASS

ECLASS-13.0	27440205
ECLASS-15.0	27440205

ETIM

ETIM 10.0	EC000438
-----------	----------

UNSPSC

UNSPSC 21.0	39121500
-------------	----------

HC-BBB 64-EBUC - Contact insert



1409914

<https://www.phoenixcontact.com/us/products/1409914>

Environmental product compliance

EU RoHS

Fulfills EU RoHS substance requirements	Yes, No exemptions
---	--------------------

China RoHS

Environment friendly use period (EFUP)	EFUP-E
	No hazardous substances above the limits

EU REACH SVHC

REACH candidate substance (CAS No.)	No substance above 0.1 wt%
-------------------------------------	----------------------------

EF3.1 Climate Change

CO2e kg	8.619 kg CO2e
---------	---------------

Phoenix Contact 2026 © - all rights reserved
<https://www.phoenixcontact.com>

Phoenix Contact USA
586 Fulling Mill Road
Middletown, PA 17057, United States
(+717) 944-1300
info@phoenixcon.com