

# HC-B 16-TMS-EEE-PR-DI - Profile gasket



1409817

<https://www.phoenixcontact.com/us/products/1409817>

Please be informed that the data shown in this PDF document is generated from our online catalog. Please find the complete data in the user documentation. Our general terms of use for downloads are valid.

Profile gasket for sleeve housing type B16.....EEE



## Commercial data

|                                      |               |
|--------------------------------------|---------------|
| Item number                          | 1409817       |
| Packing unit                         | 10 pc         |
| Minimum order quantity               | 10 pc         |
| Sales key                            | BF66          |
| Product key                          | AF7APZ        |
| GTIN                                 | 4046356750929 |
| Weight per piece (including packing) | 5.99 g        |
| Weight per piece (excluding packing) | 5.49 g        |
| Customs tariff number                | 40169300      |
| Country of origin                    | DE            |

# HC-B 16-TMS-EEE-PR-DI - Profile gasket



1409817

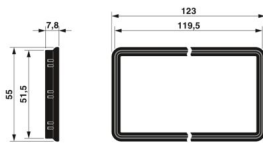
<https://www.phoenixcontact.com/us/products/1409817>

## Technical data

### Product properties

|              |      |
|--------------|------|
| Product type | Seal |
| Type         | B16  |

### Dimensions

|                     |  |
|---------------------|--|
| Dimensional drawing |  |
| Width               | 55 mm  |
| Height              | 7.8 mm   |
| Length              | 123 mm   |

### Material specifications

|          |                 |
|----------|-----------------|
| Material | NBR, conductive |
|----------|-----------------|

### Environmental and real-life conditions

#### Ambient conditions

|                                 |                   |
|---------------------------------|-------------------|
| Ambient temperature (operation) | -40 °C ... 125 °C |
|---------------------------------|-------------------|

# HC-B 16-TMS-EEE-PR-DI - Profile gasket

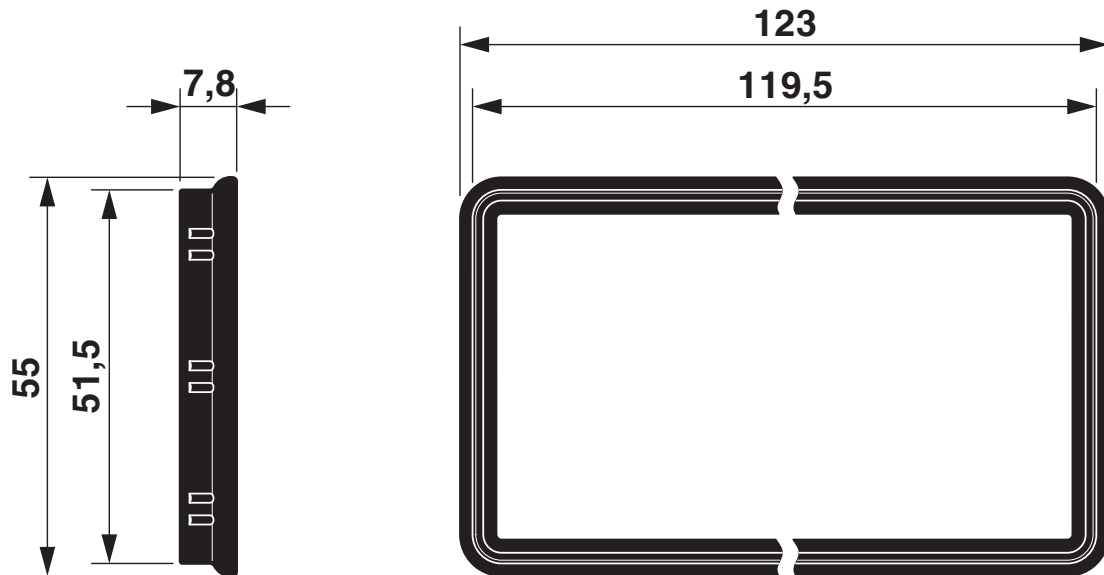


1409817

<https://www.phoenixcontact.com/us/products/1409817>

## Drawings

Dimensional drawing



Dimensional drawing

# HC-B 16-TMS-EEE-PR-DI - Profile gasket



1409817

<https://www.phoenixcontact.com/us/products/1409817>

## Approvals

To download certificates, visit the product detail page: <https://www.phoenixcontact.com/us/products/1409817>



**EAC**

Approval ID: RU C-DE.AI30.B.01102

# HC-B 16-TMS-EEE-PR-DI - Profile gasket



1409817

<https://www.phoenixcontact.com/us/products/1409817>

## Classifications

### ECLASS

|             |          |
|-------------|----------|
| ECLASS-13.0 | 23071590 |
| ECLASS-15.0 | 27440292 |

### ETIM

|           |          |
|-----------|----------|
| ETIM 10.0 | EC002943 |
|-----------|----------|

### UNSPSC

|             |          |
|-------------|----------|
| UNSPSC 21.0 | 31401600 |
|-------------|----------|

# HC-B 16-TMS-EEE-PR-DI - Profile gasket



1409817

<https://www.phoenixcontact.com/us/products/1409817>

## Environmental product compliance

### EU RoHS

|   |                    |
|---|--------------------|
| Fulfills EU RoHS substance requirements | Yes, No exemptions |
|---|--------------------|

### China RoHS

|  |  |
|--|--|
| Environment friendly use period (EFUP) | EFUP-E                                   |
|  | No hazardous substances above the limits |

### EU REACH SVHC

|                                     |                            |
|-------------------------------------|----------------------------|
| REACH candidate substance (CAS No.) | No substance above 0.1 wt% |
|-------------------------------------|----------------------------|

Phoenix Contact 2026 © - all rights reserved  
<https://www.phoenixcontact.com>

Phoenix Contact USA  
586 Fulling Mill Road  
Middletown, PA 17057, United States  
(+717) 944-1300  
[info@phoenixcon.com](mailto:info@phoenixcon.com)