

HC-B 16-TFL-76/GESCH - Housing

1409781

<https://www.phoenixcontact.com/us/products/1409781>

Please be informed that the data shown in this PDF document is generated from our online catalog. Please find the complete data in the user documentation. Our general terms of use for downloads are valid.



Sleeve housing B16, for single locking latch, material: Die-cast aluminum, cable outlets: 0, height: 76 mm, cable gland: none, Without thread opening for screw connection

Commercial data

| | |
|--------------------------------------|---------------|
| Item number | 1409781 |
| Packing unit | 1 pc |
| Minimum order quantity | 5 pc |
| Product key | AF7AAC |
| GTIN | 4046356734141 |
| Weight per piece (including packing) | 219.71 g |
| Weight per piece (excluding packing) | 219.71 g |
| Country of origin | DE |

HC-B 16-TFL-76/GESCH - Housing

1409781

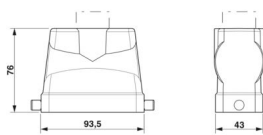
<https://www.phoenixcontact.com/us/products/1409781>

Technical data

Product properties

| | |
|----------------------|----------------------------|
| Product type | Housing with locking latch |
| Housing type | Sleeve housing |
| Type | B16 |
| No. of cable outlets | 0 |
| Pg screw connection | none |

Dimensions

| | |
|---------------------|--|
| Dimensional drawing |  |
| Width | 43 mm |
| Height | 76 mm |
| Length | 94 mm |

Material specifications

| | |
|--------------------------|---------------------|
| Housing material | Die-cast aluminum |
| Housing surface material | Powder-coated, gray |

Environmental and real-life conditions

Ambient conditions

| | |
|---------------------------------|-------------------|
| Degree of protection | IP65 |
| Ambient temperature (operation) | -40 °C ... 125 °C |

HC-B 16-TFL-76/GESCH - Housing

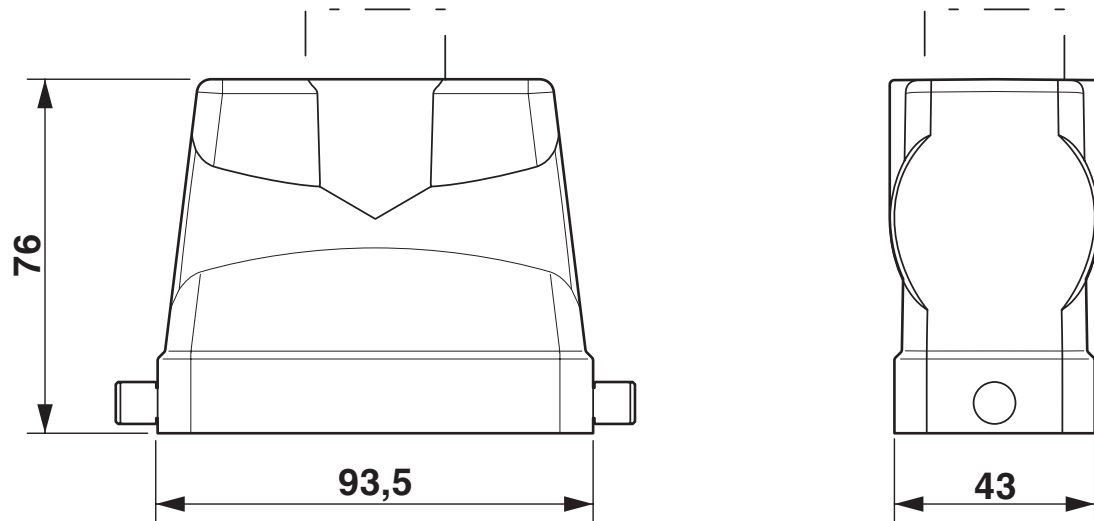
1409781

<https://www.phoenixcontact.com/us/products/1409781>



Drawings

Dimensional drawing



Dimensional drawing

HC-B 16-TFL-76/GESCH - Housing



1409781

<https://www.phoenixcontact.com/us/products/1409781>

Classifications

ECLASS

| | |
|-------------|----------|
| ECLASS-13.0 | 27440202 |
| ECLASS-15.0 | 27440202 |

HC-B 16-TFL-76/GESCH - Housing



1409781

<https://www.phoenixcontact.com/us/products/1409781>

Environmental product compliance

EU RoHS

| | |
|---|--------------------|
| Fulfills EU RoHS substance requirements | Yes, No exemptions |
|---|--------------------|

China RoHS

| | |
|--|--|
| Environment friendly use period (EFUP) | EFUP-E |
| | No hazardous substances above the limits |

EU REACH SVHC

| | |
|-------------------------------------|----------------------------|
| REACH candidate substance (CAS No.) | No substance above 0.1 wt% |
|-------------------------------------|----------------------------|

Phoenix Contact 2026 © - all rights reserved
<https://www.phoenixcontact.com>

Phoenix Contact USA
586 Fulling Mill Road
Middletown, PA 17057, United States
(+717) 944-1300
info@phoenixcon.com